

## CLC106

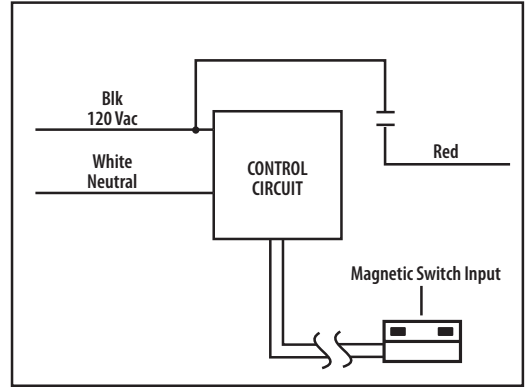
### CLOSET LIGHT SWITCH

Closet Light Relay 5 Amp SPST, Separated Class 2 Magnetic Door Switch Input, 120 Vac Power



**Contact Ratings:**  
 5 Amp Resistive @ 120 Vac  
 5 Amp Ballast @ 120 Vac  
 5 Amp Tungsten @ 120 Vac

**Power Usage:**  
 21 mA @ 120 Vac Max.



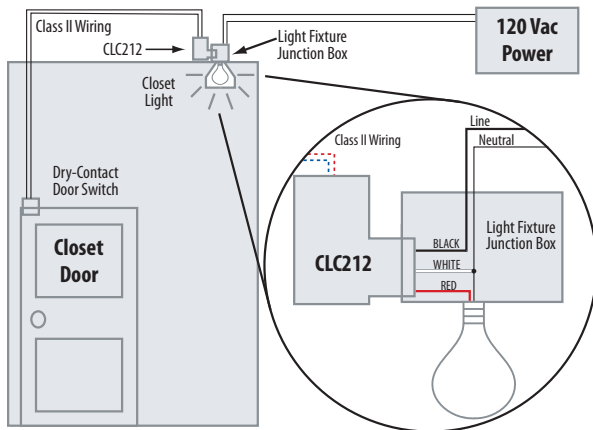
#### SPECIFICATIONS

- # Relays & Contact Type: One (1) SPST Continuous Duty Coil
- Expected Relay Life: 10 million cycles minimum mechanical
- Operating Temperature: -30 to 140° F
- Dimensions: 2.90" x 1.50" x 1.05" with Retaining Clip for 1/2" Knockout
- Wires: 16", 600V Rated (120 Vac Connections)  
 6' Leads on Magnetic Door Switch
- Approvals: UL Listed, UL916, C-UL, CE
- Housing Rating: Plenum, NEMA 1
- Gold Flash: No
- Override Switch: No

## NOTES

### CLOSET LIGHTING

Safe, low voltage, Class II wiring can be run to a dry contact switch on the door (or any place desired). Does not require a transformer to power the relay.



### CLOSET LIGHT SWITCHES

- CLC106
- CLC212