

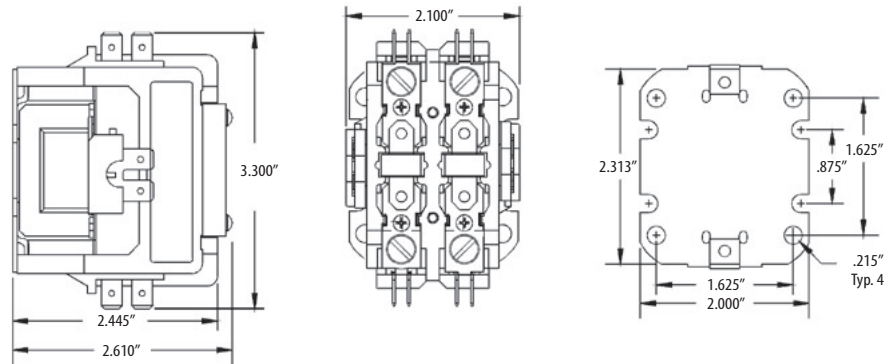
2 POLE CONTACTORS - D SERIES

Definite Purpose Contactors 24 Vac, 120 Vac, or 208/240 Vac Coils, 30 or 40 FLA



Functional Devices, Inc. A600C 2005

Poles: 2
FLA Rating: 30 or 40 FLA
Line & Load Terminals: Box Lug & Dual .250 QC
Coil Terminals: Dual .250 QC (2)
Wire Size AWG Min/Max: 14-4 Cu/Al
Recommended Tightening Torque: 40 in. lbs.
Insulation System: 130 °C Class B
Temperature Range: -40 °C to 65 °C
Weight: .7 lbs.
Approvals: UL Recognized, CE/Semko
Optional Auxiliary Switches: None Currently Available



COIL RATINGS

MODEL #	CN24A2D30	CN24A2D40	CN01A2D30	CN01A2D40	CN02A2D30
COIL VOLTAGE	24 Vac	24 Vac	120 Vac	120 Vac	208/240 Vac
INRUSH @ 50Hz	37 VA	37 VA	37 VA	37 VA	37 VA
SEALED @ 50Hz	8 VA	8 VA	8 VA	8 VA	8 VA
INRUSH @ 60Hz	35 VA	35 VA	35 VA	35 VA	35 VA
SEALED @ 60Hz	7 VA	7 VA	7 VA	7 VA	7 VA
DC RESISTANCE	11 Ohms	11 Ohms	250 Ohms	250 Ohms	1,000 Ohms
PULL-IN	18 Vac	18 Vac	88 Vac	88 Vac	177 Vac
DROP OUT RANGE	6-15 Vac	6-15 Vac	20-70 Vac	20-70 Vac	40-140 Vac

CONTACT RATINGS

FULL-LOAD AMP	30 FLA @ 240-600 Vac	40 FLA @ 240-600 Vac	30 FLA @ 240-600 Vac	40 FLA @ 240-600 Vac	30 FLA @ 240-600 Vac
LOCKED-ROTOR AMP	150 LRA @ 240/277 Vac 125 LRA @ 480 Vac 100 LRA @ 600 Vac	240 LRA @ 240/277 Vac 200 LRA @ 480 Vac 160 LRA @ 600 Vac	150 LRA @ 240/277 Vac 125 LRA @ 480 Vac 100 LRA @ 600 Vac	240 LRA @ 240/277 Vac 200 LRA @ 480 Vac 160 LRA @ 600 Vac	150 LRA @ 240/277 Vac 125 LRA @ 480 Vac 100 LRA @ 600 Vac
RESISTIVE	40 Amps @ 240-600 Vac	50 Amps @ 240-600 Vac	40 Amps @ 240-600 Vac	50 Amps @ 240-600 Vac	40 Amps @ 240-600 Vac
HP SINGLE PHASE	2 HP @ 120 Vac 3 HP @ 240 Vac	2 HP @ 120 Vac 3 HP @ 240 Vac	2 HP @ 120 Vac 3 HP @ 240 Vac	2 HP @ 120 Vac 3 HP @ 240 Vac	2 HP @ 120 Vac 3 HP @ 240 Vac
TUNGSTEN	28 A @ 480 Vac	-	28 A @ 480 Vac	-	28 A @ 480 Vac
BALLAST	28 A @ 480 Vac	-	28 A @ 480 Vac	-	28 A @ 480 Vac