

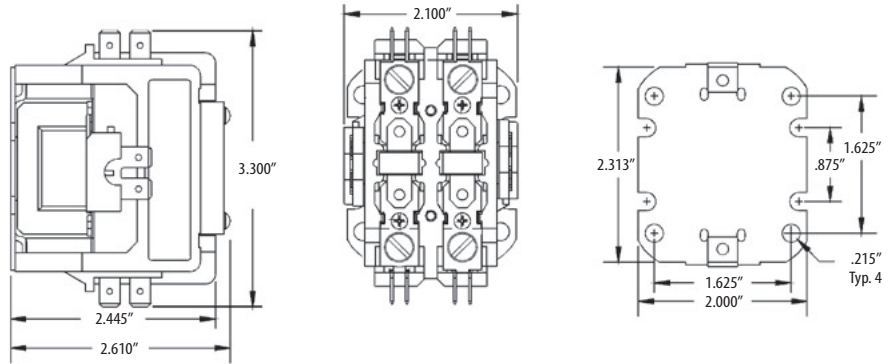
## 2 POLE CONTACTORS - D SERIES

Definite Purpose Contactors 24 Vac, 120 Vac, or 208/240 Vac Coils, 30 or 40 FLA



Functional Devices, Inc. A600C 2005

**Poles:** 2  
**FLA Rating:** 30 or 40 FLA  
**Line & Load Terminals:** Box Lug & Dual .250 QC  
**Coil Terminals:** Dual .250 QC (2)  
**Wire Size AWG Min/Max:** 14-4 Cu/Al  
**Recommended Tightening Torque:** 40 in. lbs.  
**Insulation System:** 130 °C Class B  
**Temperature Range:** -40 °C to 65 °C  
**Weight:** .7 lbs.  
**Approvals:** UL Recognized, CE/Semko  
**Optional Auxiliary Switches:** None Currently Available



### COIL RATINGS

MODEL #	CN24A2D30	CN24A2D40	CN01A2D30	CN01A2D40	CN02A2D30
<b>COIL VOLTAGE</b>	24 Vac	24 Vac	120 Vac	120 Vac	208/240 Vac
<b>INRUSH @ 50Hz</b>	37 VA	37 VA	37 VA	37 VA	37 VA
<b>SEALED @ 50Hz</b>	8 VA	8 VA	8 VA	8 VA	8 VA
<b>INRUSH @ 60Hz</b>	35 VA	35 VA	35 VA	35 VA	35 VA
<b>SEALED @ 60Hz</b>	7 VA	7 VA	7 VA	7 VA	7 VA
<b>DC RESISTANCE</b>	11 Ohms	11 Ohms	250 Ohms	250 Ohms	1,000 Ohms
<b>PULL-IN</b>	18 Vac	18 Vac	88 Vac	88 Vac	177 Vac
<b>DROP OUT RANGE</b>	6-15 Vac	6-15 Vac	20-70 Vac	20-70 Vac	40-140 Vac

### CONTACT RATINGS

<b>FULL-LOAD AMP</b>	30 FLA @ 240-600 Vac	40 FLA @ 240-600 Vac	30 FLA @ 240-600 Vac	40 FLA @ 240-600 Vac	30 FLA @ 240-600 Vac
<b>LOCKED-ROTOR AMP</b>	150 LRA @ 240/277 Vac 125 LRA @ 480 Vac 100 LRA @ 600 Vac	240 LRA @ 240/277 Vac 200 LRA @ 480 Vac 160 LRA @ 600 Vac	150 LRA @ 240/277 Vac 125 LRA @ 480 Vac 100 LRA @ 600 Vac	240 LRA @ 240/277 Vac 200 LRA @ 480 Vac 160 LRA @ 600 Vac	150 LRA @ 240/277 Vac 125 LRA @ 480 Vac 100 LRA @ 600 Vac
<b>RESISTIVE</b>	40 Amps @ 240-600 Vac	50 Amps @ 240-600 Vac	40 Amps @ 240-600 Vac	50 Amps @ 240-600 Vac	40 Amps @ 240-600 Vac
<b>HP SINGLE PHASE</b>	2 HP @ 120 Vac 3 HP @ 240 Vac	2 HP @ 120 Vac 3 HP @ 240 Vac	2 HP @ 120 Vac 3 HP @ 240 Vac	2 HP @ 120 Vac 3 HP @ 240 Vac	2 HP @ 120 Vac 3 HP @ 240 Vac
<b>TUNGSTEN</b>	28 A @ 480 Vac	-	28 A @ 480 Vac	-	28 A @ 480 Vac
<b>BALLAST</b>	28 A @ 480 Vac	-	28 A @ 480 Vac	-	28 A @ 480 Vac