



Functional Devices, Inc.  
 310 South Union Street  
 Russiaville, IN 46979  
 www.functionaldevices.com

Office: (765) 883-5538  
 Sales: (800) 888-5538  
 Fax: (765) 883-7505  
 Email: sales@functionaldevices.com

Manufacturing quality products in the United States of America since 1969

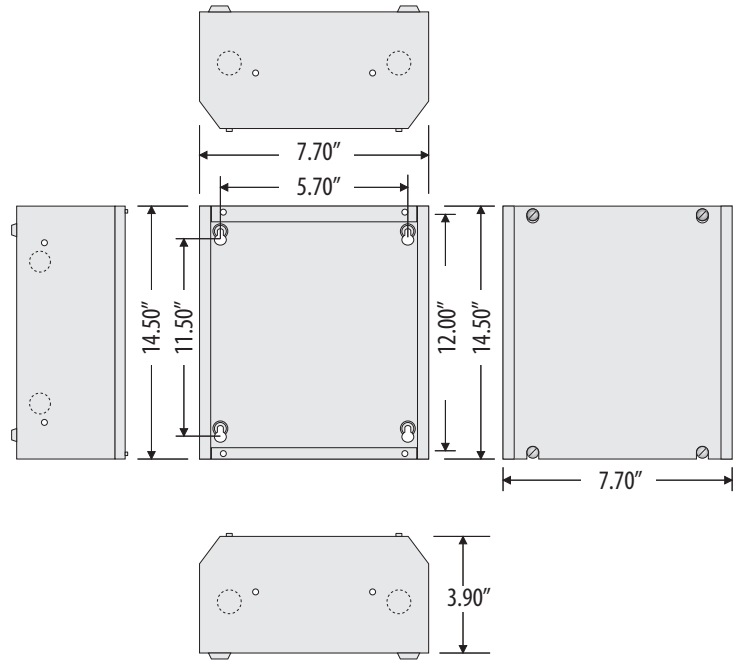
**MH1200 SERIES**

Metal Housing, NEMA 1, 8.50" H x 7.70" W x 3.90" D



Functional Devices, Inc. A600C 2005

**Construction:** 18 Gauge Steel  
**Weight:** 3.50 lbs.  
**Cover Type:** Screw Down Cover  
**Approvals:** UL Listed, C-UL Canada



**MH1200 SERIES ASSEMBLIES**

| ENCLOSURE + TRACK/SUB-PANEL | = | MODEL # |
|-----------------------------|---|---------|
| MH1200 MT4-8                | = | MH1210  |
| MH1200 MT212-8              | = | MH1220  |

**Notes:**