



Functional Devices, Inc.  
 310 South Union Street  
 Russiaville, IN 46979  
 www.functionaldevices.com

Office: (765) 883-5538  
 Sales: (800) 888-5538  
 Fax: (765) 883-7505  
 Email: sales@functionaldevices.com

Manufacturing quality products in the United States of America since 1969

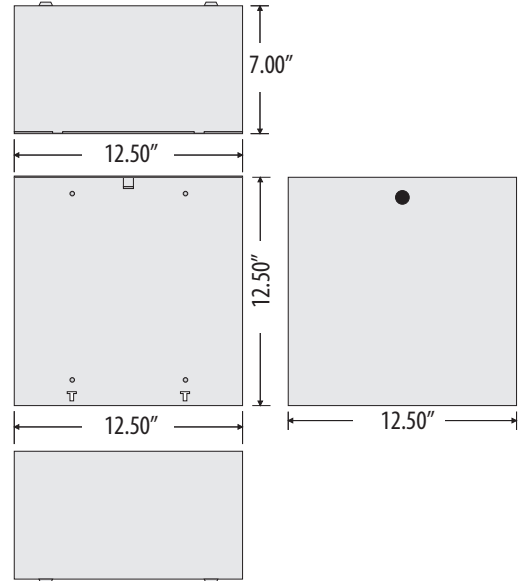
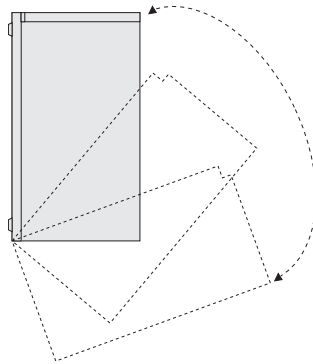
**MH3300K SERIES**

Metal Housing, NEMA 1, 12.50" H x 12.50" W x 7.00" D



Functional Devices, Inc. A600C 2005

**Construction:** 18 Gauge Steel  
**Weight:** 9.20 lbs.  
**Cover Type:** Vertical Lift Key Latch Cover  
**Approvals:** UL Listed, C-UL Canada



**MH3300K SERIES ASSEMBLIES**

ENCLOSURE +	TRACK/SUB-PANEL =	MODEL #
MH3300K	SP3303	MH3303K
MH3300K	SP3304	MH3304K

**Notes:**