

RIB023P

20 AMP POWER CONTROL RELAY

Enclosed Relay 20 Amp 3PST-N/O with 208-277 Vac Coil



SPECIFICATIONS

Relays & Contact Type: One (1) 3PST Continuous Duty Coil
Expected Relay Life: 10 million cycles minimum mechanical
Operating Temperature: -30 to 140° F
Operate Time: 20mS
Relay Status: LED On = Activated
Dimensions: 4.00" x 4.00" x 1.80" with .50" NPT Nipple
Wires: 16", 600V Rated
Approvals: UL Listed, UL916, UL864, C-UL
 California State Fire Marshal, CE
Housing Rating: Plenum, NEMA 1
Gold Flash: No
Override Switch: No

Contact Ratings:

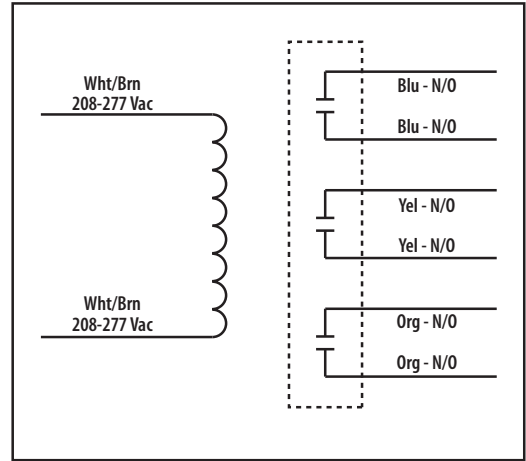
20 Amp Resistive @ 300 Vac, 28 Vdc
 20 Amp Ballast @ 277-480 Vac
 15 Amp Resistive @ 600 Vac
 770 VA Pilot Duty @ 120 Vac, 1 Phase
 1158 VA Pilot Duty @ 240 Vac, 1 Phase
 1110 VA Pilot Duty @ 277 Vac, 1 Phase
 1640 VA Pilot Duty @ 480 Vac, 1 Phase
 1466 VA Pilot Duty @ 240 Vac, 3 Phase
 2112 VA Pilot Duty @ 480 Vac, 3 Phase
 Heavy Pilot Duty @ 600 Vac
 7.5 HP @ 480 Vac, 3 Phase
 5 HP @ 240 Vac, 3 Phase
 3 HP @ 480-600 Vac, 1 Phase
 2 HP @ 240-277 Vac, 1 Phase
 1 HP @ 120 Vac, 1 Phase

Coil Current:

170 mA @ 208-277 Vac

Coil Voltage Input:

208-277 Vac ; 50-60 Hz
 Drop Out = 60 Vac
 Pull In = 160 Vac



Notes:

> Order Normally Closed by adding "-NC" to end of model number

NOTES