

RIBMU1SM

15 AMP PILOT CONTROL RELAY

4.00" Track Mount Relay 15 Amp SPST + Override + Monitor with 10-30 Vac/dc/120 Vac Coil



SPECIFICATIONS

Relays & Contact Type: One (1) SPST Continuous Duty Coil
Expected Relay Life: 10 million cycles minimum mechanical
Operating Temperature: -30 to 140° F
Operate Time: 20mS
Relay Status: LED On = Activated
Dimensions: 2.000" x 4.000" x 1.750"
Track Mount: 4.000", See MT4 Series on page 148
MT4 Mounting Track Sold Separately
Approvals: UL Listed, UL916, UL864, C-UL
 California State Fire Marshal, CE
Gold Flash: Yes
Override Switch: Yes (with Monitor)

Contact Ratings:

15 Amp Resistive @ 150 Vac
 10 Amp Resistive @ 277 Vac
 480 VA Pilot Duty @ 277 Vac
 480 VA Ballast @ 277 Vac
 600 Watt Tungsten @ 120 Vac N/O
 240 Watt Tungsten @ 120 Vac N/C
 1/3 HP for N/O @ 120-240 Vac
 1/6 HP for N/C @ 120-240 Vac
 1/4 HP for N/O @ 277 Vac
 1/8 HP for N/C @ 277 Vac

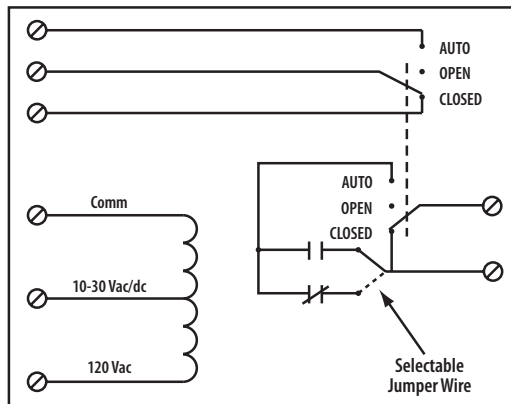
Coil Current:

30 mA @ 10 Vac 12 mA @ 10 Vdc
 32 mA @ 12 Vac 14 mA @ 12 Vdc
 42 mA @ 24 Vac 16 mA @ 24 Vdc
 50 mA @ 30 Vac 18 mA @ 30 Vdc
 25 mA @ 120 Vac

Coil Voltage Input:

10-30 Vac/dc ; 120 Vac ; 50-60 Hz
 Drop Out = 2.1 Vac / 2.8 Vdc
 Pull In = 9 Vac / 10 Vdc

Notes: » Normally Open or Normally Closed selected by yellow jumper wire
 » Second pole of override switch can be connected to digital-in of controller to report position of override switch
 » Rating of second pole is 50 Vac/dc, 0.25 Amp max

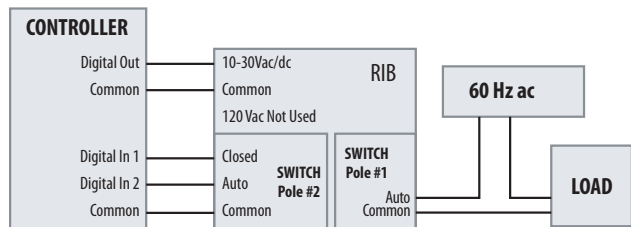


NOTES

MONITORING SWITCH POSITION WITH A CONTROLLER

Digital In 1 and 2 of the controller can be used to monitor the position of the HOA switch.

The controller can be programmed to log the status of the HOA and provide a warning if the switch is in an override position.



ENCLOSED RELAYS

10 AMP
 RIBU1SM
 RIBH1SM

TRACK RELAYS

15 AMP
 RIBMU1SM
 RIBMH1SM
 RIBMNU1SM
 RIBMNH1SM

DI1	DI2	RESULT
Open	Open	Overridden Off
Open	Closed	Auto
Closed	Open	Overridden On
Closed	Closed	Error Condition