

RIBMU2C

15 AMP PILOT CONTROL RELAY 4.00" Track Mount Relays 15 Amp 2 SPDT with 10-30 Vac/dc/120 Vac Coil



SPECIFICATIONS

Relays & Contact Type: Two (2) SPDT Continuous Duty Coil
Expected Relay Life: 10 million cycles minimum mechanical
Operating Temperature: -30 to 140° F
Operate Time: 20ms
Relay Status: LED On = Activated
Dimensions: 2.450" x 4.000" x 1.750"
Track Mount: 4.000"; See MT4 Series on page 148
Approvals: UL Listed, UL916, UL864, C-UL
 California State Fire Marshal, CE
Gold Flash: Yes
Override Switch: No

Contact Ratings:

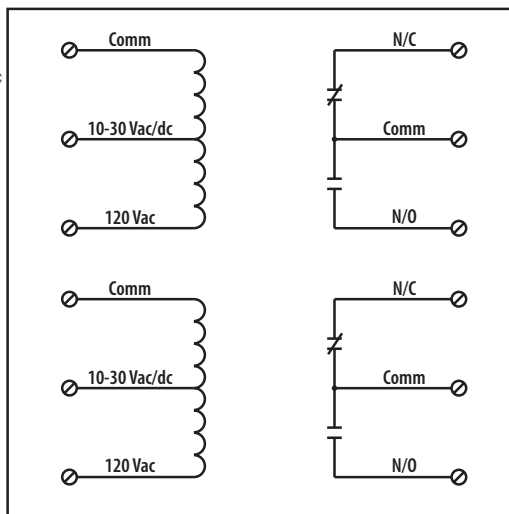
15 Amp Inductive @ 150 Vac
 15 Amp Resistive @ 150 Vac, 28 Vdc
 10 Amp Resistive @ 120-277 Vac, 28 Vdc
 480 VA Pilot Duty @ 240-277 Vac
 480 VA Ballast @ 277 Vac
 600 Watt Tungsten @ 120 Vac N/O
 240 Watt Tungsten @ 120 Vac N/C
 1/3 HP for N/O @ 120-240 Vac
 1/6 HP for N/C @ 120-240 Vac
 1/4 HP for N/O @ 277 Vac
 1/8 HP for N/C @ 277 Vac

Coil Current:

30 mA @ 10 Vac 12 mA @ 10 Vdc
 32 mA @ 12 Vac 14 mA @ 12 Vdc
 42 mA @ 24 Vac 16 mA @ 24 Vdc
 50 mA @ 30 Vac 18 mA @ 30 Vdc
 25 mA @ 120 Vac

Coil Voltage Input:

10-30 Vac/dc ; 120 Vac ; 50-60 Hz
 Drop Out = 2.1 Vac / 2.8 Vdc
 Pull In = 9 Vac / 10 Vdc



NOTES