

TR300VA002

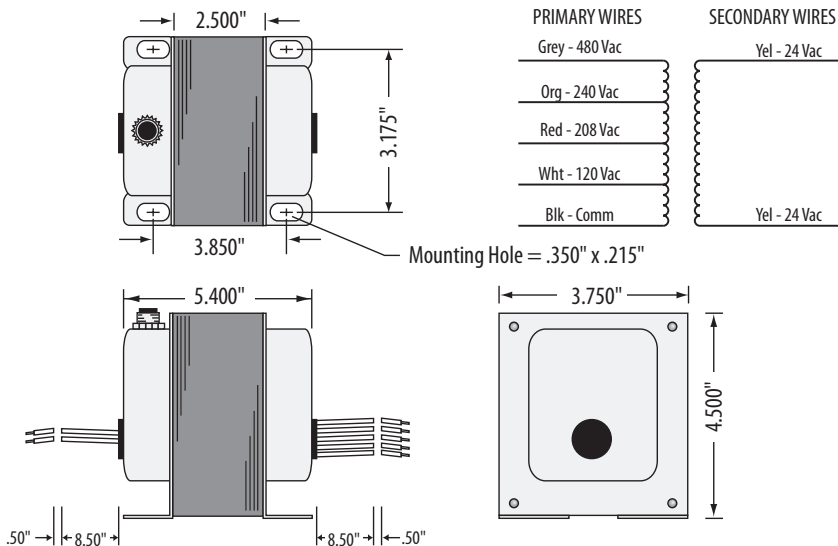
TRANSFORMER

Transformer 300 VA, 480/240/208/120 to 24 Vac, Circuit Breaker, Foot Mount, Dual End-Bell Openings



SPECIFICATIONS

- VA Rating: 300
- Frequency: 50/60 Hz
- Mounting: Foot
- Over Current Protection: Circuit Breaker
- Dimensions: 4.500" x 3.750" x 5.400"
- Wire Length: 8.5" Typical w/ .5" Strip
- Operating Temperature: -30 to 140° F
- MTBF: 100,000 Hours @ 77° F
- Construction: Split-Bobbin
- Weight: 12.10 lbs.
- Approvals: UL506 Component Recognized, C-UL, CE, RoHS



NOTES