

TR50VA018

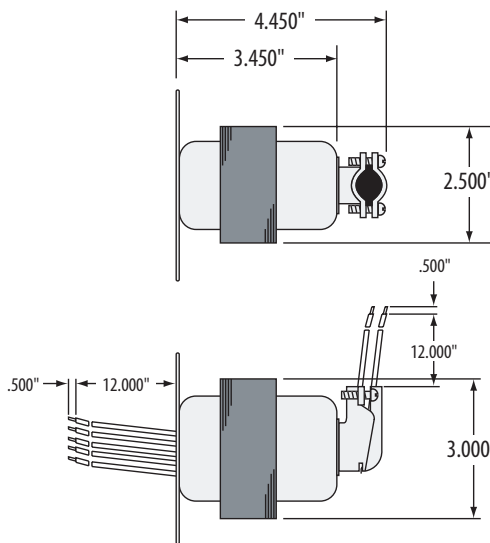
TRANSFORMER

Transformer 50 VA, 480/277/240/208 to 120 Vac, 90° Conduit Connector and Mounting Plate Opening

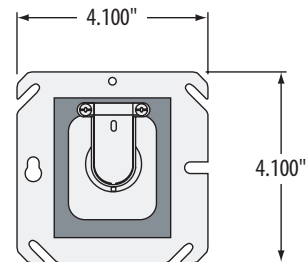


SPECIFICATIONS

- VA Rating: 50
- Frequency: 50/60 Hz
- Mounting: Mounting Plate
- Over Current Protection: None
- Dimensions: 3.050" x 2.525" x 3.475"
- Wire Length: 12.0" Typical w/ .5" Strip
- Operating Temperature: -30 to 140° F
- MTBF: 100,000 Hours @ 77° F
- Construction: Split-Bobbin
- Weight: 3.20 lbs.
- Approvals: UL506 Listed General Purpose
 C-UL, CE, RoHS



PRIMARY WIRES	SECONDARY WIRES
Blu - 480 Vac	Blk - 120 Vac
Brn - 277 Vac	
Prp - 240 Vac	
Red - 208 Vac	
Wht - Comm	Blk - 120 Vac



NOTES