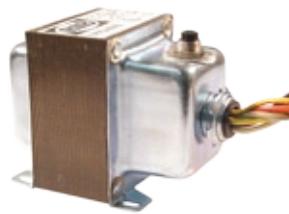


TR75VA005

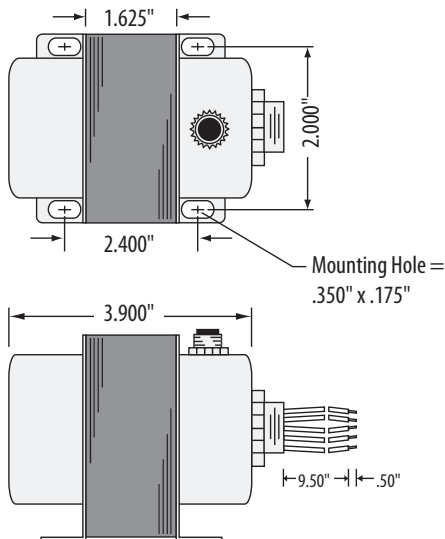
TRANSFORMER

Transformer 75 VA, 480/240/208/120 to 24 Vac, Circuit Breaker, Foot and Single Threaded Hub Mount



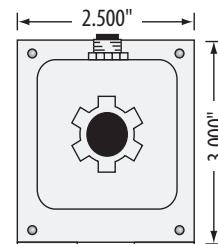
SPECIFICATIONS

- VA Rating: 75
- Frequency: 50/60 Hz
- Mounting: Foot & Single Threaded Hub
- Over Current Protection: Circuit Breaker
- Dimensions: 3.000" x 2.500" x 3.900"
(w/ .500" NPT Hub)
- Wire Length: 9.5" Typical w/ .5" Strip
- Operating Temperature: -30 to 140° F
- MTBF: 100,000 Hours @ 77° F
- Construction: Split-Bobbin
- Weight: 3.62 lbs.
- Approvals: Class II UL1585 Listed, C-UL, CE, RoHS



PRIMARY WIRES	SECONDARY WIRES
Gry - 480 Vac	Yel/Wht - 24 Vac*
Org - 240 Vac	
Red - 208 Vac	
Wht - 120 Vac	
Blk - Comm	Yel - Comm

*Secondary Yel/Wht wire in phase with Primary Blk wire.



NOTES