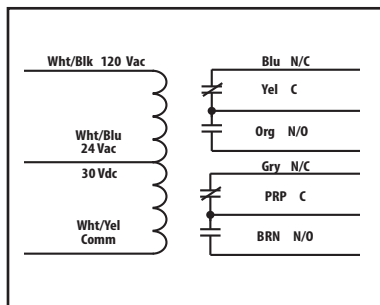


**20 AMP POWER CONTROL RELAYS**

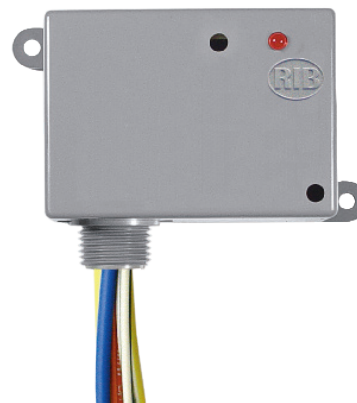
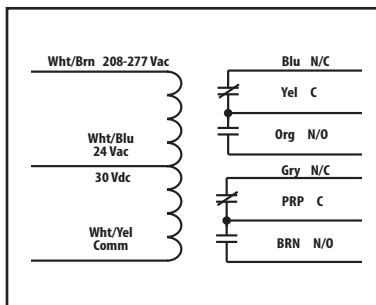
**RIB2401B2G**

Enclosed Relay 20 Amp DPDT with 24 Vac/dc/120 Vac Coil



**RIB2402B2G**

Enclosed Relay 20 Amp DPDT with 24 Vac/dc/208-277 Vac Coil



Made in USA  
Meets  
"Buy American"  
of ARRA 2009

RELAYS

**SPECIFICATIONS**

**# Relays & Contact Type:** DPDT Continuous Duty Coil  
**Expected Relay Life:** 10 million cycles minimum mechanical  
**Operating Temperature:** -30 to 140° F  
**Humidity Range:** 5 to 95% (noncondensing)  
**Operate Time:** 18ms  
**Relay Status:** LED On = Activated  
**Dimensions:** 2.30" x 3.20" x 1.80" with .75" NPT Nipple  
**Wires:** 16", 600V Rated  
**Approvals:** UL Listed, UL916, C-UL  
**Housing Rating:** UL Accepted for Use in Plenum, NEMA 1  
**Gold Flash:** No  
**Override Switch:** No

**Contact Ratings:**  
 20 A @ 277 Vac General Purpose  
 20 A @ 28 Vdc  
 1 HP @ 120 Vac  
 2 HP @ 277 Vac  
 2 HP @ 240 Vac (N/O)  
 1 HP @ 208 Vac (N/O)  
 20 A Ballast @ 277 Vac  
 15 A Tungsten @ 120 Vac (N/O)  
 5 A @ 480 Vac Resistive  
 16 A @ 277 Vac Electronic Ballast (N/O)  
 1110 VA Pilot Duty @ 277 Vac  
 1158 VA Pilot Duty @ 240 Vac (N/O)  
 770 VA Pilot Duty @ 208 Vac (N/O)  
 770 VA Pilot Duty @ 120 Vac  
 2 A Tungsten @ 120 Vac (N/C)

**Coil Current:**  
 145 mA max @ 24 Vac  
 65 mA max @ 30 Vdc  
 140 mA max @ 208-277 Vac  
 107 @ 120 Vac (RIB2402B2)

**Coil Voltage Input:**  
 24 Vac/dc ; 120 Vac ; 50-60 Hz (RIB2401B2G)  
 24 Vac/dc ; 208-277 Vac ; 50-60 Hz (RIB2402B2G)  
 Drop Out = 13.5 Vac / 15.5 Vdc  
 Pull In = 18 Vac / 22 Vdc