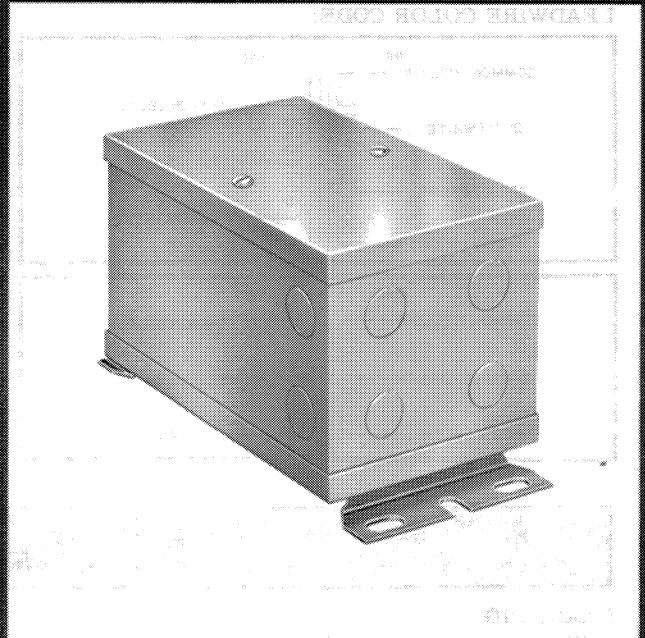


Honeywell

HIGH CAPACITY TRANSFORMERS

The AT92 Transformers are Underwriters' Laboratories, Inc. listed for general purpose use where high capacity with good regulation is required.

- Core and coils are potted in a heavy sheet metal box.
- Cover removable for leadwire connections.
- Color coded leads for quick circuit identification.
- Eight knockouts for 1/2 inch conduit are positioned for convenient installation.



AT92A,B,C

SPECIFICATIONS

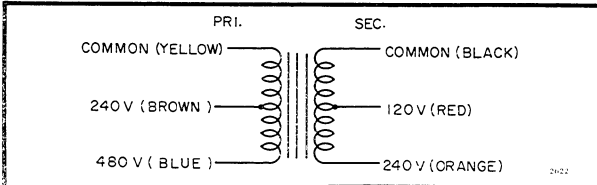
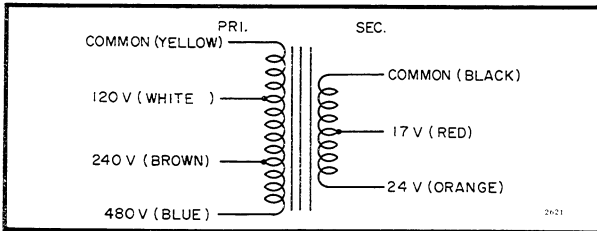
MODELS:

MODELS	PRIMARY VOLTAGE	SECONDARY VOLTAGE	CAPACITY
AT92A	120/240/ 480	17/24	100 va
AT92B	240/480	120/240	100 va
AT92C	120/240/ 480	17/24	250 va

PRIMARY CONNECTIONS: Color coded leadwires (see drawing below).

SECONDARY CONNECTIONS: Color coded leadwires (see drawing below).

LEADWIRE COLOR CODE:



FREQUENCY: 60 Hz.

MAXIMUM AMBIENT TEMPERATURE: 100 F.

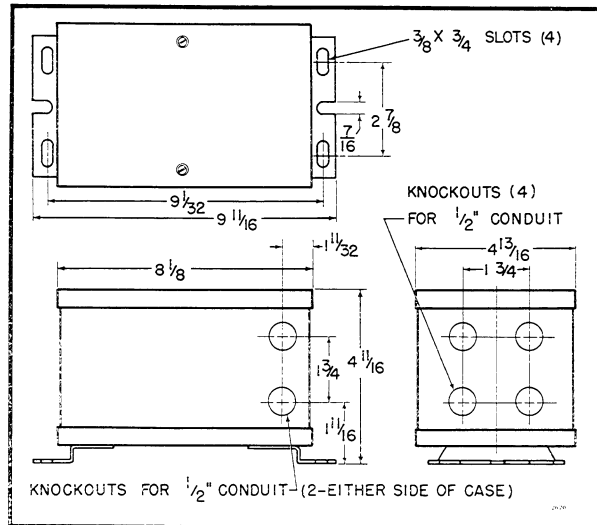
WIRING KNOCKOUTS: 8 for 1/2 inch conduit.

ENCLOSURE: Sheet metal case with removable cover.

MOUNTING MEANS: Foot mounted case with 4 elongated screw holes and two screw slots.

FINISH: Gray.

DIMENSIONS (inches):



INSTALLATION

MOUNTING

The transformer case has 4 elongated screw holes and 2 screw slots for foot mounting. Screws are not furnished, but may be locally obtained. The transformer may be mounted in any position.

WIRING

CAUTION

Disconnect power supply before making wiring connections to avoid possible electrical shock or equipment damage.

All wiring must agree with local codes and ordinances.

1. Connect transformer primary leadwires—yellow to common and white (120v), brown (240v), or blue (480v) to match existing line voltage power supply.

2. Connect the transformer secondary leadwires—AT92A and C connect black to common and either red (17v) or orange (24v) as required for the device. AT92B connect black to common and either red (120v) or orange (240v) to the circuit depending on the requirements of the application.

CHECKOUT

When installation is complete, place system in operation. Observe through one complete cycle to be sure the transformer steps down voltage as required.

ORDERING INFORMATION

WHEN ORDERING REFER TO THE TRADELINE CATALOG OR PRICE SHEETS FOR COMPLETE ORDERING SPECIFICATION NUMBER, OR . . .

SPECIFY—

1. MODEL NUMBER.

ORDER FROM—

1. YOUR USUAL SOURCE, OR

2. HONEYWELL

1885 DOUGLAS DRIVE NORTH

MINNEAPOLIS, MINNESOTA 55422

(IN CANADA—HONEYWELL CONTROLS LIMITED

740 ELLESMERE ROAD

SCARBOROUGH, ONTARIO)

INTERNATIONAL SALES AND SERVICE OFFICES

IN ALL PRINCIPAL CITIES OF THE WORLD.