

# VisionPRO<sup>®</sup> 8000 with RedLINK<sup>™</sup>

## PRODUCT DATA



## APPLICATION

The VisionPRO<sup>®</sup> 8000 with RedLINK<sup>™</sup> features an effortless, 7-Day programmable touchscreen thermostat that provides control of temperature, humidification, dehumidification, and ventilation for up to 4 Heat/2 Cool heat pump systems or up to 3 Heat/2 Cool conventional systems for residential and commercial applications.

## FEATURES

- RedLINK<sup>™</sup> Compatible**  
 Increase your content and profit per job by including RedLINK<sup>™</sup> accessories that meet your customers comfort and convenience needs. RedLINK accessories include the Wireless Outdoor Sensor, Portable Comfort Control (PCC), Equipment Interface Module (EIM), RedLINK Internet Gateway, Wireless Indoor Sensor, TrueSTEAM<sup>™</sup> humidifier with Wireless Adapter, TrueZONE<sup>™</sup> zoning panel with Wireless Adapter, Vent Boost Remote and Entry/Exit Remote.

- Customizable Service Reminders**  
 Set up to 10 service reminders. Choose from the pre-set options or customize your own. Reminders can be based on date or the outdoor temperature.
- Universal Inputs**  
**Thermostat - S1**  
**EIM - S1, S2, S3, S4**  
 Assignable inputs allow you to setup Indoor and Outdoor Temperature Sensors, Discharge and Return Air Sensors or Dry Contact Devices. Dry Contact Devices can be used to trip pre-set or customized alerts on the thermostat home screen. Note: Dry Contact Alerts require an Equipment Interface Module (EIM).
- User Interaction Log**  
 The interaction log stores history of thermostat setting changes including temperature, system and installer setup. You can use the interaction log to save time by determining if the issue is a system error or an accidental user error. The Interaction Log is only viewable on a computer after you download it from the thermostat to a microSD card.
- Selectable for Residential and Light Commercial Applications**  
 One thermostat does it all to meet the needs of Residential and Light Commercial applications. Simply select Residential or Commercial during the installer setup. If Commercial is selected, the thermostat will use commercial language, meet building codes and offer 365 day holiday scheduling.
- MicroSD Card Port for Quick Installer Setup**  
 Save time by using a microSD card to upload installer settings and service reminders in one simple step.
- Selectable Sensors**  
 When paired with a Wireless Indoor Sensor(s) you have the ability to choose which sensor(s) to use for temperature, humidification and dehumidification. They can be used in combination for temperature averaging—or individually—to condition humidity levels in separate spaces.



# CONTENTS

<b>Application</b> .....	<b>1</b>	Set up Dehumidification With Dehumidifier .....	89
<b>Specifications</b> .....	<b>3</b>	Control Dehumidification Level .....	90
<b>Ordering Information</b> .....	<b>2</b>	<b>Ventilation</b> .....	<b>91</b>
<b>System Installation</b> .....	<b>6</b>	Set up Ventilation .....	92
<b>When Installing this Product...</b> .....	6	<b>IAQ Reminders</b> .....	<b>96</b>
<b>Installing Equipment Interface Module (if used)</b> .....	8	<b>Customizable Reminders</b> .....	<b>96</b>
<b>Wiring 24 Vac Common</b> .....	8	<b>MicroSD card</b> .....	<b>100</b>
<b>Selecting Discharge and Return Air Temperature Sensor Mounting Locations</b> .....	9	<b>Commercial Features</b> .....	<b>102</b>
Selecting Discharge and Return Air Temperature Sensor Mounting Locations .....	9	Preset Energy-Saving Schedules .....	62
Selecting Return Air Temperature Sensor Mounting Location .....	9	<b>Advanced Features</b> .....	<b>71</b>
<b>Selecting Thermostat Location</b> .....	11	Adaptive Intelligent Recovery (residential use only) .....	71
<b>Installing Wallplate</b> .....	11	Compressor Protection .....	71
<b>Power Optional RedLINK™ Accessories</b> ....	13	<b>Heat Pump and Backup Heat Operation</b> <b>78</b>	
<b>Linking Thermostat to Equipment Interface Module (if used)</b> .....	14	<b>Portable Comfort Control</b> .....	<b>111</b>
<b>Linking RedLINK Accessories</b> .....	14	<b>Remote Indoor Sensors</b> .....	<b>112</b>
<b>Mounting Optional Accessories</b> .....	58	Ramp Rates (Commercial Use) .....	105
<b>Data Logs</b> .....	73	Remote Setback (Commercial Use) .....	105
Alerts Log .....	73	Economizer and Time of Day (TOD) Operation .....	106
User Interactions Log .....	73	Pre-Occupancy Purge .....	107
<b>Dry Contact Alerts</b> .....	74	Staging Control .....	76
<b>Setting the Time/Date</b> .....	61	<b>Optional Accessories</b> .....	<b>110</b>
<b>Setting the Fan</b> .....	61	<b>Troubleshooting</b> .....	<b>140</b>
<b>Setting System Mode</b> .....	61	<b>Wiring</b> .....	<b>117</b>
<b>Installer Tests</b> .....	<b>57</b>	<b>EIM Wiring Diagrams</b> .....	<b>120</b>
<b>Using the Equipment Test</b> .....	57	<b>Geothermal Radiant Heat</b> .....	<b>78</b>
<b>Using the Wireless Signal Strength Test</b> ....	58	<b>Wiring IAQ Equipment or a Heat/Cool Stage to the Universal Terminals</b> .....	129
<b>Indoor Air Quality (IAQ) Control</b> .....	<b>80</b>	<b>Economizer Module Wiring Diagrams</b> .....	132
<b>Humidification</b> .....	<b>80</b>	<b>Wiring C7089U1006 Outdoor Sensor</b> .....	134
Set up Humidification .....	80	<b>Wiring guide — Wired Indoor Sensors</b> .....	135
Control Humidification Level .....	82	<b>Regulatory Information</b> .....	<b>140</b>
<b>Dehumidification - Residential</b> .....	<b>83</b>		
Set up Dehumidification With Cooling System .....	83		
Set up Dehumidification With Whole House Dehumidifier .....	84		
Set up Dehumidification Away Mode .....	86		
Control Dehumidification Level .....	87		
<b>Dehumidification - Commercial</b> .....	<b>87</b>		
Set up Dehumidification With Cooling System .....	88		

# ORDERING INFORMATION

When purchasing replacement and modernization products from your TRADELINE® wholesaler or distributor, refer to the TRADELINE® Catalog or price sheets for complete ordering number. If you have additional questions, need further information, or would like to comment on our products or services, please write or phone:

1. Your local Honeywell Environmental and Combustion Controls Sales Office (check white pages of your phone directory).
2. Honeywell Customer Care  
1885 Douglas Drive North  
Minneapolis, Minnesota 55422-4386
3. <http://customer.honeywell.com> or <http://customer.honeywell.ca>

International Sales and Service Offices in all principal cities of the world. Manufacturing in Belgium, Canada, China, Czech Republic, Germany, Hungary, Italy, Mexico, Netherlands, United Kingdom, and United States.

# SPECIFICATIONS

## Thermostat Description:

Feature	Description
Powering method	<ul style="list-style-type: none"> <li>Common wire or battery</li> </ul>
System types (up to 4 heat/2 cool heat pump and up to 3 heat/2 cool conventional)	<ul style="list-style-type: none"> <li>Gas, oil or electric heat with air conditioning</li> <li>Warm air, hot water, high-efficiency furnaces, heat pumps, steam and gravity</li> <li>Cool only</li> </ul>
Changeover	Manual or Auto changeover selectable
System setting	Em Heat-Heat-Off-Cool-Auto
Fan setting	Auto-On-Circ-Follow Schedule

**Electrical Ratings for:** the Equipment Interface Module and VisionPRO Thermostats

**NOTE:** To find what terminals are available on the Equipment Interface Module and the VisionPRO Thermostats, see "Terminal Designations" below the table.

Terminal	Voltage (50/60 Hz)	Max. Current Rating
W - O/B	18 to 30 VAC and 750 mVDC	1.00A
Y (cooling)	18 to 30 VAC	1.00A
G (fan)	18 to 30 VAC	0.50A
W2 - Aux 1 (heating)	18 to 30 VAC	0.60A
W3 - Aux 2 (heating)	18 to 30 VAC	0.60A
Y2 (cooling)	18 to 30 VAC	0.60A
A-L/A (Output)	18 to 30 VAC	1.00A
U1, U1 U2, U2 U3, U3	30 VAC max.	0.50A

### Terminal Designations:

- Equipment Interface Module: R, RC, RH, C, W-O/B, W2-AUX 1, W3-AUX 2, Y, Y2, G, A-L/A, U1 U1, U2 U2, U3 U3, S1 S1, S2 S2, S3 S3, S4 S4, A, B, C, D
- TH8321 Thermostat: R, RC, C, W-O/B, W2-AUX/E, Y, Y2, G, A-L/A, K, U1 U1, S1 S1
- TH8320 Thermostat: R, RC, C, W-O/B, W2-AUX/E, Y, Y2, G, A-L/A, K, S1 S1
- TH8110 Thermostat: R, RC, C, W-O/B, Y, G, K, S1 S1

### Power Consumption of TH8321/TH8320/TH8110:

Backlight on: 1.44 VA  
Backlight off: 1.32 VA

### RedLINK Communication:

Frequency: 900 Mhz frequency range  
Re-Sync Time: RedLINK devices re-establish communication within 6 minutes after AC power resumes.

### Temperature Setting Range:

Heating: 40 to 90 °F (4.5 to 32 °C).  
Cooling: 50 to 99 °F (10 to 37 °C).

### Temperature Sensor Accuracy:

± 1.5 F at 70 F (0.75 C at 21.0 C)

### Humidification Setting Range:

10% to 60% RH.

### Dehumidification Setting Range:

40% to 80% RH.

### Humidity Display Range:

0% to 99%.

### Humidity Sensor Accuracy:

± 5% RH from 30% to 50% RH at 75 F.

### Cool Indication:

VisionPRO® 8000 with RedLINK™ displays "Cool On" when the thermostat turns the cooling on.

### Heat Indication:

VisionPRO® 8000 with RedLINK™ displays "Heat On" when the thermostat turns the heating on.

### Auxiliary Heat Indication:

VisionPRO® 8000 with RedLINK™ displays "Aux Heat On" when the thermostat turns the auxiliary heat on.

### Interstage Differential:

Comfort: The thermostat keeps the indoor temperature within 1 degree of the setpoint (droop less control). The thermostat turns on stage 2 when the capacity on stage 1 reaches 90%. When the interstage differential is set to 1.0 or higher, the thermostat stages the equipment based on how far the indoor temperature is from the setpoint (ISU 303 to 309). See page 27 for more information.

**Clock Accuracy:** 1 minute per month at 77 °F (25 °C). ± 2 minutes per month over the operating ambient temperature range.

### Mounting Means:

Thermostat mounts directly on the wall in the living space using mounting screws and anchors provided. Fits a horizontal 2 x 4 in. junction box.

Equipment Interface Module (EIM) mounts on HVAC equipment or on a wall in the equipment room.

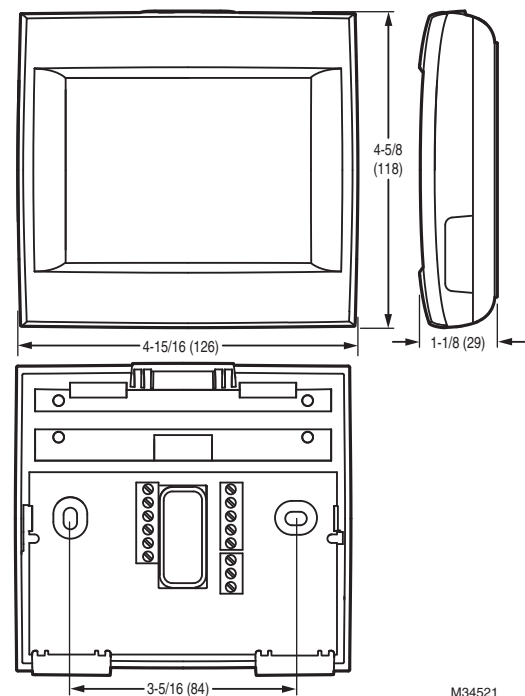


Fig. 1. Dimensions of thermostat in in. (mm).

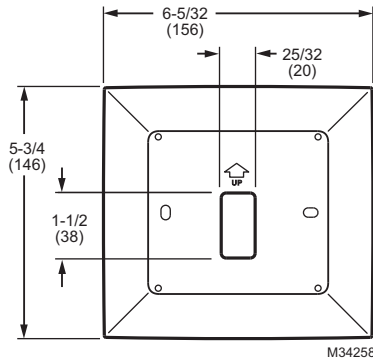


Fig. 2. Dimensions of VisionPRO cover plate in in. (mm).

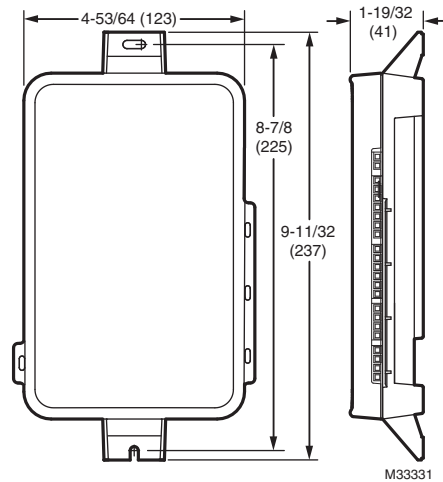


Fig. 3. Dimensions of Equipment Interface Module in in. (mm).

Product	Part Number	Operating Ambient Temperature	Operating Relative Humidity	Shipping Temperature	Physical Dimensions in in. (mm)	Color(s)
Thermostat	TH8321R1001 TH8320R1003 TH8110R1008	32 to 120 °F (0 to 48.9 °C)	5% to 90% Non-Condensing	-20 to 120 °F (-28.9 to 48.9 °C)	4-15/16 x 4-5/8 x 1-1/8 (126 x 118 x 29)	Arctic White
Equipment Interface Module	YTHM5421R1010* THM5421R1021	-40 to 165 °F (-40 to 73.9 °C)	5% to 95% Non-Condensing	-20 to 165 °F (-28.9 to 73.9 °C)	9-11/32 x 4-53/64 x 1-19/32 (237 x 123 x 41)	Gray
Wireless Adapter (For TrueZONE, TrueSTEAM or extend wireless range of EIM)	THM4000R1000	-40 to 165 °F (-40 to 73.9 °C)	5% to 95% Non-Condensing	-20 to 165 °F (-28.9 to 73.9 °C)	5-9/16 x 4-3/8 x 1-1/4 (141 x 112 x 32)	Gray
RedLINK Internet Gateway	THM6000R1002	32 to 120 °F (0 to 48.9 °C)	5% to 95% Non-Condensing	-20 to 120 °F (-28.9 to 48.9 °C)	6 x 4-7/8 x 2-1/2 (152 x 124 x 64)	Black
Portable Comfort Control	REM5000R1001	32 to 120 °F (0 to 48.9 °C)	5% to 90% Non-Condensing	-20 to 120 °F (-28.9 to 48.9 °C)	6-1/4 x 3-1/8 x 1-5/8 (158 x 80 x 38)	Arctic White, Gray
Wireless Entry/Exit Remote	REM1000R1003	32 to 120 °F (0 to 48.9 °C)	5% to 90% Non-Condensing	-20 to 120 °F (-28.9 to 48.9 °C)	3-15/16 x 1-15/16 x 5/8 (101 x 50 x 16)	Arctic White
Wireless Vent and Filter Boost Remote	HVC20A1000	32 to 120 °F (0 to 48.9 °C)	5% to 90% Non-Condensing	-20 to 120 °F (-28.9 to 48.9 °C)	3-15/16 x 1-15/16 x 5/8 (101 x 50 x 16)	Arctic White
Wireless Outdoor Sensor	C7089R1013	-40 to 140 °F (-40 to 60 °C)	0% to 100% Condensing	-40 to 120 °F (-40 to 48.9 °C)	5 x 3-1/2 x 1-11/16 (127 x 89 x 43)	Gray
Wireless Indoor Sensor	C7189R1004	0 to 120 °F (-17.8 to 48.9 °C)  For optimal Battery Life: 35 to 114 °F (1.7 to 45.6 °C)	5% to 90% Non-Condensing	-20 to 120 °F (-28.9 to 48.9 °C)	2-7/8 x 1-7/8 x 15/16 (74 x 48 x 24)	Arctic White
Wired Outdoor Sensor (10K ohm Negative Temperature Coefficient)	C7089U1006	-40 to 120 °F (-40 to 48.9 °C)	5% to 95% Non-Condensing	-40 to 130 °F (-40 to 54.4 °C)	1-1/2 (38)	--
Wired Wall Mount Indoor Sensor (10K ohm Negative Temperature Coefficient)	C7189U1005	45 to 88 °F (7 to 32 °C)	5% to 95% Non-Condensing	-20 to 120 °F (-28.9 to 48.9 °C)	2-9/32 x 1-1/2 x 11/16 (58 x 38 x 18)	Premier White



Product	Part Number	Operating Ambient Temperature	Operating Relative Humidity	Shipping Temperature	Physical Dimensions in in. (mm)	Color(s)
Wired Wall Mount Indoor Sensor (20K ohm Negative Temperature Coefficient)	TR21	45 to 99 °F (7 to 37 °C)	5% to 95% Non-Condensing	-40 to 150 °F (-40 to 65.5 °C)	4-9/16 x 3 x 7/8 (116 x 76.5 x 22)	White
Wired Wall Mount Indoor Sensor (10K ohm Negative Temperature Coefficient)	TR21-A	45 to 99 °F (7 to 37 °C)	5% to 95% Non-Condensing	-40 to 150 °F (-40 to 65.5 °C)	4-9/16 x 3 x 7/8 (116 x 76.5 x 22)	White
Wired Flush Mount Indoor Sensor (20K ohm Negative Temperature Coefficient)	C7772A1004	45 to 99 °F (7 to 37 °C)	5% to 95% Non-Condensing	-40 to 150 °F (-40 to 65.5 °C)	4-1/2 x 2-3/4 x 5/16 (114 x 70 x 8)	Brushed Stainless Steel
Wired Flush Mount Indoor Sensor (20K ohm Negative Temperature Coefficient)	C7772A1012	45 to 99 °F (7 to 37 °C)	5% to 95% Non-Condensing	-40 to 150 °F (-40 to 65.5 °C)	4-1/2 x 2-3/4 x 5/16 (114 x 70 x 8)	Brushed Stainless Steel
Discharge or Return Air Sensor (10K ohm Negative Temperature Coefficient)	C7735A1000*	0 to 200 °F (- 17.8 to 93.3 °C)	- -	-20 to 120 °F (-28.9 to 48.9 °C)	Probe: 3-3/4 x 1/4 (77 x 6.4)  Cap Diameter: 2-7/16 (62)	Gray
Discharge or Return Air Sensor (20K ohm Negative Temperature Coefficient)	C7041	- -	- -	- -	4-3/16 x 2-5/16 x 1-11/16 (107 x 59 x 43)	- -
Discharge or Return Air Sensor (20K ohm Negative Temperature Coefficient)	C7770A1006	45 to 99 °F (7 to 37 °C)	5% to 95% Non-Condensing	-40 to 150 °F (-40 to 65.5 °C)	Probe: 6 x 1/4 (152 x 6.4)	- -
Occupancy Sensor for Remote Setback (Requires an Equipment Interface Module)	WSK-24	Receiver: - 5 to 140 °F (-21 to 60 °C)  Door Sensor: -4 to 140 °F (-20 to 60 °C)  PIR Sensor: -4 to 104 °F (-20 to 40 °C)	- -	- -	Receiver: 3.6 x 3.4 x 1.2 (91.4 x 86.4 x 30.5)  Door Sensor: 1.4 x 2.3 x 0.6 (35.8 x 57.6 x 15.2)  PIR Sensor: 2.8 x 3.9 x 1.1 (71 x 100 x 28)	White
Coverplate (covers marks left by old thermostats)	THP2400A1019	- -	- -	- -	5-3/4 x 6-5/32 (146 x 156)	Arctic White
Wire Saver Module	THP9045A1023	-40 to 163 °F (-40 to 73 °C)	5% to 90% Non-Condensing	-40 to 185 °F (-40 to 85 °C)	- -	Gray

\* The YTHM5421R1010 Equipment Interface Module Kit includes 50062329-001 Discharge/Return Air Sensors. Replacement Discharge/Return Air Sensor part number is C7735A1000.

## SYSTEM INSTALLATION

### When Installing this Product...

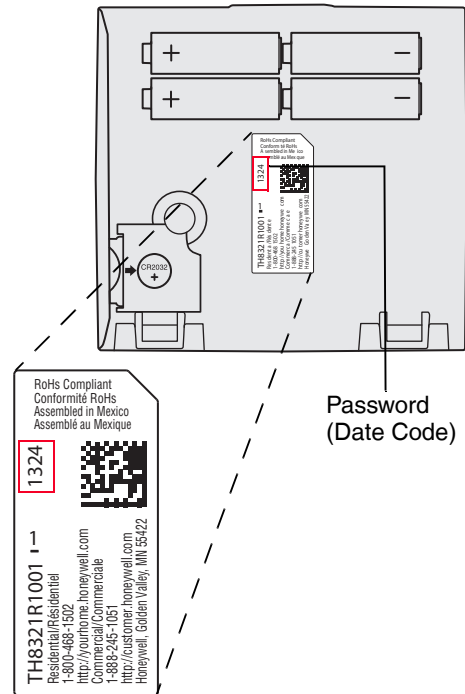
1. Read these instructions carefully. Failure to follow the instructions can damage the product or cause a hazardous condition.
2. Check the ratings given in the instructions to make sure the product is suitable for your application.
3. Installer must be a trained, experienced service technician.
4. After completing installation, use these instructions to verify the product operation.

### Finding Your Password (Date Code)

You will need the thermostat password to:

- Add or remove RedLINK accessories
- Make changes to Installer Setup
- Perform an Installer Test
- Reset Thermostat to Factory Default Settings

The password (date code) is located on the back of the thermostat (see Fig. 4)



**Fig. 4. Finding thermostat password.**

You can also find the password (date code) by pressing MENU, selecting Dealer Information and then scrolling down to see the Date Code.

# INSTALLATION OPTIONS

The VisionPRO® 8000 with RedLINK™ system can be wired directly to the equipment, used with an Equipment Interface Module, or with a TrueZONE wireless adapter.

If using the Equipment Interface Module, see “Installing Equipment Interface Module (if used)” on page 8.

If using a TrueZONE wireless adapter, follow the installation instructions that came with the TrueZONE panel, and go to “Selecting Thermostat Location” beginning on page 11.

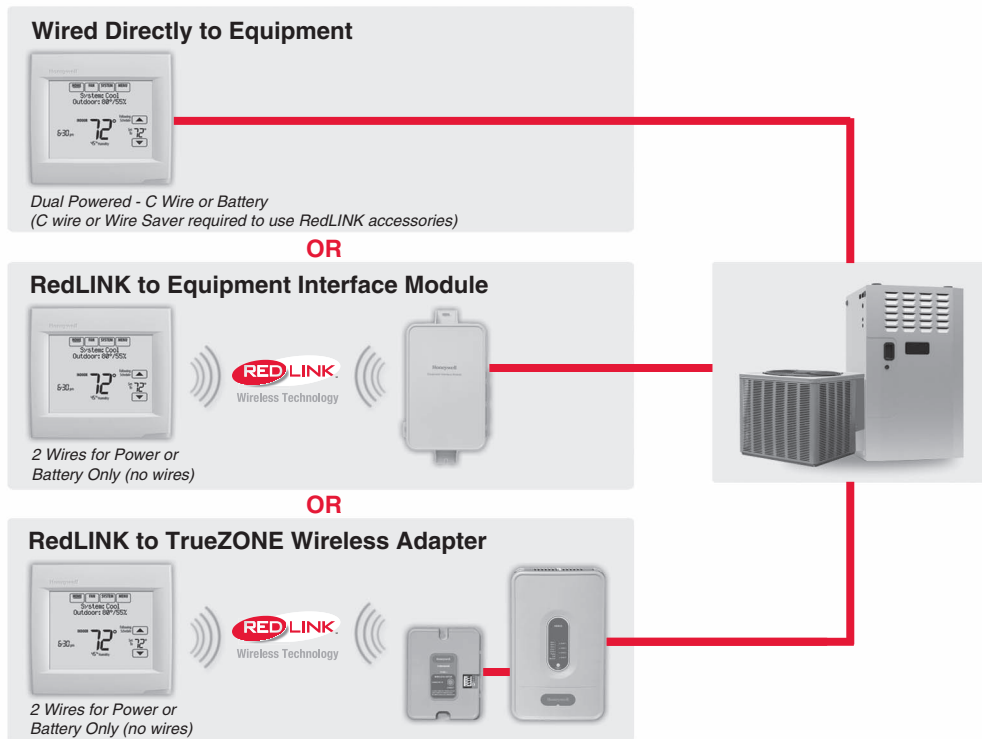


Fig. 5. VisionPRO® 8000 with RedLINK™ installation options.

Model Numbering	TH8321	TH8320	TH8110
Stages	3H/2C HP 2H/2C CONV	3H/2C HP 2H/2C CONV	1H/1C HP 1H/1C CONV
Residential or Commercial	✓	✓	✓
Dual Powered - C Wire or Battery	✓	✓	✓
Onboard Humidity Sensor	✓		
Number of Universal Relays	1	0	0
Number of Universal Sensor Inputs	1	1	1
Economizer / TOD Output	✓	✓	
Works with Optional Equipment Interface Module*	✓	✓	✓
Works with Optional TrueZONE Wireless Adapter*	✓	✓	✓

\* The relay outputs and inputs on the thermostat do not function when used with an Equipment Interface Module or the TrueZONE Wireless Adapter.

\* If the thermostat has been setup WITHOUT an Equipment Interface Module or the TrueZONE Wireless Adapter and you would like to add one, you must reset the thermostat back to factory defaults. Press MENU > Installer Options > scroll down to select Reset to Defaults.

## Guidelines for Installing RedLINK Devices

- When installing more than one Thermostat and Equipment Interface Module, mount the Equipment Interface Modules at least 2 feet apart for best RedLINK performance. No minimum distance is required between the Thermostats if the Thermostat is linked to an Equipment Interface Module.
- When the Thermostat is wired directly to the equipment (No Equipment Interface Module and No TrueZONE Wireless Adapter), mount the Thermostats at least 2 feet apart for best RedLINK performance.
- To determine if a RedLINK device will communicate properly in the installed location, during the connection process, press and quickly release the connect button on the RedLINK device at the **desired mounting location**. If the RedLINK device connects, then it will work reliably during normal operation. If the RedLINK device does NOT connect, try a new location. During the connection process, the signal is sent at low power and during normal operation the signal is sent at high power.
- To connect a RedLINK device, make sure to **press and quickly release** the connect button on the RedLINK device. Press and holding the connect button down too long will not allow the device to connect.
- If you link the Thermostat to the TrueZONE Wireless Adapter, you will NOT be able to do the following: control humidification, dehumidification or ventilation, setup a program schedule remotely from a computer, smart phone or tablet, work with the Wireless Indoor Sensor, Entry / Exit Remote or the Vent and Filter Boost Remote. To use these features, wire the Thermostat directly to the zone panel or use an Equipment Interface Module.
- If you are using a RedLINK device from a previous installation, you must reset the device first before you reconnect it to the new Thermostat/Equipment Interface Module. See page 116 for more information.

## Installing Equipment Interface Module (if used)

If no Equipment Interface Module is used, skip to “Selecting Thermostat Location” beginning on page 11.

**NOTE:** If an EIM is mounted inside a metal cabinet, such as a commercial rooftop unit, it is recommended to use a THM4000R1000 Wireless Adapter for extended wireless range. Mount the Wireless Adapter outside the metal cabinet and connect to the ABCD terminals at the EIM. The Wireless Adapter functions as a remote antenna for the EIM. After it is wired to the EIM, it automatically takes over as the antenna for RedLINK communication. For best RedLINK performance, avoid mounting the Wireless Adapter above the roof deck or outside the exterior walls.

**NOTE:** If you install more than one thermostat and EIM, the EIMs must be at least 2 feet apart for best RedLINK performance.



### CAUTION

Electrical Hazard.

Can cause electrical shock or equipment damage. Disconnect power before wiring.

The Equipment Interface Module (EIM) can be mounted vertically on the HVAC equipment or on a wall in the equipment room.

1. Mount the EIM near the HVAC equipment, or on the equipment itself. Use screws & anchors as appropriate for the mounting surface.
2. To wire the EIM, strip 1/4” insulation, then insert wires (see Fig. 7). For wiring diagrams, see “Wiring” beginning on page 117.

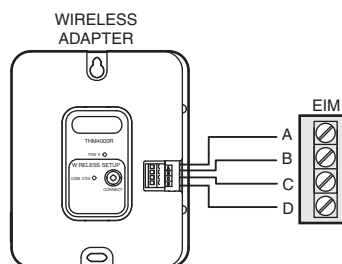


Fig. 6. THM4000R1000 Wireless Adapter wired to the EIM.

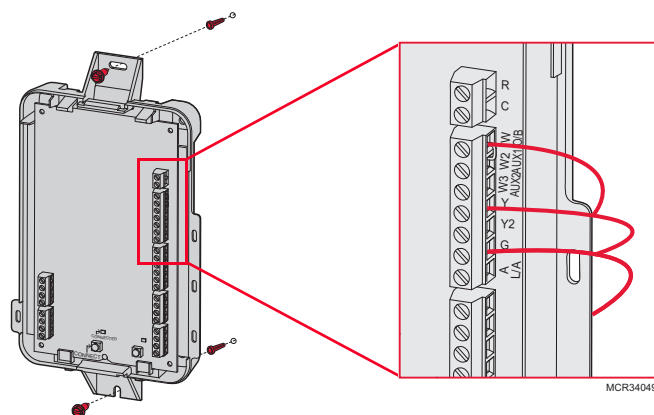


Fig. 7.

**NOTE:** Link EIM to thermostat **BEFORE** linking any RedLINK accessories. See “Linking RedLINK Accessories” on page 14.

3. If you are installing discharge and return air sensors, see “Selecting Discharge and Return Air Temperature Sensor Mounting Locations” beginning on page 9).

## Wiring 24 Vac Common

- Single-Transformer System—Connect the common side of the transformer to the C screw terminal of the EIM. Leave the metal jumper wires in place between R, RC, and RH.
- Two-Transformer System—Connect the common side of the cooling transformer to the C screw terminal of the EIM. Remove the metal jumper wire between RC and RH. Connect the hot side of heating transformer to RH and leave the jumper wire between R and RC and connect the hot side of cooling transformer to R or RC.

## Selecting Discharge and Return Air Temperature Sensor Mounting Locations

Refer to the guidelines below and Fig. 8–12 for mounting locations of the Discharge and Return Air Temperature Sensors.

### Selecting Discharge Air Temperature Sensor Mounting Location

1. Mount the Discharge Air Temperature Sensor on the supply duct in a location where the air is mixed well. Mount the Discharge Air Temperature Sensor out of sight of the A-Coil/Heat Exchanger when possible. See Fig. 8.
2. When possible, mount the Discharge Air Temperature Sensor upstream of a Steam Humidifier, a Fan Powered Humidifier or a Dehumidifier that is ducted to the supply. See Fig. 9–10.
3. If space does not allow a Discharge Air Temperature Sensor upstream of a Steam Humidifier or Fan Powered Humidifier, mount the Discharge Air Temperature Sensor downstream of the Humidifier. See Fig. 9.
4. If a Bypass Humidifier is installed, mount the Discharge Air Temperature Sensor downstream of the Bypass Humidifier. See Fig. 11–12.

### Selecting Return Air Temperature Sensor Mounting Location

1. Install the Return Air Temperature Sensor on the return duct in a location where the air is mixed well. Mount the Return Air Temperature Sensor downstream of a Bypass Humidifier, Dehumidifier or Ventilator. See Fig. 8–12.

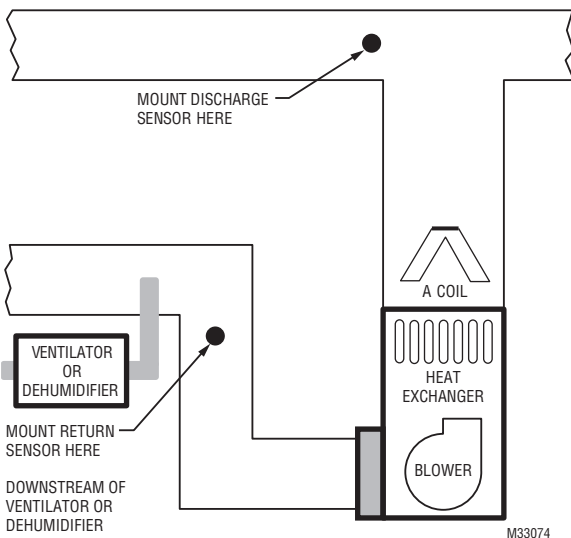


Fig. 8.

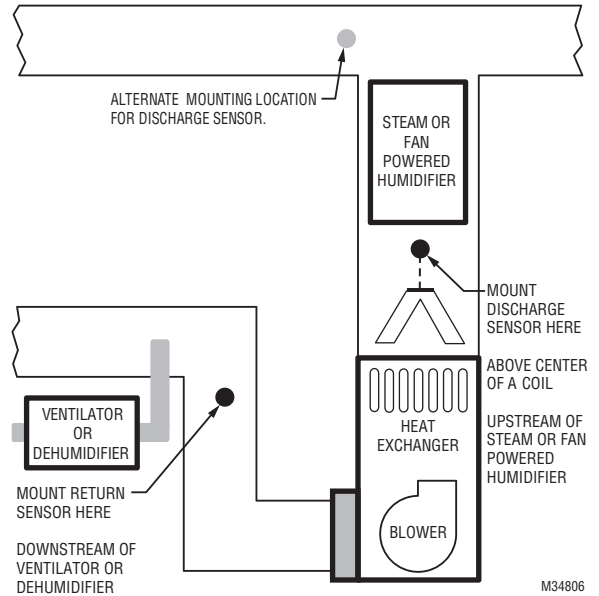


Fig. 9.

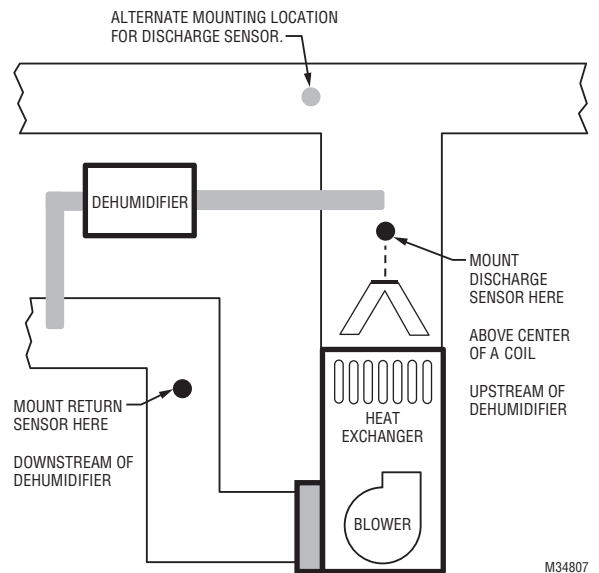


Fig. 10.

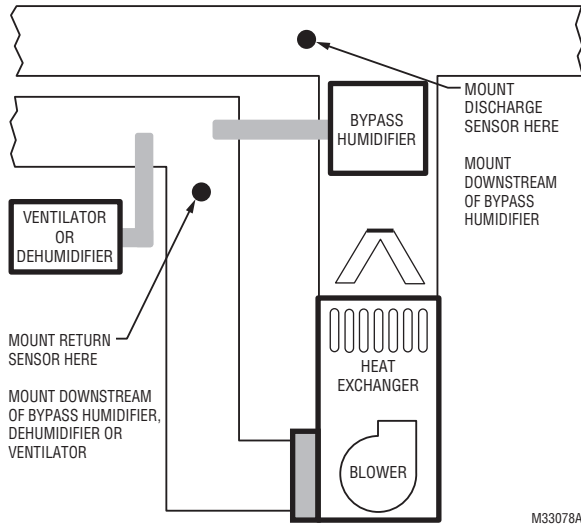


Fig. 11.

M33078A

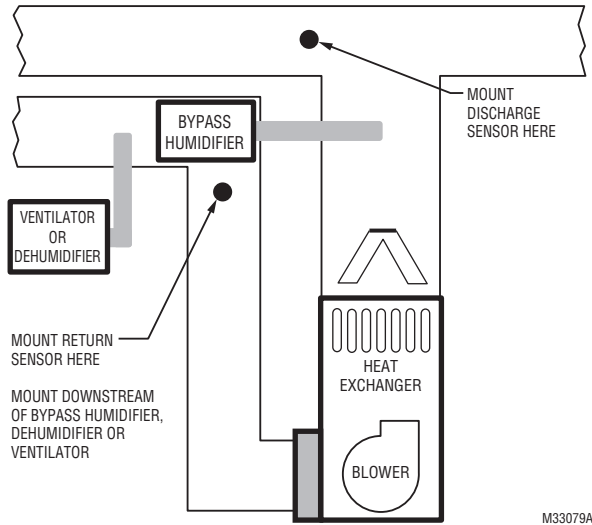


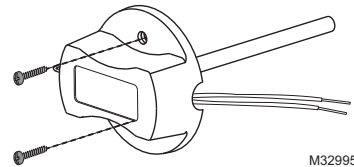
Fig. 12.

M33079A

## Installing Discharge and Return Air Temperature Sensors

Use the following steps to mount the Discharge/Return Air Sensors:

1. Attach plastic cover to the sensor probe.
2. Drill 1/4-inch hole for the sensor probe and mount it to the ductwork with enclosed screws (see Fig. 13).
3. Connect wires to S1, S2, S3 or S4 terminals at the EIM.
4. Setup the S1, S2, S3 or S4 terminals in the Installer Setup at the thermostat.

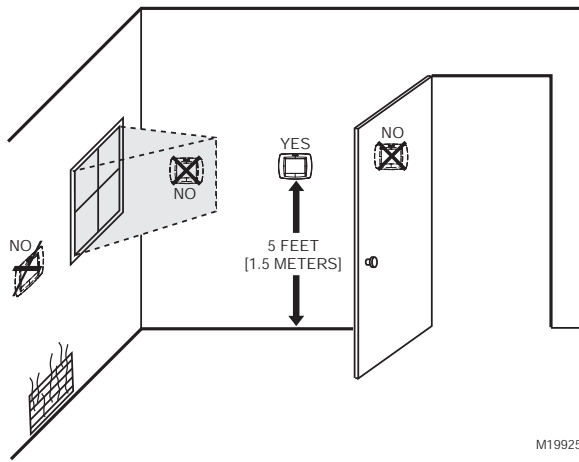


M32995

Fig. 13. Mounting Discharge/Return Air Sensor.

## Selecting Thermostat Location

Install the thermostat about 5 ft. (1.5m) above the floor in an area with good air circulation at average temperature. See Fig. 14.



M19925

Fig. 14. Selecting thermostat location.

Do not install the thermostat where it can be affected by:

- Drafts or dead spots behind doors and in corners.
- Hot or cold air from ducts.
- Radiant heat from sun or appliances.
- Concealed pipes and chimneys.
- Unheated (uncooled) areas such as an outside wall behind the thermostat.

## Installing Wallplate



### CAUTION

**Electrical Hazard.**  
Can cause electrical shock or equipment damage.  
Disconnect power before wiring.

**NOTE:** For best RedLINK performance, mount thermostats at least 2 feet apart.

The thermostat can be mounted horizontally on the wall or on a 4 in. x 2 in. (101.6 mm x 50.8 mm) wiring box.

1. Press button on top and pull to remove the wallplate.

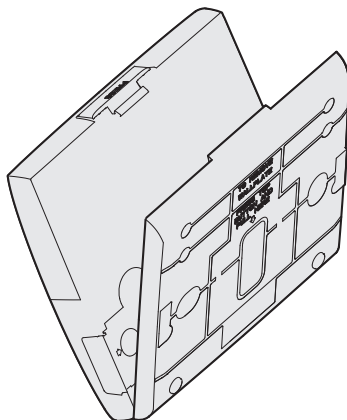


Fig. 15. Separate wallplate from thermostat.

2. Position and level the wallplate (for appearance only).
3. Use a pencil to mark the mounting holes.
4. Remove the wallplate from the wall and, if drywall, drill two 3/16-in. holes in the wall, as marked. For firmer material such as plaster, drill two 7/32-in. holes. Gently tap anchors (provided) into the drilled holes until flush with the wall.
5. Position the wallplate over the holes, pulling wires through the wiring opening. See Fig. 16.
6. Insert the mounting screws into the holes and tighten.

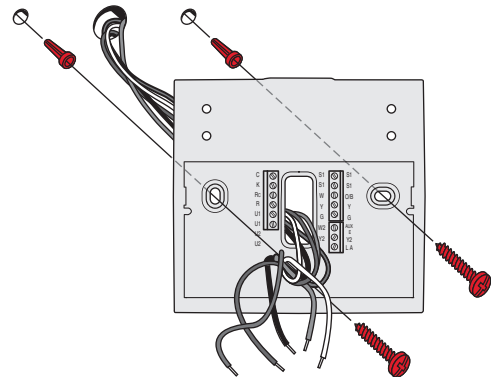


Fig. 16. Mounting wallplate.

## Installing VisionPRO® 8000 with RedLINK™

### Connect Power

1. Insert supplied AA alkaline batteries for primary or backup power.

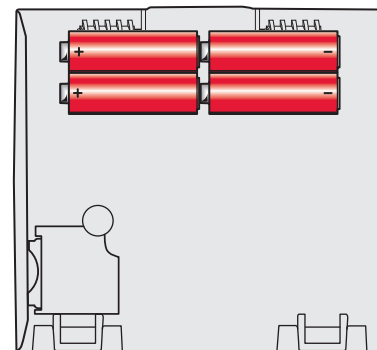


Fig. 17. Insert AA batteries.

**NOTE:** When the thermostat is NOT used with the Equipment Interface Module or the TrueZONE Wireless Adapter, a C wire is required for RedLINK.



- For 24VAC primary power, connect common side of transformer to C terminal.

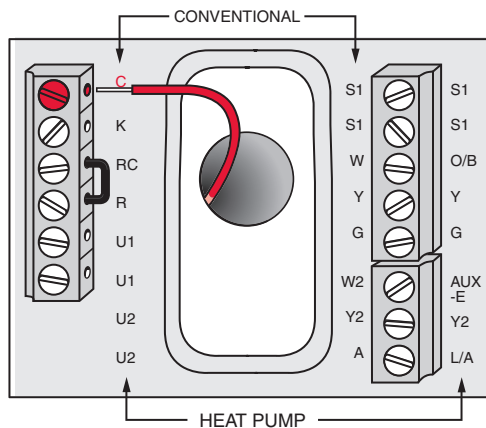


Fig. 18. Connecting C wire to terminal block.

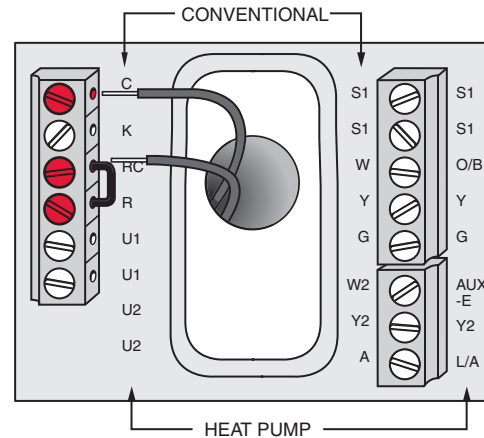


Fig. 20. Inserting wires in thermostat terminal block.

## Wiring the Thermostat

### IF THE THERMOSTAT IS WIRED DIRECTLY TO THE EQUIPMENT

- Refer to Fig. 19. See Table 10 on page 118 for terminal designations and “Wiring” beginning on page 117 for more information.
- Turn on 24VAC NOW.

NOTE: 24VAC (C wire) is required to connect RedLINK accessories.

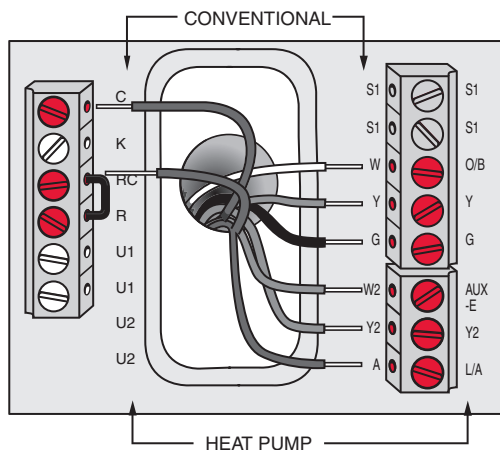


Fig. 19. Thermostat wired directly to equipment.

### IF THE THERMOSTAT IS USED WITH AN EQUIPMENT INTERFACE MODULE OR TRUEZONE WIRELESS ADAPTER

- Power the thermostat using Rc and C terminals or with batteries. Refer to Fig. 20.

NOTE: The relay outputs and inputs on the thermostat do not function when used with an Equipment Interface Module or TrueZONE Wireless Adapter.

## Remove Coin Cell Battery Tab

- Remove tab to activate coin cell battery.

NOTE: Coin cell battery saves time and date during a power loss.

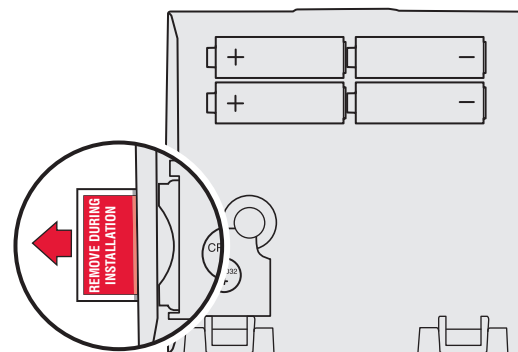


Fig. 21. Remove coin cell battery tab.

## Mounting Thermostat on Wallplate

- Align thermostat at bottom and snap into place as shown.

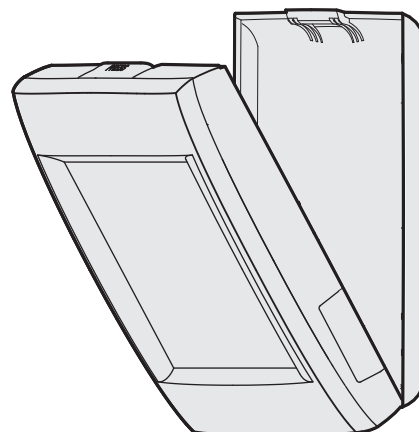


Fig. 22. Mount thermostat.

# POWER OPTIONAL REDLINK™ ACCESSORIES

## Outdoor air sensor

1. Install 2 fresh AA lithium batteries.

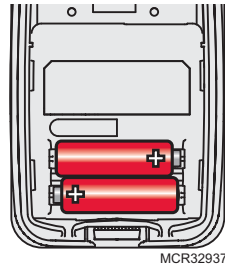


Fig. 23.

## Portable Comfort Control

1. Install 3 fresh AA alkaline batteries.

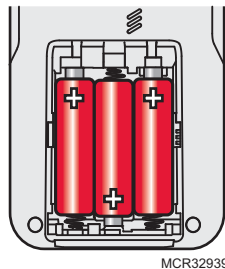


Fig. 24.

## Indoor air sensor

1. Install 2 fresh AAA alkaline batteries.

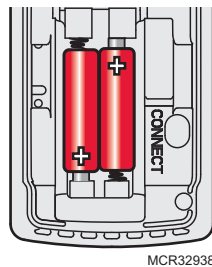


Fig. 25.

## RedLINK™ Internet Gateway

1. Connect power cord to an electrical outlet not controlled by a wall switch.
2. Connect ethernet cable to router and the RedLINK Internet Gateway.

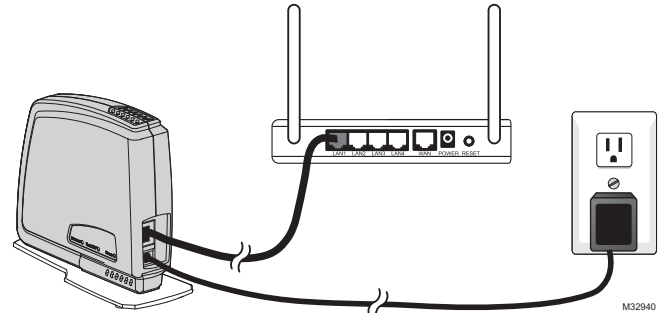


Fig. 26.

## TrueSTEAM

1. Wire and power TrueSTEAM.
2. Connect the ABCD terminals between TrueSTEAM and the THM4000 Wireless Adapter.
3. Adjust the DIP Switches on TrueSTEAM as follows when using the Wireless Adapter:
  - DIP3: UP
  - DIP4: UP
  - DIP5: DOWN

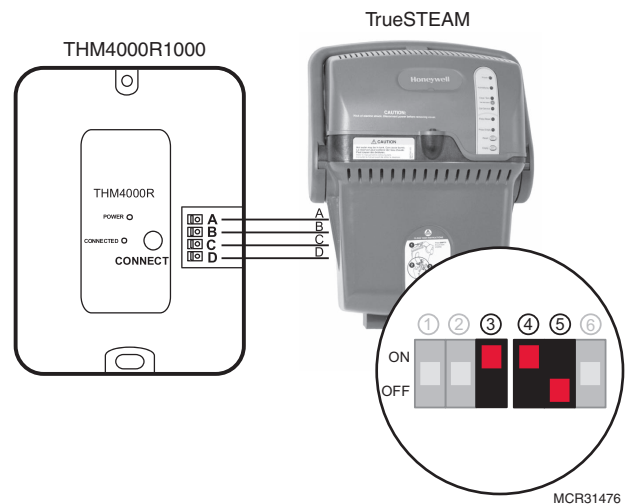


Fig. 27. Powering TrueSTEAM wireless adapter.

## Entry/Exit Remote or Vent Boost Remote

1. Remove the cover.
2. Insert the CR2450 coin cell battery (included) into the slot at the bottom of the remote. See polarity marking on the remote.

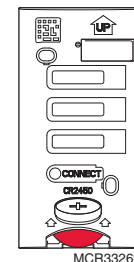


Fig. 28. Installing Entry/Exit Remote or Vent Boost Remote battery.

3. The LED will briefly flash green. If it flashes red, battery is not good.

## PERFORMING INITIAL SETUP

**NOTE:** If the thermostat is wired directly to the equipment, 24 VAC (C wire) is required to connect RedLINK accessories. Turn on 24 VAC before performing the initial setup.

Initial setup options define the type of system you are installing:

- Residential or commercial
- Non-zoned or zoned
- Used with or without an Equipment Interface Module (THM5421)
- Used with or without the TrueZONE Wireless Adapter (THM4000)

1. Follow prompts on the screen to select the appropriate options.



Fig. 29. Select application (residential or commercial).

**NOTE:** If you are connecting the thermostat to the TrueZONE Wireless Adapter (THM4000), refer to the TrueZONE instructions to link the thermostat and RedLINK accessories.

### Linking Thermostat to Equipment Interface Module (if used)

1. In thermostat setup, when you are prompted to answer TSTAT CONTROLS AN EQUIP. MODULE: select yes, then press Next.

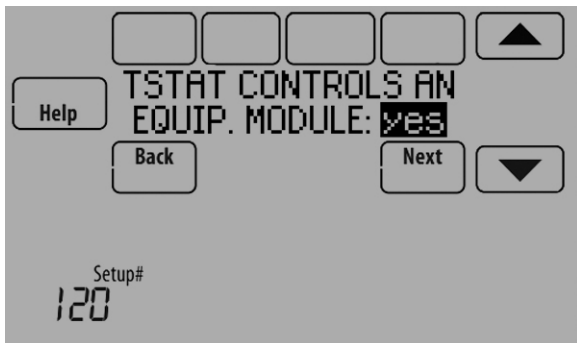


Fig. 30.

2. Press and quickly release the CONNECT button on the EIM. Make sure the “Connected” light is flashing green.

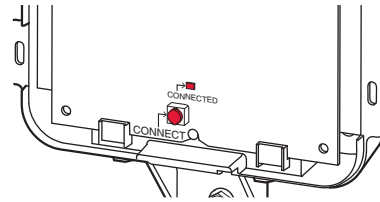


Fig. 31. EIM CONNECT button.

**NOTE:** If the “Connected” light does NOT flash green, another system may be in the listening mode. Please exit the listening mode at the other system and then try again.

**Green Flashing:** In Listening Mode - system is ready to add RedLINK devices.

**Green Steady:** RedLINK devices are communicating.

**Red:** RedLINK device(s) are NOT communicating. Check EIM and RedLINK devices.

3. While the “Connected” light is flashing green on the EIM, press Next on the thermostat. After a short delay, the screen will show the thermostat is connected.



Fig. 32.



Fig. 33.

4. Press Next, as directed on screen, to link RedLINK accessories.

### Linking RedLINK Accessories

1. When you see the prompt Connect RedLINK Accessories?, touch No or Yes.
  - a. If you select No, continue to step 5.
  - b. If you select Yes, you will be prompted to Press Connect on New Accessories. Continue to step 2.



MCR33970

Fig. 34. Connect RedLINK accessories.

**NOTE:** Accessories must be at least 2 feet away from the thermostat or EIM during the linking process.

- While the Press Connect message is displayed (listening mode), press and quickly release the CONNECT button on each new RedLINK accessory.

NOTE: For locations of CONNECT buttons on RedLINK accessories, see “Locating the Connect Buttons on RedLINK Accessories” beginning on page 16.



Fig. 35. Thermostat in listening mode.

- After a short delay (up to 15 seconds), check thermostat to confirm the connection of each RedLINK accessory. Touch ▲ or ▼ to review the list.



MCR33972

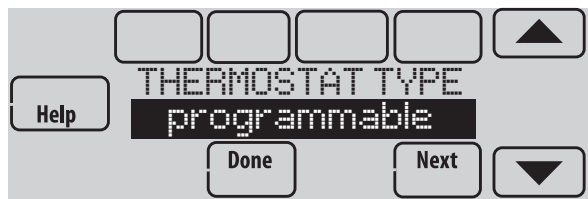
Fig. 36. Outdoor sensor added.

- Touch Done at the thermostat after all new RedLINK accessories are connected.

NOTE: Thermostat displays a countdown timer while in the listening mode. If it detects no activity for 15 minutes, it exits listening mode.

## Completing Initial Setup

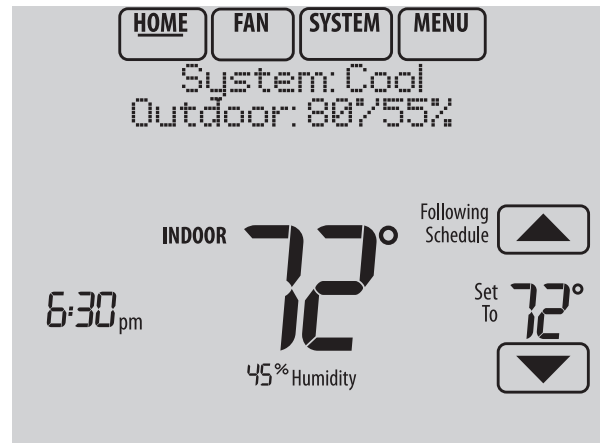
- Finish the setup by selecting the desired options. Touch Done after you select the last option you want to change.



M34150

Fig. 37. Thermostat type.

The thermostat now displays its Home screen and the thermostat setup is complete.



M33985

Fig. 38. Thermostat home screen.

## Adding RedLINK Accessories to the Thermostat

If you want to add RedLINK accessories after the thermostat has been setup, follow these steps.

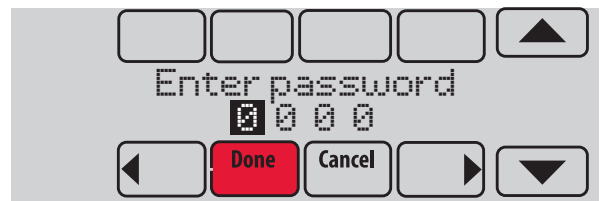
- Touch Menu.
- Select Installer Options.



MCR33976

Fig. 39.

- Enter password (date code) and touch Done. See “Finding Your Password (Date Code) to Access Installer Options” beginning on page 19 for more information.



MCR33977

Fig. 40.

- Select Wireless Manager.



Fig. 41.

- Select Add Device. The screen displays "Press Connect on New Accessories." The thermostat is now in listening mode.

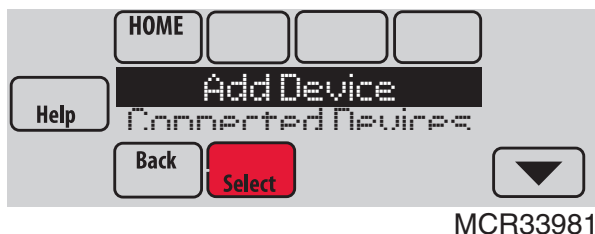


Fig. 42.

**NOTE: Accessories must be at least 2 feet away from the thermostat or EIM during the linking process.**

- Press and quickly release the CONNECT button on each new RedLINK accessory.

**NOTE:** For locations of CONNECT buttons on RedLINK accessories, see "Locating the Connect Buttons on RedLINK Accessories" beginning on page 16.

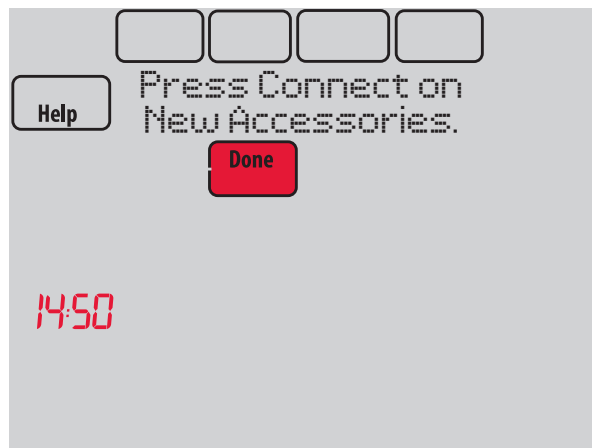


Fig. 43. Thermostat in listening mode.

- After a short delay (up to 15 seconds), check thermostat to confirm the connection of each RedLINK accessory. Touch ▲ or ▼ to review the list.
- Touch Done at the thermostat after all new RedLINK accessories are connected.



Fig. 44.

**NOTE: Thermostat displays a count-down timer while in the listening mode. If it detects no activity for 15 minutes, it exits listening mode.**

## Locating the Connect Buttons on RedLINK Accessories

### Wireless Outdoor Sensor

- Press and quickly release the CONNECT button on the Wireless Outdoor Sensor. After a short delay (up to 15 seconds), the thermostat will display "Outdoor Sensor has been added."

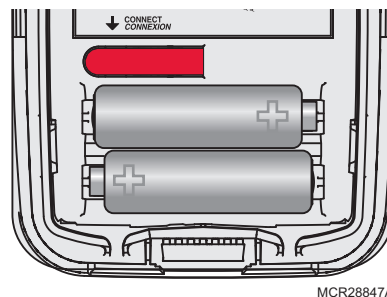


Fig. 45. Wireless outdoor sensor connect button.

### Portable Comfort Control

- Press CONNECT on the Portable Comfort Control display screen.

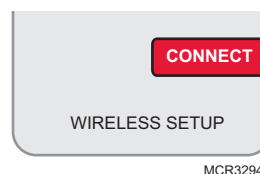


Fig. 46. Portable Comfort Control connect button.

- Press DONE on the Portable Comfort Control when it displays "Connected."

3. Press “No” at the next screen to save and exit, or press “Yes” if you need to connect additional thermostats to the Portable Comfort Control. See Fig. 47.

**NOTE: The Portable Comfort Control can control up to 16 thermostats.**



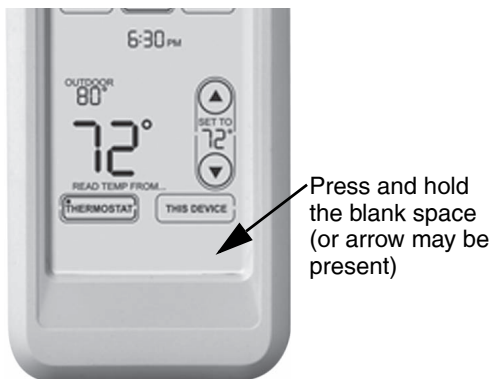
**Fig. 47. Connect additional thermostats to Portable Comfort Control.**

4. Follow the same linking procedure as above to connect additional thermostats.

**ERROR MESSAGES:**

- E1 29:** Incompatible device cannot be connected.
- E1 34:** Low RF signal. Move device to a different location and try again.
- E1 38:** Make sure the thermostat, EIM, or TrueZONE Wireless Adapter is in Wireless Setup mode, and the Portable Comfort Control is at least 2 feet away (600 mm).

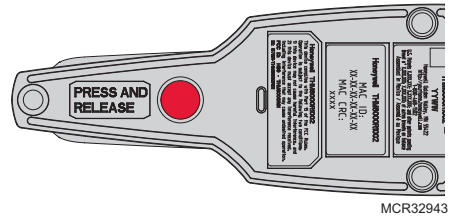
**NOTE: The linking procedure will time out if there is no keypress for 30 minutes. To begin again, press and hold in the lower right corner of the screen until the display changes (about 3 seconds). See Fig. 48.**



**Fig. 48. Restarting the linking process.**

**RedLINK Internet Gateway**

1. Press and quickly release the button on the bottom of the Internet Gateway. After a short delay, the RedLINK status light will glow steady green.

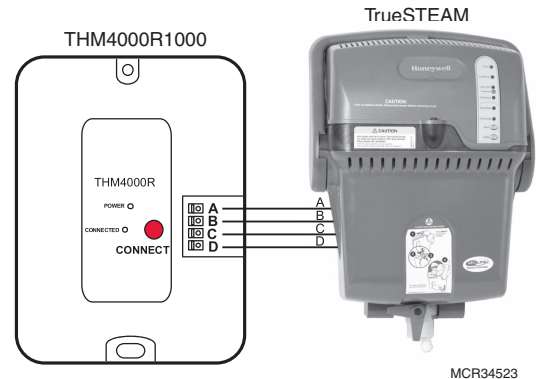


**Fig. 49. RedLINK Internet Gateway connect button.**

**NOTE: The Internet Gateway must be registered online before use at [www.mytotalconnectcomfort.com](http://www.mytotalconnectcomfort.com). Enter the MAC ID and MAC CRC numbers located on the bottom of the Internet Gateway. For additional information, see instructions provided with the device.**

**TrueSTEAM**

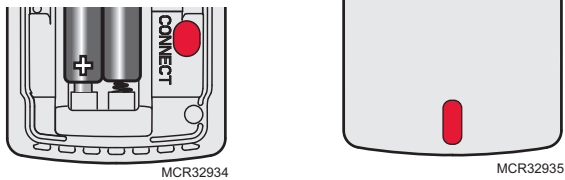
1. Press and quickly release the CONNECT button on THM4000 Wireless Adapter. After a short delay, the CONNECTED status light will glow steady green.



**Fig. 50. Connect button on TrueSTEAM wireless adapter.**

## Wireless Indoor Sensor

1. Press and quickly release the CONNECT button. After a short delay, the status light (see Fig. 51) will glow green for 15 seconds. If the status light turns red, the sensor did not link with the thermostat.



**Fig. 51. Wireless indoor sensor connect button and status light.**

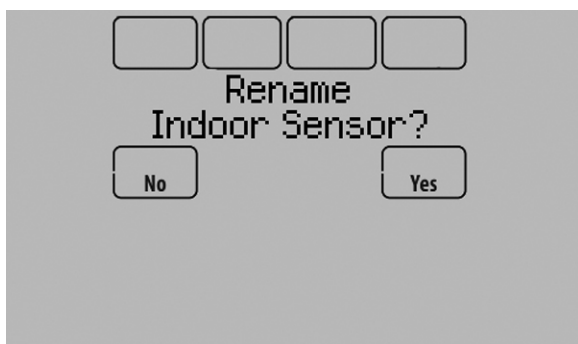
**NOTE:** In normal operation, the status light remains off. If it begins flashing red, batteries are low (power will be depleted after 2–3 weeks).

2. After a short delay (up to 15 seconds), check thermostat to confirm the connection of the sensor.



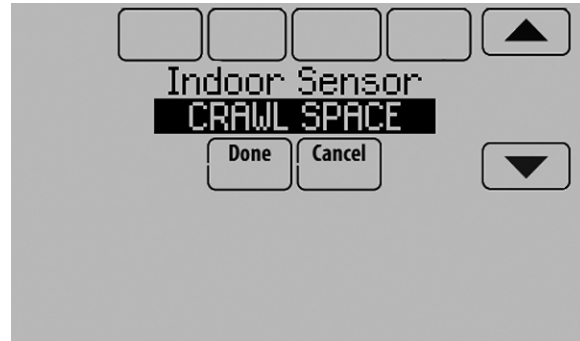
**Fig. 52.**

3. If you are installing more than 1 wireless indoor sensor, give each sensor a name as you install it. Press Yes when the “Rename Indoor Sensor?” screen is displayed, as shown in Fig. 53.



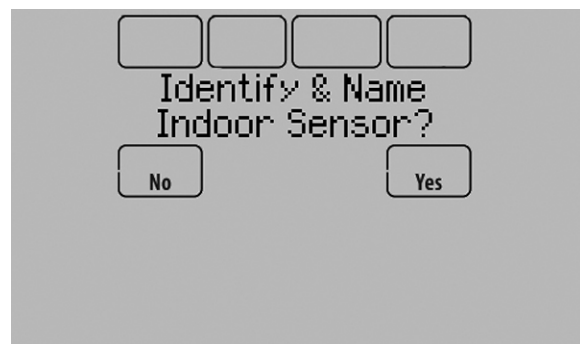
**Fig. 53.**

4. Select the Indoor Sensor name from the list and press Done. The Indoor Sensor names are used when selecting which sensor to use for temperature control, humidification control, and dehumidification control.



**Fig. 54.**

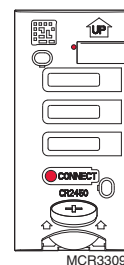
**NOTE:** If you link more than 1 wireless indoor sensor, and forget to name them, you will be prompted to name each wireless indoor sensor after you exit wireless setup. See Fig. 55.



**Fig. 55.**

## Entry/Exit Remote or Vent Boost Remote

1. Press and quickly release the CONNECT button.



**Fig. 56. Connect button and status light on Entry/Exit Remote or Vent Boost Remote.**

2. After a short delay, the status light will glow green for 15 seconds. If the status light turns red, the remote did not link with the thermostat for the connection process.

**NOTE:** The thermostat can work with up to 3 Entry/Exit remotes. Each Entry/Exit remote can control up to 16 thermostats.

**NOTE:** The thermostat can work with up to 6 Vent Boost remotes.



## Finding Your Password (Date Code) to Access Installer Options

You need a password (Date Code) to access Installer Options. Installer Options allow you to:

- Make changes to the Installer Setup.
- Perform an Installer Test.
- Add, remove, rename or view connected RedLINK accessories.
- Reset the thermostat to Factory Default settings.

The password (Date Code) is located on the back of the thermostat. It can also be found by following these steps:

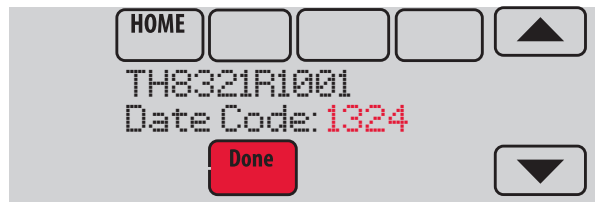
1. Touch Menu.
2. Select Dealer Information.



MCR34022

Fig. 57.

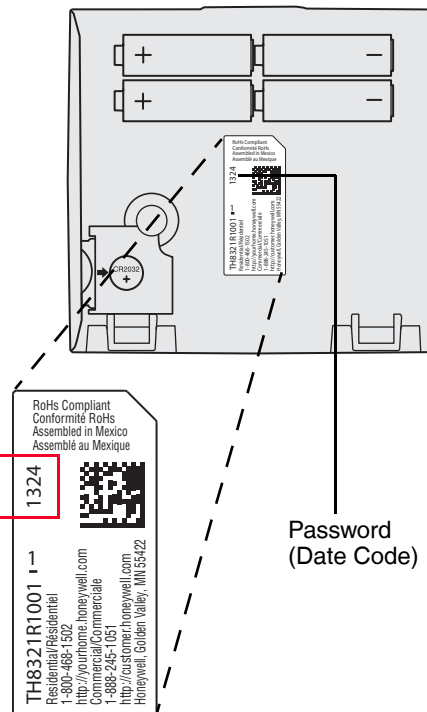
3. Scroll down to see the Date Code.



MCR33975

Fig. 58.

## Thermostat Password (Date Code)



Password (Date Code)

Fig. 59. Locate password.

The following options are available when you access Installer Options. For more information on each, press Help on the thermostat or see Table 1.

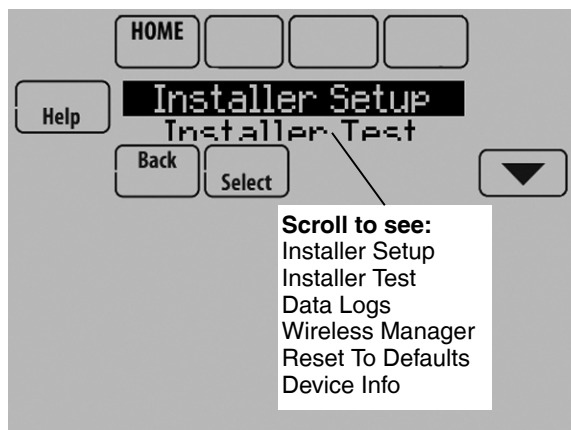


Fig. 60.

**Table 1. Installer Options.**

Menu Item	Description
Installer Setup	Select INSTALLER SETUP to set system settings one by one.
Installer Test	Select INSTALLER TEST to quickly determine if the heat, cool, fan and thermostat are operating properly. Minimum off timers are ignored during the test.
Data Logs	Select DATA LOGS to turn off/on the Alerts Log or Interaction Log.
Wireless Manager	Select WIRELESS MANAGER to add, remove, rename or view the connected wireless accessories.
Reset To Defaults	Select RESET TO DEFAULTS to place all thermostat settings back to the factory settings. Note: If the thermostat has been setup WITHOUT an Equipment Interface Module or the TrueZONE Wireless Adapter and you would like to add one, you must reset the thermostat back to factory defaults.
Device Info	For Honeywell use only.

**NOTE:** You can use the thermostat microSD port to download all Installer Setup settings, including your company name and contact information. You can upload this data to each thermostat you install, to save time.

## Make Changes to Installer Setup

**NOTE:** Use a microSD card to save set up time. See “To Use the MicroSD Card in the Thermostat” on page 101.

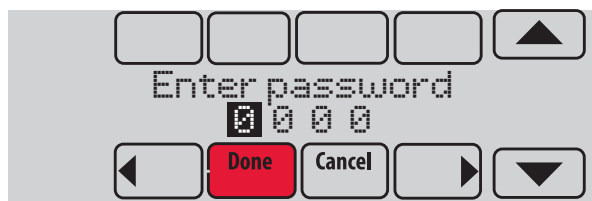
1. Touch Menu.
2. Select Installer Options.



MCR33976

**Fig. 61.**

3. Enter password (date code) and touch Done. See “Finding Your Password (Date Code) to Access Installer Options” beginning on page 19 for more information.



MCR33977

**Fig. 62.**

4. Select Installer Setup.



MCR34015

**Fig. 63.**

5. Follow prompts on the screen to select the desired setup options. See Table 2 for Installer Setup options.

**Table 2. Installer Setup (ISU) Table.**

ISU Number	Installer Setup Name	Settings	Default	Residential, Commercial or Both	Requires EIM	Notes
101	Application	Residential Commercial	Residential	Both	No	
102	Zone Number	1-16	1	Both	No	This ISU is only displayed on a thermostat that is controlling a zone panel through the THM4000 Wireless.
103	Thermostat Name	[Select Thermostat Name]	Thermostat	Both	No	The Portable Comfort Control remote and Web Interface displays the name of the thermostat that you enter on this screen.
104	Thermostat Type	Non-Programmable Programmable	Programmable	Both	No	
105	Temperature Scale	Fahrenheit Celsius	Fahrenheit	Both	No	

Table 2. Installer Setup (ISU) Table. (Continued)

ISU Number	Installer Setup Name	Settings	Default	Residential, Commercial or Both	Requires EIM	Notes
106	Outdoor Air Sensor	No Yes	No	Both	No	This ISU automatically defaults to Yes when a Wireless Outdoor Sensor is connected.  An Outdoor Sensor is required to set the following ISUs: ISU 312 Outdoor Temperature Lockouts (Heat Pump Lockout and Backup Heat Lockout) ISU 405 Outdoor Temperature used with Minimum Heat Recovery Ramp Rate ISU 406 Outdoor Temperature used with Maximum Heat Recovery Ramp Rate ISU 407 Outdoor Temperature used with Minimum Cool Recovery Ramp Rate ISU 408 Outdoor Temperature used with Maximum Cool Recovery Ramp Rate ISU 805 Humidification - Window Protection ISU 1013 Low Outdoor Temperature Ventilation Lockout ISU 1013 High Outdoor Temperature Ventilation Lockout ISU 1013 High Outdoor Dew Point Ventilation Lockout (requires Wireless Outdoor Sensor)
200	Heating System	Conv. Forced Air Heat Pump Radiant Heat Other None (Cool Only)	Conv. Forced Air	Both	No	
201	Heating Equipment	<b>Heat Pump:</b> Air to Air Heat Pump Geothermal Geothermal Radiant	Air to Air Heat Pump	Both	No	This ISU is not displayed when ISU 200 Heating System is set to <b>Conv. Forced Air, Radiant Heat, Other or None (Cool Only)</b> .  See “Geothermal Radiant Heat” beginning on page 78.
203	Radiant Stage 1	None U1 U2 U3	Default varies based on previous selections	Both	No	This ISU is only displayed when ISU 201 Heating Equipment is <b>Geothermal Radiant</b> .  Geothermal Radiant Heat must be wired to a universal terminal (U1, U2, or U3).  U1, U2 and U3 are normally open dry contacts when configured for a stage of Heat. U1, U2 and U3 require power from the system transformer or a separate transformer.  U2 and U3 are only available on the Equipment Interface Module (EIM).
204	Radiant Stage 2	None U1 U2 U3	Default varies based on previous selections	Both	No	This ISU is only displayed when ISU 201 Heating Equipment is <b>Geothermal Radiant</b> .  Geothermal Radiant Heat must be wired to a universal terminal (U1, U2, or U3).  U1, U2 and U3 are normally open dry contacts when configured for a stage of Heat. U1, U2 and U3 require power from the system transformer or a separate transformer.  U2 and U3 are only available on the Equipment Interface Module (EIM).

Table 2. Installer Setup (ISU) Table. (Continued)

ISU Number	Installer Setup Name	Settings	Default	Residential, Commercial or Both	Requires EIM	Notes
205	Geo Forced Air	None Cooling Only Heating and Cooling	Heating and Cooling	Both	No	<p>This thermostat has the capability of controlling Geothermal Radiant Heat, Geothermal Forced Air and Backup Heat.</p> <p>If this thermostat is not controlling the Geothermal Forced Air System, select <b>None</b>. This setting is typically used if the thermostat is only controlling Geothermal Radiant Heat.</p> <p>If this thermostat is using the Geothermal Forced Air System for cooling and not for heating, select <b>Cooling Only</b>.</p> <p>If this thermostat is using the Geothermal Forced Air System for both heating and cooling, select <b>Heating and Cooling</b>.</p>
206	Reversing Valve	O (O/B on Cool) B (O/B on Heat)	O/B on Cool	Both	No	Only displayed if the equipment type is Air to Air Heat Pump, Geothermal or Geothermal Radiant.
207	Cool Stages / Compressor Stages	1-4	1 if ISU 101 is Residential  2 if ISU 101 is Commercial	Both	No	<p><b>Conventional:</b> Cool Stage 3 and 4 are only available if ISU 101 is Commercial.</p> <p>Cool Stage 3 and 4 must be wired to a universal terminal (U1, U2 or U3).</p> <p><b>Heat Pumps:</b> Maximum of 2 Compressor Stages for heat pump systems.</p>
202, 207	Heat Stages / Backup Heat Stages	1 - 3	Default is 1 stage if ISU 101 Application is Residential  Default is 2 stages if ISU 101 Application is Commercial	Both	No	<p>Maximum of 3 Heat Stages for conventional systems.</p> <p>Maximum of 2 Backup Heat Stages for systems with more than 1 heating equipment type.</p>
208	Cool Stage 3	None U1 U2 U3	Default varies based on previous selections	Commercial	No	<p>Cool Stage 3 is only available if ISU 1010 is Commercial.</p> <p>Cool Stage 3 must be wired to a universal terminal (U1, U2 or U3).</p> <p>U1, U2 and U3 are normally open dry contacts when configured for a stage of Cool. U1, U2 and U3 require power from a system transformer or a separate transformer.</p> <p>U2 and U3 are only available on the Equipment Interface Module (EIM).</p>

Table 2. Installer Setup (ISU) Table. (Continued)

ISU Number	Installer Setup Name	Settings	Default	Residential, Commercial or Both	Requires EIM	Notes
209	Cool Stage 4	None U1 U2 U3	Default varies based on previous selections	Commercial	Yes	<p>Cool Stage 4 is only available if ISU 101 is Commercial.</p> <p>Cool Stage 4 must be wired to a universal terminal (U1, U2 or U3).</p> <p>U1, U2 and U3 are normally open dry contacts when configured for a stage of Cool. U1, U2 and U3 require power from a system transformer or a separate transformer.</p> <p>U2 and U3 are only available on the Equipment Interface Module (EIM).</p>
210	Heat Stage 3	None U1 U2 U3	Default varies based on previous selections	Both	No	<p><b>TH8321 Thermostat Only:</b> This ISU is only displayed on the TH8321 thermostat when it is wired directly to the equipment (Equipment Interface Module is NOT used).</p> <p>Heat Stage 3 must be wired to a universal terminal (U1).</p> <p>U1 is a normally open dry contact when configured for a stage of Heat. U1 requires power from a system transformer or a separate transformer.</p>
211	Fan Control in Heat	No Fan Equip Controls Fan Tstat Controls Fan	Equip Controls Fan	Both	No	<b>No Fan</b> is only displayed when ISU 201 Heating Equipment is <b>Other</b> .
212	Backup Heat Type	None Electric Gas/Oil	None	Both	No	<p>This ISU is only displayed when ISU 201 Heating Equipment is <b>Radiant Heat</b> or <b>Other</b>.</p> <p>When ISU 201 Heating Equipment is <b>Radiant Heat</b>, the thermostat keeps the Radiant Heat on when it calls for Backup Heat.</p> <p>When ISU 201 Heating Equipment is <b>Other</b>, you can select how the backup operates. See ISU 215.</p>
213	Backup Heat Stages	0 - 2	1	Both	No	<p>This ISU is only displayed when a backup heat source is selected at ISU 212 Backup Heat Type.</p> <p>Maximum of 2 Backup Heat stages.</p>
214	Backup Heat Stg 2	None U1	Default varies based on previous selections	Both	No	<p><b>TH8321 Thermostat Only:</b> This ISU is only displayed on the TH8321 thermostat when it is wired directly to the equipment (Equipment Interface Module is NOT used).</p> <p>The thermostat can support up to 3 conventional heat stages. When there are a total of 3 conventional heat stages, the last stage of heat must be wired to U1.</p> <p>U1 is a normally open dry contact when configured for a stage of Heat. U1 requires power from a system transformer or a separate transformer.</p>

Table 2. Installer Setup (ISU) Table. (Continued)

ISU Number	Installer Setup Name	Settings	Default	Residential, Commercial or Both	Requires EIM	Notes
215	Run Backup Heat with Primary	No Yes	No	Both	No	<p>This ISU is only displayed when ISU 201 Heating Equipment is <b>Other</b>.</p> <p>When ISU 201 Heating Equipment is <b>Other</b>, you can select how the Backup Heat operates. The thermostat can be setup to keep the primary heat source on when it calls for Backup Heat or the thermostat can be setup to turn off the primary heat source when it calls for Backup Heat.</p> <p>When ISU 201 Heating Equipment is <b>Radiant Heat</b>, the thermostat keeps the Radiant Heat on when it calls for Backup Heat.</p>
216	Backup Heat Fan	Equip Controls Fan Tstat Controls Fan	Tstat Controls Fan	Both	No	<p>This ISU is only displayed for conventional systems when ISU 212 Backup Heat Type is <b>Electric</b>.</p> <p>Backup Heat Fan Operation automatically defaults to <b>Equip Controls Fan</b> when ISU 212 Backup Heat Type is <b>Gas/Oil</b>.</p>
217	Backup Heat Stage 2	None U1	Default varies based on previous selections	Both	No	<p><b>TH8321 Thermostat Only:</b> This ISU is only displayed on the TH8321 thermostat when it is wired directly to the equipment (Equipment Interface Module is NOT used).</p> <p>The thermostat can support up to 2 backup heat stages for heat pump applications. When there are 2 backup heat stages, backup heat stage 2 must be wired to U1.</p> <p>U1 is a normally open dry contact when configured for a stage of Heat. U1 requires power from a system transformer or a separate transformer.</p>
218	Backup Heat Type	Electric Gas/Oil	Electric	Both	No	<p>This ISU is only displayed when ISU 201 Heating Equipment is <b>Air to Air Heat Pump, Geothermal or Geothermal Radiant</b> and there is at least one stage of backup heat.</p> <p>See "Heat Pump and Backup Heat Operation" beginning on page 78.</p>
219	External Fossil Fuel Kit	No Yes	No	Both	No	<p>This ISU is only displayed when ISU 201 Heating Equipment is <b>Air to Air Heat Pump, Geothermal or Geothermal Radiant</b> and ISU 218 Backup Heat Type is <b>Gas/Oil</b>.</p>

Table 2. Installer Setup (ISU) Table. (Continued)

ISU Number	Installer Setup Name	Settings	Default	Residential, Commercial or Both	Requires EIM	Notes
222	A-L/A Terminal	None Time Of Day Economizer Heat Pump Fault	None	Commercial	No	<p>This ISU is only displayed when ISU 101 Application is <b>Commercial</b>.</p> <p><b>Note:</b> When the thermostat is setup for Residential, the L/A terminal operates as described under "Heat Pump Fault". The L/A terminal requires no setup for residential applications.</p> <p><b>None:</b> The A-L/A terminal is not used.</p> <p><b>Time of Day:</b> The A-L/A terminal is energized during Occupied periods and when the user overrides the temperature. The terminal is de-energized during Unoccupied periods and in Standby mode.</p> <p><b>Economizer:</b> The thermostat controls an economizer module to provide ventilation during Occupied periods and free cooling when outdoor conditions are favorable. The A-L/A terminal is energized during Occupied periods and during a call for cooling in Unoccupied periods. See "Economizer and Time of Day (TOD) Operation" beginning on page 106.</p> <p><b>Notes:</b> The economizer module determines when outdoor conditions are favorable for free cooling.</p> <p><b>Heat Pump Fault:</b> When 24 volts is detected on the L/A terminal (compressor monitor), the thermostat displays a message to alert the user when the heat pump requires service. The L/A terminal sends a continuous output to a zone panel when the thermostat is set to Emergency Heat mode. The zone panel will not turn on the heat pump when a zone is set to Emergency Heat mode.</p>
300	System Changeover	Manual Automatic	<p><b>Manual:</b> if ISU 101 is Residential</p> <p><b>Automatic:</b> if ISU 101 is Commercial</p>	Both	No	<p><b>Manual:</b> The user must select heating or cooling as needed to maintain the desired indoor temperature.</p> <p><b>Automatic:</b> The user has the option to select Auto for the system setting. In Auto mode, the thermostat controls heating and cooling equipment as needed to maintain the desired indoor temperature.</p>



Table 2. Installer Setup (ISU) Table. (Continued)

ISU Number	Installer Setup Name	Settings	Default	Residential, Commercial or Both	Requires EIM	Notes
300	Auto Changeover Deadband	2° F to 9° F (in 1° F increments)	3° F	Both	No	<p>This ISU is only displayed when ISU 300 is set to <b>Automatic</b>.</p> <p>Deadband is the minimum separation between heat and cool settings when the thermostat is setup for Auto Changeover. For example, if the deadband is set to 3° F and the cool setpoint is 75° F, the warmest heat setpoint allowed would be 72° F. If the heat setpoint is adjusted above 72° F, it will automatically adjust the cooling setpoint higher to maintain the 3° F deadband.</p> <p>When ISU 907 or ISU 910 (Dehum Over Cooling Limit) is set to 1, 2, 3, 4 or 5 F, the thermostat will not show the full Deadband range. For example, if you set a Deadband of 3 F and an Over Cooling Limit of 2 F, the minimum Deadband that you can select will be 5 F. This prevents the heating system from turning on when the thermostat over cools to reach the dehumidification setting.</p>
301	Control Options	Basic Options Advanced Options	Basic Options	Both	No	<p><b>Basic Options:</b> The Installer Setup displays basic temperature control options which include Backup Heat Droop, Backup Heat Upstage Timer, Outdoor Temperature Lockouts and Cycle Rate settings per stage.</p> <p>Note: Outdoor Temperature Lockouts only apply to Heat Pump applications.</p> <p><b>Advanced Options:</b> The Installer Setup displays both Basic and Advanced Options. Advanced temperature control options include Finish With High Cool Stage, Finish With High Heat Stage, and Temperature Differential settings between all stages.</p>
302	Finish With High Cool Stage	No Yes	No	Both	No	<p>ISU 301 Control Options must be set to <b>Advanced</b> to view or adjust <b>Finish With High Cool Stage</b>.</p> <p>This ISU is only displayed when the thermostat is set for 2 or more cool stages.</p> <p>When set to <b>Yes</b>, this feature keeps the high stage of the cooling equipment running until the desired setpoint is reached.</p>
302	Finish With High Heat Stage	No Yes	No	Both	No	<p>ISU 301 Control Options must be set to <b>Advanced</b> to view or adjust <b>Finish With High Heat Stage</b>.</p> <p>This ISU is only displayed when the thermostat is set for 2 or more heat stages.</p> <p>When set to <b>Yes</b>, this feature keeps the high stage of the heating equipment running until the desired setpoint is reached.</p>

Table 2. Installer Setup (ISU) Table. (Continued)

ISU Number	Installer Setup Name	Settings	Default	Residential, Commercial or Both	Requires EIM	Notes
303	Cool Differential Stage 2	Comfort 1.0° F to 3.5° F from setpoint (in 0.5° F increments)	Comfort	Both	No	<p>ISU 301 Control Options must be set to <b>Advanced</b> to view or adjust this ISU.</p> <p>This ISU is only displayed when the thermostat is set to 2 cool stages.</p> <p>The indoor temperature must rise to the selected differential setting before the thermostat turns on the stage of cooling. For example, if stage 2 is set to 2° F (1.0° C), the indoor temperature must be 2° F (1.0° C) away from the setpoint before stage 2 turns on. When set to <b>Comfort</b>, the thermostat uses the stage of cooling as needed to keep the indoor temperature within 1° F (0.5° C) degree of the setpoint.</p>
303	Cool Differential Stage 3	Comfort 1.0°F - 4.0°F from setpoint (in 0.5° F increments)	Comfort	Commercial	No	<p>ISU 301 Control Options must be set to <b>Advanced</b> to view or adjust this ISU.</p> <p>This ISU is only displayed when the thermostat is set to 3 cool stages.</p> <p>The indoor temperature must rise to the selected differential setting before the thermostat turns on the stage of cooling. For example, if stage 3 is set to 2° F (1.0° C), the indoor temperature must be 2° F (1.0° C) away from the setpoint before stage 3 turns on. When set to <b>Comfort</b>, the thermostat uses the stage of cooling as needed to keep the indoor temperature within 1° F (0.5° C) degree of the setpoint.</p>
303	Cool Differential Stage 4	Comfort 1.0° F to 4.5° F from setpoint (in 0.5° F increments)	Comfort	Commercial	Yes	<p>ISU 301 Control Options must be set to <b>Advanced</b> to view or adjust this ISU.</p> <p>This ISU is only displayed when the thermostat is set to 4 cool stages.</p> <p>The indoor temperature must rise to the selected differential setting before the thermostat turns on the stage of cooling. For example, if stage 4 is set to 2° F (1.0° C), the indoor temperature must be 2° F (1.0° C) away from the setpoint before stage 4 turns on. When set to <b>Comfort</b>, the thermostat uses the stage of cooling as needed to keep the indoor temperature within 1° F (0.5° C) degree of the setpoint.</p>

Table 2. Installer Setup (ISU) Table. (Continued)

ISU Number	Installer Setup Name	Settings	Default	Residential, Commercial or Both	Requires EIM	Notes
304	Radiant Heat Diff. Stage 2	Comfort 1.0° F to 3.5° F from setpoint (in 0.5° F increments)	Comfort	Both	No	<p>ISU 301 Control Options must be set to <b>Advanced</b> to view or adjust this ISU.</p> <p>This ISU is only displayed if ISU 201 Heating Equipment is <b>Geothermal Radiant</b> and there are 2 radiant heat stages.</p> <p>The indoor temperature must drop to the selected differential setting before the thermostat will turn on the stage of heating. For example, if stage 2 is set to 2° F (1.0° C), the indoor temperature must be 2° F (1.0° C) away from the setpoint before stage 2 turns on. When set to <b>Comfort</b>, the thermostat will use the stage of heating as needed to keep the indoor temperature within 1° F (0.5° C) degree of the setpoint.</p>
305	Heat Differential Stage 2  Note: Depending on the application, the text displayed on the screen may show the specific heating equipment type	Comfort 1.0° F to 3.5° F from setpoint (in 0.5° F increments)	Comfort	Both	No	<p>ISU 301 Control Options must be set to <b>Advanced</b> to view or adjust this ISU.</p> <p>This ISU is only displayed for conventional systems that have 2 heat stages.</p> <p>The indoor temperature must drop to the selected differential setting before the thermostat will turn on the stage of heating. For example, if stage 2 is set to 2° F (1.0° C), the indoor temperature must be 2° F (1.0° C) away from the setpoint before stage 2 turns on. When set to <b>Comfort</b>, the thermostat will use the stage of heating as needed to keep the indoor temperature within 1° F (0.5° C) degree of the setpoint.</p>
305	Heat Differential Stage 3  Note: Depending on the application, the text displayed on the screen may show the specific heating equipment type	Comfort 1.0° F to 4.0° F from setpoint (in 0.5° F increments)	Comfort	Both	No	<p>ISU 301 Temperature Control Options must be set to <b>Advanced</b> to view or adjust this ISU.</p> <p>This ISU is only displayed for conventional systems that have 3 heat stages.</p> <p>The indoor temperature must drop to the selected differential setting before the thermostat will turn on the stage of heating. For example, if stage 3 is set to 2° F (1.0° C), the indoor temperature must be 2° F (1.0° C) away from the setpoint before stage 3 turns on. When set to <b>Comfort</b>, the thermostat will use the stage of heating as needed to keep the indoor temperature within 1° F (0.5° C) degree of the setpoint.</p>

Table 2. Installer Setup (ISU) Table. (Continued)

ISU Number	Installer Setup Name	Settings	Default	Residential, Commercial or Both	Requires EIM	Notes
306	Compressor Heat Diff. Stage 1	Comfort 1.0° F to 4.0° F from setpoint (in 0.5° F increments)	Comfort	Both	No	<p>ISU 301 Control Options must be set to <b>Advanced</b> to view or adjust this ISU.</p> <p>This ISU is only displayed if ISU 201 Heating Equipment is <b>Geothermal Radiant</b> and ISU 205 Geo Forced Air is set to <b>Heating and Cooling</b>.</p> <p>The indoor temperature must drop to the selected differential setting before the thermostat will turn on the stage of heating. For example, if stage 1 is set to 2° F (1.0° C), the indoor temperature must be 2° F (1.0° C) away from the setpoint before stage 1 turns on. When set to <b>Comfort</b>, the thermostat will use the stage of heating as needed to keep the indoor temperature within 1° F (0.5° C) degree of the setpoint.</p>
306	Compressor Heat Diff. Stage 2	Comfort 1.0° F to 4.5° F from setpoint (in 0.5° F increments)	Comfort	Both	No	<p>ISU 301 Control Options must be set to <b>Advanced</b> to view or adjust this ISU.</p> <p>This ISU is only displayed if ISU 201 Heating Equipment is <b>Air to Air Heat Pump, Geothermal or Geothermal Radiant</b> and there are 2 compressor stages.</p> <p>The indoor temperature must drop to the selected differential setting before the thermostat will turn on the stage of heating. For example, if stage 2 is set to 2° F (1.0° C), the indoor temperature must be 2° F (1.0° C) away from the setpoint before stage 2 turns on. When set to <b>Comfort</b>, the thermostat will use the stage of heating as needed to keep the indoor temperature within 1° F (0.5° C) degree of the setpoint.</p>
308, 309	Backup Heat Droop Stage 1  Note: "Stage 1" is not displayed if there is only 1 stage of Backup Heat.	Comfort 2.0° F to 15.0° F from setpoint (in 0.5° F increments)	Comfort	Both	No	<p>A backup heat droop can be set on any system that has more than one heating equipment type.</p> <p>See "Backup Heat Droop" beginning on page 76.</p> <p>The <b>Comfort</b> setting is NOT available for Dual Fuel systems. For example, Heat Pumps with Gas Forced Air.</p>

Table 2. Installer Setup (ISU) Table. (Continued)

ISU Number	Installer Setup Name	Settings	Default	Residential, Commercial or Both	Requires EIM	Notes
308, 309	Backup Heat Droop Stage 2	Comfort 2.0° F to 15.5° F from setpoint (in 0.5° F increments)	Comfort	Both	No	<p>ISU 301 Control Options must be set to <b>Advanced</b> to view or adjust <b>Backup Heat Droop Stage 2</b>.</p> <p>This ISU is only displayed if there are 2 backup heat stages.</p> <p>The indoor temperature must drop to the selected droop setting before the thermostat will turn on backup heat stage 2. For example, if backup heat stage 2 is set to 2° F (1.0° C), the indoor temperature must be 2° F (1.0° C) away from the setpoint before backup heat stage 2 turns on. When set to Comfort, the thermostat will use backup heat stage 2 as needed to keep the indoor temperature within 1° F (0.5° C) degree of the setpoint.</p>
311	Upstage Timer for Backup Heat	Off (30, 45, 60, 75, 90) minutes (2, 3, 4, 5, 6, 8, 10, 12, 14, 16) hours	Off	Both	No	<p>The Backup Heat Upstage Timer starts when the highest stage of the previous heating equipment type turns on. Backup heat will be used (if needed) when the timer expires. See “Backup Heat Upstage Timer” beginning on page 77.</p> <p>This ISU is only displayed when Backup Heat Droop Stage 1 is set to 2 F or higher (ISU 308, 309).</p>
312	Outdoor Lockout Heat Pump	Off 5° F to 60° F (in 5° F increments)	Off (See Notes)	Both	No	<p>ISU 312 Heat Pump Outdoor Lockout requires an outdoor sensor.</p> <p>Default is 40 F if ISU 201 Heating Equipment is <b>Air to Air Heat Pump</b> and ISU 218 Backup Heat Type is <b>Gas/Oil</b>.</p> <p>Default is Off if ISU 201 Heating Equipment is <b>Air to Air Heat Pump</b> and ISU 218 Backup Heat Type is <b>Electric</b>.</p> <p>Default is Off if ISU 201 Heating Equipment is <b>Geothermal</b> or <b>Geothermal Radiant</b>.</p> <p>Heat Pump Outdoor Lockout is optional for any type of heat pump (Air to Air Heat Pump, Geothermal Heat Pump or Geothermal Radiant Heat).</p> <p>See “Heat pump with outdoor temperature lockouts” beginning on page 78.</p>
312	Outdoor Lockout Backup Heat	Off 5° F to 65° F (in 5° F increments)	Off	Both	No	<p>ISU 312 Backup Heat Outdoor Temperature Lockout requires an outdoor sensor.</p> <p>This ISU is only displayed if ISU 201 Heating Equipment is <b>Air to Air Heat Pump</b>, <b>Geothermal</b> or <b>Geothermal Radiant</b> and ISU 219 External fossil fuel kit is set to <b>No</b>.</p> <p>See “Heat pump with outdoor temperature lockouts” beginning on page 78.</p>

Table 2. Installer Setup (ISU) Table. (Continued)

ISU Number	Installer Setup Name	Settings	Default	Residential, Commercial or Both	Requires EIM	Notes
313	Radiant Cycles Per Hour Stage 1  Note: "Stage 1" is not displayed if there is only 1 stage of Radiant Heat.	1 to 12 CPH	3	Both	No	This ISU is only displayed when ISU 201 Heating Equipment is <b>Geothermal Radiant</b> .  The thermostat automatically defaults to the recommended setting for Geothermal Radiant Heat (3 CPH).  Cycle rate limits the maximum number of times the system can cycle in a 1 hour period measured at a 50% load. For example, when set to 3 CPH, at a 50% load, the most the system will cycle is 3 times per hour (10 minutes on, 10 minutes off). The system cycles less often when load conditions are less than or greater than a 50% load.
313	Radiant Cycles Per Hour Stage 2	1 to 12 CPH	3	Both	Yes	This ISU is only displayed when ISU 201 Heating Equipment is <b>Geothermal Radiant</b> .  The thermostat automatically defaults to the recommended setting for Geothermal Radiant Heat (3 CPH).  Cycle rate limits the maximum number of times the system can cycle in a 1 hour period measured at a 50% load. For example, when set to 3 CPH, at a 50% load, the most the system will cycle is 3 times per hour (10 minutes on, 10 minutes off). The system cycles less often when load conditions are less than or greater than a 50% load.
314	Cool / Compressor Cycles Per Hour Stage 1  Note: "Stage 1" is not displayed if there is only 1 stage.	1 to 6 CPH	3	Both	No	This ISU is only displayed when ISU 207 Cool / Compressor Stages is set to 1 stage.  Cycle rate limits the maximum number of times the system can cycle in a 1 hour period measured at a 50% load. For example, when set to 3 CPH, at a 50% load, the most the system will cycle is 3 times per hour (10 minutes on, 10 minutes off). The system cycles less often when load conditions are less than or greater than a 50% load.
314	Cool / Compressor Cycles Per Hour Stage 2	1 to 6 CPH	3	Both	No	This ISU is only displayed when ISU 207 Cool / Compressor Stages is set to 2 stages.  Cycle rate limits the maximum number of times the system can cycle in a 1 hour period measured at a 50% load. For example, when set to 3 CPH, at a 50% load, the most the system will cycle is 3 times per hour (10 minutes on, 10 minutes off). The system cycles less often when load conditions are less than or greater than a 50% load.

Table 2. Installer Setup (ISU) Table. (Continued)

ISU Number	Installer Setup Name	Settings	Default	Residential, Commercial or Both	Requires EIM	Notes
314	Cool Cycles Per Hour Stage 3	1 to 6 CPH	3	Commercial	No	<p>This ISU is only displayed when ISU 101 Application is set to <b>Commercial</b> and ISU 207 Cool Stages is set to 3 stages.</p> <p>Cycle rate limits the maximum number of times the system can cycle in a 1 hour period measured at a 50% load. For example, when set to 3 CPH, at a 50% load, the most the system will cycle is 3 times per hour (10 minutes on, 10 minutes off). The system cycles less often when load conditions are less than or greater than a 50% load.</p>
314	Cool Cycles Per Hour Stage 4	1 to 6 CPH	3	Commercial	Yes	<p>This ISU is only displayed when ISU 101 Application is set to <b>Commercial</b> and ISU 207 Cool Stages is set to 4 stages.</p> <p>Cycle rate limits the maximum number of times the system can cycle in a 1 hour period measured at a 50% load. For example, when set to 3 CPH, at a 50% load, the most the system will cycle is 3 times per hour (10 minutes on, 10 minutes off). The system cycles less often when load conditions are less than or greater than a 50% load.</p>
315	Heat Cycles Per Hour Stage 1  Note: Depending on the application, the text displayed on the screen may show the specific heating equipment type. "Stage 1" is not displayed if there is only 1 stage.	1 to 12 CPH	Conv. Forced Air = 5 CPH Heat Pump = 3 CPH Radiant Heat = 3 CPH	Both	No	<p>This ISU is only displayed when ISU 207 Heat Stages is set to 1 stage.</p> <p>Cycle rate limits the maximum number of times the system can cycle in a 1 hour period measured at a 50% load. For example, when set to 3 CPH, at a 50% load, the most the system will cycle is 3 times per hour (10 minutes on, 10 minutes off). The system cycles less often when load conditions are less than or greater than a 50% load. The recommended cycle rate settings are below for each heating equipment type:</p> <p>Standard Efficiency Gas Forced Air = 5 CPH High Efficiency Gas Forced Air = 3 CPH Oil Forced Air = 5 CPH Electric Forced Air = 9 CPH Hot Water Fan Coil = 3 CPH Hot Water Radiant Heat = 3 CPH Geothermal Radiant Heat = 3 CPH Steam = 1 CPH Gravity = 1 CPH</p>



Table 2. Installer Setup (ISU) Table. (Continued)

ISU Number	Installer Setup Name	Settings	Default	Residential, Commercial or Both	Requires EIM	Notes
315	Heat Cycles Per Hour Stage 2  Note: Depending on the application, the text displayed on the screen may show the specific heating equipment type.	1 to 12 CPH	Conv. Forced Air = 5 CPH Heat Pump = 3 CPH Radiant Heat = 3 CPH	Both	No	This ISU is only displayed when ISU 207 Heat Stages is set to 2 stages. Cycle rate limits the maximum number of times the system can cycle in a 1 hour period measured at a 50% load. For example, when set to 3 CPH, at a 50% load, the most the system will cycle is 3 times per hour (10 minutes on, 10 minutes off). The system cycles less often when load conditions are less than or greater than a 50% load. The recommended cycle rate settings are below for each heating equipment type:  Standard Efficiency Gas Forced Air = 5 CPH High Efficiency Gas Forced Air = 3 CPH Oil Forced Air = 5 CPH Electric Forced Air = 9 CPH Hot Water Fan Coil = 3 CPH Hot Water Radiant Heat = 3 CPH Geothermal Radiant Heat = 3 CPH Steam = 1 CPH Gravity = 1 CPH
315	Heat Cycles Per Hour Stage 3  Note: Depending on the application, the text displayed on the screen may show the specific heating equipment type.	1 to 12 CPH	Conv. Forced Air = 5 CPH Heat Pump = 3 CPH Radiant Heat = 3 CPH	Both	No	This ISU is only displayed when ISU 207 Heat Stages is set to 3 stages. Cycle rate limits the maximum number of times the system can cycle in a 1 hour period measured at a 50% load. For example, when set to 3 CPH, at a 50% load, the most the system will cycle is 3 times per hour (10 minutes on, 10 minutes off). The system cycles less often when load conditions are less than or greater than a 50% load. The recommended cycle rate settings are below for each heating equipment type:  Standard Efficiency Gas Forced Air = 5 CPH High Efficiency Gas Forced Air = 3 CPH Oil Forced Air = 5 CPH Electric Forced Air = 9 CPH Hot Water Fan Coil = 3 CPH Hot Water Radiant Heat = 3 CPH Geothermal Radiant Heat = 3 CPH Steam = 1 CPH Gravity = 1 CPH

Table 2. Installer Setup (ISU) Table. (Continued)

ISU Number	Installer Setup Name	Settings	Default	Residential, Commercial or Both	Requires EIM	Notes
316	Backup Heat Cycles Per Hour Stage 1  Note: "Stage 1" is not displayed if there is only 1 stage.	1 to 12 CPH	Electric = 9 CPH Gas / Oil = 5 CPH	Both	No	This ISU is only displayed when ISU 207 or 213 Backup Heat Stages is set to 1 stage.  Cycle rate limits the maximum number of times the system can cycle in a 1 hour period measured at a 50% load. For example, when set to 3 CPH, at a 50% load, the most the system will cycle is 3 times per hour (10 minutes on, 10 minutes off). The system cycles less often when load conditions are less than or greater than a 50% load. The recommended cycle rate settings are below for each heating equipment type:  Standard Efficiency Gas Forced Air = 5 CPH High Efficiency Gas Forced Air = 3 CPH Oil Forced Air = 5 CPH Electric Forced Air = 9 CPH Hot Water Fan Coil = 3 CPH Hot Water Radiant Heat = 3 CPH Geothermal Radiant Heat = 3 CPH Steam = 1 CPH Gravity = 1 CPH
316	Backup Heat Cycles Per Hour Stage 2	1 to 12 CPH	Electric = 9 CPH Gas / Oil = 5 CPH	Both	No	This ISU is only displayed when ISU 207 or 213 Backup Heat Stages is set to 2 stages.  Cycle rate limits the maximum number of times the system can cycle in a 1 hour period measured at a 50% load. For example, when set to 3 CPH, at a 50% load, the most the system will cycle is 3 times per hour (10 minutes on, 10 minutes off). The system cycles less often when load conditions are less than or greater than a 50% load. The recommended cycle rate settings are below for each heating equipment type:  Standard Efficiency Gas Forced Air = 5 CPH High Efficiency Gas Forced Air = 3 CPH Oil Forced Air = 5 CPH Electric Forced Air = 9 CPH Hot Water Fan Coil = 3 CPH Hot Water Radiant Heat = 3 CPH Geothermal Radiant Heat = 3 CPH Steam = 1 CPH Gravity = 1 CPH
324	Compressor Off Time	Off 1 - 5 minutes	5 minutes	Both	No	The thermostat has a built in compressor protection (minimum off timer) that prevents the compressor from restarting too early after a shutdown. The minimum-off timer is activated after the compressor turns off.  If there is a call during the minimum-off timer, the thermostat shows "Wait" in the display.
326	Extended Fan Run Time in Cool	0, 30, 60, 90 seconds, 2, 3, 4, 5, 6, 7, 8, 9, 10, 11, 12, 13, 14, 15 minutes	0 seconds	Both	No	After the call for cooling ends, the thermostat keeps the fan on for the selected amount of time for increased efficiency. This may re-introduce humidity into the living space.
326	Extended Fan Run Time in Heat	0, 30, 60, 90 seconds, 2, 3, 4, 5, 6, 7, 8, 9, 10, 11, 12, 13, 14, 15 minutes	0 seconds	Both	No	After the call for heating ends, the thermostat keeps the fan on for the selected amount of time for increased efficiency.

Table 2. Installer Setup (ISU) Table. (Continued)

ISU Number	Installer Setup Name	Settings	Default	Residential, Commercial or Both	Requires EIM	Notes
400	Scheduled Periods	2 or 4 periods per day	4 periods per day	Both	No	Residential: 4 Periods = Wake, Leave, Return, Sleep 2 Periods = Wake, Sleep  Commercial: 4 Periods = Occupied 1, Unoccupied 1, Occupied 2, Unoccupied 2 2 Periods = Occupied 1, Unoccupied 1
401	Pre-Occupancy Purge	Off 1 hour 2 hour 3 hour	Off	Commercial	No	Runs the fan 1 to 3 hours before each occupied period to provide a comfortable workplace upon arrival.
402	Type of Override	Standard Initiate Occupancy	Standard	Commercial	No	Standard: The system maintains temperatures programmed for the occupied and unoccupied time periods. Pressing OVERRIDE will allow the user to make a temporary schedule change.  Initiate Occupancy: The system maintains temperature at an energy saving level until the user touches the message center area on the thermostat. Note: The message center displays <b>Press HERE to Start Occupancy</b> . The system will then maintain a comfortable temperature until the occupied period ends. This option is recommended for cost savings when the workplace is used infrequently or arrival times change from day to day (example - schools). After the user touches <b>Press HERE to Start Occupancy</b> , the user will still be able to perform a standard <b>OVERRIDE</b> of the schedule.
403	Override Duration	No Limit 1 to 12 Hours	3 hours	Commercial	No	When the user presses the OVERRIDE button, the thermostat will maintain the new temperature for at least 1 hour. The user can adjust the Hold Until time from 1 hour to the amount set for the <b>Override Duration</b> (1-12 hours). Default setting is 3 hours. If set to No Limit, the user can adjust the Hold Until time up to 24 hours.

Table 2. Installer Setup (ISU) Table. (Continued)

ISU Number	Installer Setup Name	Settings	Default	Residential, Commercial or Both	Requires EIM	Notes
405	Min. Heat Recovery Ramp Rate	Off 1° F/hr to 20° F/hr	5° F/hr	Commercial	No	<p>Off: The heating system will begin recovery at the time that is scheduled.</p> <p>When a <b>Minimum Recovery Ramp Rate</b> is set, the thermostat will begin recovery early to ensure the temperature is reached at the scheduled time.</p> <p>Set a <b>Minimum Recovery Ramp Rate</b> based on the rate that the heating system can recover at for a cold day in your region. Default setting is 5° F / hour.</p> <p>If an outdoor sensor is installed, set an <b>Outdoor Temperature</b> that is representative of a cold day in your region to be associated with the <b>Minimum Recovery Ramp Rate</b>. The thermostat will begin recovery at the optimal time based on a calculated ramp rate, allowing the system to recover on time and save energy during changing outdoor conditions.</p> <p>During recovery, the setpoint changes at a rate in degrees per hour depending on the outdoor temperature. If there is no outdoor sensor, the <b>Minimum Recovery Ramp Rate</b> is used.</p>
405	Min. Heat Recovery Outdoor Temp	Off -20° F to 100°F	0° F	Commercial	No	<p>Off: The heating system will begin recovery at the time that is scheduled.</p> <p>When a <b>Minimum Recovery Ramp Rate</b> is set, the thermostat will begin recovery early to ensure the temperature is reached at the scheduled time.</p> <p>Set a <b>Minimum Recovery Ramp Rate</b> based on the rate that the heating system can recover at for a cold day in your region. Default setting is 5° F / hour.</p> <p>If an outdoor sensor is installed, set an <b>Outdoor Temperature</b> that is representative of a cold day in your region to be associated with the <b>Minimum Recovery Ramp Rate</b>. The thermostat will begin recovery at the optimal time based on a calculated ramp rate, allowing the system to recover on time and save energy during changing outdoor conditions.</p> <p>During recovery, the setpoint changes at a rate in degrees per hour depending on the outdoor temperature. If there is no outdoor sensor, the <b>Minimum Recovery Ramp Rate</b> is used.</p>

Table 2. Installer Setup (ISU) Table. (Continued)

ISU Number	Installer Setup Name	Settings	Default	Residential, Commercial or Both	Requires EIM	Notes
406	Max. Heat Recovery Ramp Rate	Off 1° F/hr to 20° F/hr	8° F/hr	Commercial	No	<p>Off: The heating system will begin recovery at the time that is scheduled.</p> <p>When a <b>Maximum Recovery Ramp Rate</b> is set, the thermostat will begin recovery early to ensure the temperature is reached at the scheduled time.</p> <p>Set a <b>Maximum Recovery Ramp Rate</b> based on the rate that the heating system can recover at for a mild day in your region. Default setting is 8° F / hour.</p> <p>Set an <b>Outdoor Temperature</b> that is representative of a mild day in your region to be associated with the <b>Maximum Recovery Ramp Rate</b>. The thermostat will begin recovery at the optimal time based on a calculated ramp rate, allowing the system to recover on time and save energy during changing outdoor conditions.</p> <p>During recovery, the setpoint changes at a rate in degrees per hour depending on the outdoor temperature.</p>
406	Max. Heat Recovery Outdoor Temp	Off -20° F to 100° F	40° F	Commercial	No	<p>Off: The heating system will begin recovery at the time that is scheduled.</p> <p>When a <b>Maximum Recovery Ramp Rate</b> is set, the thermostat will begin recovery early to ensure the temperature is reached at the scheduled time.</p> <p>Set a <b>Maximum Recovery Ramp Rate</b> based on the rate that the heating system can recover at for a mild day in your region. Default setting is 8° F / hour.</p> <p>Set an <b>Outdoor Temperature</b> that is representative of a mild day in your region to be associated with the <b>Maximum Recovery Ramp Rate</b>. The thermostat will begin recovery at the optimal time based on a calculated ramp rate, allowing the system to recover on time and save energy during changing outdoor conditions.</p> <p>During recovery, the setpoint changes at a rate in degrees per hour depending on the outdoor temperature.</p>

Table 2. Installer Setup (ISU) Table. (Continued)

ISU Number	Installer Setup Name	Settings	Default	Residential, Commercial or Both	Requires EIM	Notes
407	Min. Cool Recovery Ramp Rate	Off 1° F/hr to 20° F/hr	3° F/hr	Commercial	No	<p>Off: The cooling system will begin recovery at the time that is scheduled.</p> <p>When a <b>Minimum Recovery Ramp Rate</b> is set, the thermostat will begin recovery early to ensure the temperature is reached at the scheduled time.</p> <p>Set a <b>Minimum Recovery Ramp Rate</b> based on the rate that the cooling system can recover at for a hot day in your region. Default setting is 3° F / hour.</p> <p>If an outdoor sensor is installed, set an <b>Outdoor Temperature</b> that is representative of a hot day in your region to be associated with the <b>Minimum Recovery Ramp Rate</b>. The thermostat will begin recovery at the optimal time based on a calculated ramp rate, allowing the system to recover on time and save energy during changing outdoor conditions.</p> <p>During recovery, the setpoint changes at a rate in degrees per hour depending on the outdoor temperature. If there is no outdoor sensor, the <b>Minimum Recovery Ramp Rate</b> is used.</p>
407	Min. Cool Recovery Outdoor Temp	Off -20° F to 100° F	90° F	Commercial	No	<p>Off: The cooling system will begin recovery at the time that is scheduled.</p> <p>When a <b>Minimum Recovery Ramp Rate</b> is set, the thermostat will begin recovery early to ensure the temperature is reached at the scheduled time.</p> <p>Set a <b>Minimum Recovery Ramp Rate</b> based on the rate that the cooling system can recover at for a hot day in your region. Default setting is 3° F / hour.</p> <p>If an outdoor sensor is installed, set an <b>Outdoor Temperature</b> that is representative of a hot day in your region to be associated with the <b>Minimum Recovery Ramp Rate</b>. The thermostat will begin recovery at the optimal time based on a calculated ramp rate, allowing the system to recover on time and save energy during changing outdoor conditions.</p> <p>During recovery, the setpoint changes at a rate in degrees per hour depending on the outdoor temperature. If there is no outdoor sensor, the <b>Minimum Recovery Ramp Rate</b> is used.</p>

Table 2. Installer Setup (ISU) Table. (Continued)

ISU Number	Installer Setup Name	Settings	Default	Residential, Commercial or Both	Requires EIM	Notes
408	Max. Cool Recovery Ramp Rate	Off 1° F/hr to 20° F/hr	6° F/hr	Commercial	No	<p>Off: The cooling system will begin recovery at the time that is scheduled.</p> <p>When a <b>Maximum Recovery Ramp Rate</b> is set, the thermostat will begin recovery early to ensure the temperature is reached at the scheduled time.</p> <p>Set a <b>Maximum Recovery Ramp Rate</b> based on the rate that the cooling system can recover at for a mild day in your region. Default setting is 6° F / hour.</p> <p>Set an <b>Outdoor Temperature</b> that is representative of a mild day in your region to be associated with the <b>Maximum Recovery Ramp Rate</b>.</p> <p>The thermostat will begin recovery at the optimal time based on a calculated ramp rate, allowing the system to recover on time and save energy during changing outdoor conditions.</p> <p>During recovery, the setpoint changes at a rate in degrees per hour depending on the outdoor temperature.</p>
408	Max. Cool Recovery Outdoor Temp	Off -20° F to 100°F	70° F	Commercial	No	<p>Off: The cooling system will begin recovery at the time that is scheduled.</p> <p>When a <b>Maximum Recovery Ramp Rate</b> is set, the thermostat will begin recovery early to ensure the temperature is reached at the scheduled time.</p> <p>Set a <b>Maximum Recovery Ramp Rate</b> based on the rate that the cooling system can recover at for a mild day in your region. Default setting is 6° F / hour.</p> <p>Set an <b>Outdoor Temperature</b> that is representative of a mild day in your region to be associated with the <b>Maximum Recovery Ramp Rate</b>.</p> <p>The thermostat will begin recovery at the optimal time based on a calculated ramp rate, allowing the system to recover on time and save energy during changing outdoor conditions.</p> <p>During recovery, the setpoint changes at a rate in degrees per hour depending on the outdoor temperature.</p>

Table 2. Installer Setup (ISU) Table. (Continued)

ISU Number	Installer Setup Name	Settings	Default	Residential, Commercial or Both	Requires EIM	Notes
409	Adaptive Recovery	No Yes	Yes	Residential	No	No: The system will begin heating or cooling recovery at the scheduled time.  Yes: The thermostat will begin heating or cooling recovery early to ensure that the temperature is reached at the scheduled time. The thermostat will adjust the start time of the equipment based on how quickly the scheduled temperature was reached on previous days. See page 71 for more information on Adaptive Intelligent Recovery.
410	Minimum Cool Setpoint	50° F to 99° F	50° F	Both	No	The user cannot set the temperature below this level.
410	Maximum Heat Setpoint	40° F to 90° F	90° F	Both	No	The user cannot set the temperature above this level.
411	Keypad Lockout	Unlocked Partially Locked Fully Locked	Unlocked	Both	No	Unlocked: User has access to all thermostat settings.  Partially Locked: User can modify only temperature settings.  Fully Locked: User cannot modify any settings.
412	<b>Residential:</b> Entry / Exit Remote - Home Cool Setpoint  <b>Commercial:</b> Entry / Exit Remote - Occupied Cool Setpoint	None 50° F to 99° F  Note: setpoint is limited based on setting at ISU 410.	75° F	Both	No	The thermostat maintains this Cool setting when the user presses Home / Occupied at the Entry / Exit Remote. Select <b>None</b> to delete this temperature setting. The thermostat only responds to the Entry / Exit Remote if a temperature is pre-set at this screen. See "Wireless Entry/Exit Remote" beginning on page 110.
412	<b>Residential:</b> Entry / Exit Remote - Home Heat Setpoint  <b>Commercial:</b> Entry / Exit Remote - Occupied Heat Setpoint	None 40° F to 90° F  Note: setpoint is limited based on setting at ISU 410.	70° F	Both	No	The thermostat maintains this Heat setting when the user presses Home / Occupied at the Entry / Exit Remote. Select <b>None</b> to delete this temperature setting. The thermostat only responds to the Entry / Exit Remote if a temperature is pre-set at this screen. See "Wireless Entry/Exit Remote" beginning on page 110.
413	<b>Residential:</b> Entry / Exit Remote - Away Cool Setpoint  <b>Commercial:</b> Entry / Exit Remote - Unoccupied Cool Setpoint	None 50° F to 99° F  Note: setpoint is limited based on setting at ISU 410.	78° F	Both	No	The thermostat maintains this Cool setting when the user presses Away / Unoccupied at the Entry / Exit Remote. Select <b>None</b> to delete this temperature setting. The thermostat only responds to the Entry / Exit Remote if a temperature is pre-set at this screen. See "Wireless Entry/Exit Remote" beginning on page 110.



Table 2. Installer Setup (ISU) Table. (Continued)

ISU Number	Installer Setup Name	Settings	Default	Residential, Commercial or Both	Requires EIM	Notes
413	<b>Residential:</b> Entry / Exit Remote - Away Heat Setpoint  <b>Commercial:</b> Entry / Exit Remote - Unoccupied Heat Setpoint	None 40° F to 90° F  Note: setpoint is limited based on setting at ISU 410.	65° F	Both	No	The thermostat maintains this Heat setting when the user presses Away / Unoccupied at the Entry / Exit Remote. Select <b>None</b> to delete this temperature setting. The thermostat only responds to the Entry / Exit Remote if a temperature is pre-set at this screen. See "Wireless Entry/Exit Remote" beginning on page 110.
414	<b>Residential:</b> Entry / Exit Remote - Vacation Cool Setpoint  <b>Commercial:</b> Entry / Exit Remote - Holiday Cool Setpoint	None 50° F to 99° F  Note: setpoint is limited based on setting at ISU 410.	82° F	Both	No	The thermostat maintains this Cool setting when the user presses Vacation / Holiday at the Entry / Exit Remote. Select <b>None</b> to delete this temperature setting. The thermostat only responds to the Entry / Exit Remote if a temperature is pre-set at this screen. See "Wireless Entry/Exit Remote" beginning on page 110.
414	<b>Residential:</b> Entry / Exit Remote - Vacation Heat Setpoint  <b>Commercial:</b> Entry / Exit Remote - Holiday Heat Setpoint	None 40° F to 90° F  Note: setpoint is limited based on setting at ISU 410.	60° F	Both	No	The thermostat maintains this Heat setting when the user presses Vacation / Holiday at the Entry / Exit Remote. Select <b>None</b> to delete this temperature setting. The thermostat only responds to the Entry / Exit Remote if a temperature is pre-set at this screen. See "Wireless Entry/Exit Remote" beginning on page 110.
500	Wired Sensor on S Terminals	No Yes	No	Both	No	This ISU is only displayed if an S1–S4 terminal is available.
500	Wired Remote Indoor Sensor	No Yes	No	Both	No	The thermostat will not display the <b>Wired Remote Indoor Sensor</b> option if 6 wireless indoor air sensors are already connected to the thermostat. If you have a wired Indoor Air Temperature network (1, 4, 9 etc), the thermostat will allow up to 5 wireless indoor air sensors.
500	Wired Outdoor Sensor	No Yes	No	Both	No	The thermostat will not display the <b>Wired Outdoor Sensor</b> option if a wireless outdoor air sensor is already connected to the thermostat.
500	Wired Return Sensor	No Yes	No	Both	Yes	The thermostat will not display the <b>Wired Return Sensor</b> option if there is no fan in the system.
500	Wired Discharge Sensor	No Yes	No	Both	No	The thermostat will not display the <b>Wired Discharge Sensor</b> option if there is no fan in the system.
501	Indoor Sensor Name	[Select Indoor Sensor Name]	Indoor Sensor	Both	No	Select a name (location) of the Wired Remote Indoor Sensor.
502	Indoor Sensor	None S1 S2 S3 S4	None	Both	No	Select the terminals wired to the Remote Indoor Sensor.  Number of Sensor Inputs: Thermostat = S1 Equipment Interface Module = S1, S2, S3 and S4

Table 2. Installer Setup (ISU) Table. (Continued)

ISU Number	Installer Setup Name	Settings	Default	Residential, Commercial or Both	Requires EIM	Notes
503	Indoor Sensor Type	10K 20K	<b>10K:</b> if ISU 101 Application is Residential  <b>20K:</b> if ISU 101: Application is Commercial	Both	No	Select 10K or 20K based on the sensor installed. Refer to resistance values below:  C7189U1005 = 10K ohm C7772 = 20K ohm TR21 = 20K ohm TR21-A = 10K ohm (IMPORTANT - the TR21-A must be used in combination with a TR21 sensor or another TR21-A sensor for the thermostat to calculate the correct indoor temperature reading).  See "Wiring guide — Wired Indoor Sensors" beginning on page 135 for information on the sensor type you should select based on how the sensors are wired. For example, you would select 20K when you have two TR21-A (10K) sensors wired in series.
504	Use [T-Stat Sensor] for Temp Ctrl Use [Remote Indoor Sensor Name] for Temp Ctrl Use [T-Stat Sensor] in Temp Avg Use [Remote Indoor Sensor Name] in Temp Avg	Use T-Stat Sensor for Temp Ctrl - Yes or No Use [Remote Indoor Sensor Name] for Temp Ctrl - Yes or No Use T-Stat Sensor in Temp Avg - Yes or No Use [Remote Indoor Sensor Name] in Temp Avg - Yes or No (Up to 6 Remote Indoor Sensors)	Sensors are Averaged (T-Stat Sensor and Remote)	Both	No	Select the sensors to be used for temperature control. If you select more than one, the thermostat will average the temperature readings from each sensor.  See "Remote Indoor Sensors" beginning on page 112.
505	Outdoor Sensor	None S1 S2 S3 S4	None	Both	No	Select the terminals wired to the Outdoor Sensor.  Number of Sensor Inputs: Thermostat = S1 Equipment Interface Module = S1, S2, S3 and S4
507	Return Sensor	None S1 S2 S3 S4	None	Both	Yes	Select the terminals wired to the Return Sensor.  Number of Sensor Inputs: Thermostat = S1 Equipment Interface Module = S1, S2, S3 and S4
508	Return Sensor Type	10K 20K	10K	Both	Yes	Select 10K or 20K based on the sensor installed. Refer to resistance values below:  50062329-001 = 10K ohm 32005180-002 = 10K ohm C7735A1000 = 10K ohm C7770A = 20K ohm C7041 = 20K ohm
509	Discharge Sensor	None S1 S2 S3 S4	None	Both	No	Select the terminals wired to the Discharge Sensor.  Number of Sensor Inputs: Thermostat = S1 Equipment Interface Module = S1, S2, S3 and S4

Table 2. Installer Setup (ISU) Table. (Continued)

ISU Number	Installer Setup Name	Settings	Default	Residential, Commercial or Both	Requires EIM	Notes
510	Discharge Sensor Type	10K 20K	10K	Both	No	Select 10K or 20K based on the sensor installed. Refer to resistance values below:  50062329-001 = 10K ohm 32005180-002 = 10K ohm C7735A1000 = 10K ohm C7770A = 20K ohm C7041 = 20K ohm
511	A-Coil Low Temp. Cutoff	Off 35° F to 65° F (in 5° F increments)	Off	Both	No	If an optional Discharge Sensor is used, this feature can help prevent icing on the air conditioning A-Coil.  When temperature reaches the limit you set, compressor(s) will shutoff while the system fan continues to run, until the temperature rises to a safe level.
600	Dry Contact Device on S Terminals	No Yes	No	Both	Yes	Dry Contact Alerts and Remote Setback require an Equipment Interface Module. This ISU is only displayed if an S1-S4 terminal is available.  See "Dry Contact Alerts" beginning on page 74 and "Remote Setback (Commercial Use)" beginning on page 105.
600	Remote Setback Dry Contact	No Yes	No	Commercial	Yes	Remote Setback requires an Equipment Interface Module. This ISU is only displayed if an S1-S4 terminal is available.
600	Full Drain Pan Dry Contact Alert	No Yes	No	Both	Yes	Dry Contact Alerts require an Equipment Interface Module. This ISU is only displayed if an S1-S4 terminal is available.  See "Dry Contact Alerts" beginning on page 74.
600	Dirty Filter Dry Contact Alert	No Yes	No	Both	Yes	Dry Contact Alerts require an Equipment Interface Module. This ISU is only displayed if an S1-S4 terminal is available.  See "Dry Contact Alerts" beginning on page 74.
600	Water Leak Dry Contact Alert	No Yes	No	Both	Yes	Dry Contact Alerts require an Equipment Interface Module. This ISU is only displayed if an S1-S4 terminal is available.  See "Dry Contact Alerts" beginning on page 74.
600	Sys. Shutdown Dry Contact Alert	No Yes	No	Both	Yes	Dry Contact Alerts require an Equipment Interface Module. This ISU is only displayed if an S1-S4 terminal is available.  See "Dry Contact Alerts" beginning on page 74.
600	Service Needed Dry Contact Alert	No Yes	No	Both	Yes	Dry Contact Alerts require an Equipment Interface Module. This ISU is only displayed if an S1-S4 terminal is available.  See "Dry Contact Alerts" beginning on page 74.

Table 2. Installer Setup (ISU) Table. (Continued)

ISU Number	Installer Setup Name	Settings	Default	Residential, Commercial or Both	Requires EIM	Notes
600	Fan Failure Dry Contact Alert	No Yes	No	Both	Yes	Dry Contact Alerts require an Equipment Interface Module. This ISU is only displayed if an S1-S4 terminal is available.  See "Dry Contact Alerts" beginning on page 74.
600	Custom Dry Contact Alert	No Yes	No	Both	Yes	Dry Contact Alerts require an Equipment Interface Module. This ISU is only displayed if an S1-S4 terminal is available.  See "Dry Contact Alerts" beginning on page 74.
601	Remote Setback	None S1 S2 S3 S4	None	Commercial	Yes	Remote Setback requires an Equipment Interface Module.  Select the terminals wired to the Remote Setback Dry Contact Device.
602	Remote Setback is [See Settings]	N.O. when Occupied N.C. when Occupied	N.O. when Occupied	Commercial	Yes	Remote Setback requires an EIM (Equipment Interface Module).  Choose an option appropriate for the type of device installed:  Normally Open when Occupied: The Dry Contact device is open when the room is occupied and will close when the room is unoccupied.  Normally Closed when Occupied: The Dry Contact device is closed when the room is occupied and will open when the room is unoccupied.
603	Remote Setback Time Delay	0 to 30 minutes (in 5 minute increments)	0 minutes	Commercial	Yes	Remote Setback requires an EIM (Equipment Interface Module).  The <b>Remote Setback Time Delay</b> forces the thermostat to wait before it switches from Occupied to the Remote Setback temperature settings.  When set to 0 minutes, the thermostat will switch from Occupied to the Remote Setback temperature settings immediately when the room is unoccupied.
604	Remote Setback Cool Setpoint	72° F to 90° F	85° F	Commercial	Yes	Remote Setback requires an EIM (Equipment Interface Module).  During occupied periods, the occupancy sensor tells the thermostat to go to setback settings when no one is in the room. If someone is in the room, then it follows the settings of the occupied period. The occupancy sensor is ignored during unoccupied periods.  If the thermostat is setup for non-programmable, the occupancy sensor tells the thermostat to go to setback settings when no one is in the room. If someone is in the room, then it follows the settings set by the user.

Table 2. Installer Setup (ISU) Table. (Continued)

ISU Number	Installer Setup Name	Settings	Default	Residential, Commercial or Both	Requires EIM	Notes
604	Remote Setback Heat Setpoint	50° F to 70° F	64° F	Commercial	Yes	<p>Remote Setback requires an EIM (Equipment Interface Module).</p> <p>During occupied periods, the occupancy sensor tells the thermostat to go to setback settings when no one is in the room. If someone is in the room, then it follows the settings of the occupied period. The occupancy sensor is ignored during unoccupied periods.</p> <p>If the thermostat is setup for non-programmable, the occupancy sensor tells the thermostat to go to setback settings when no one is in the room. If someone is in the room, then it follows the settings set by the user.</p>
605	Drain Pan Alert	None S1 S2 S3 S4	None	Both	Yes	<p>Dry Contact Alerts require an Equipment Interface Module.</p> <p>Select the terminals wired to the Full Drain Pan Dry Contact Device.</p>
606	Drain Pan Alert is [See Settings]	Normally Open Normally Closed	Normally Open	Both	Yes	<p>Dry Contact Alerts require an EIM (Equipment Interface Module).</p> <p>Choose an option appropriate for the type of device installed.</p> <p>Normally Open: The Dry Contact device is normally open and will close when the device detects the drain pan is full.</p> <p>Normally Closed: The Dry Contact device is normally closed and will open when the device detects the drain pan is full.</p>
607	Dirty Filter Alert	None S1 S2 S3 S4	None	Both	Yes	<p>Dry Contact Alerts require an Equipment Interface Module.</p> <p>Select the terminals wired to the Dirty Filter Dry Contact Device.</p>
608	Dirty Filtr Alert is [See Settings]	Normally Open Normally Closed	Normally Open	Both	Yes	<p>Dry Contact Alerts require an EIM (Equipment Interface Module).</p> <p>Choose an option appropriate for the type of device installed:</p> <p>Normally Open: The Dry Contact device is normally open and will close when the device detects a dirty filter.</p> <p>Normally Closed: The Dry Contact device is normally closed and will open when the device detects a dirty filter.</p>
609	Water Leak Alert	None S1 S2 S3 S4	None	Both	Yes	<p>Dry Contact Alerts require an Equipment Interface Module.</p> <p>Select the terminals wired to the Water Leak Dry Contact Device (wet switch).</p>

**Table 2. Installer Setup (ISU) Table. (Continued)**

ISU Number	Installer Setup Name	Settings	Default	Residential, Commercial or Both	Requires EIM	Notes
610	Water Leak Alert is [See Settings]	Normally Open Normally Closed	Normally Open	Both	Yes	Dry Contact Alerts require an EIM (Equipment Interface Module).  Choose an option appropriate for the type of device installed:  Normally Open: The Dry Contact device is normally open and will close when the device detects water.  Normally Closed: The Dry Contact device is normally closed and will open when the device detects water.
611	Shutdown Alert	None S1 S2 S3 S4	None	Both	Yes	Dry Contact Alerts require an Equipment Interface Module.  Select the terminals wired to the System Shutdown Dry Contact Device.
612	Shutdown Alert is [See Settings]	Normally Open Normally Closed	Normally Open	Both	Yes	Dry Contact Alerts require an EIM (Equipment Interface Module).  Choose an option appropriate for the type of device installed:  Normally Open: The Dry Contact device is normally open and will close when the device detects a problem.  Normally Closed: The Dry Contact device is normally closed and will open when the device detects a problem.
613	Service Alert	None S1 S2 S3 S4	None	Both	Yes	Dry Contact Alerts require an Equipment Interface Module.  Select the terminals wired to the Service Needed Dry Contact Device.
614	Service Alert is [See Settings]	Normally Open Normally Closed	Normally Open	Both	Yes	Dry Contact Alerts require an EIM (Equipment Interface Module).  Choose an option appropriate for the type of device installed:  Normally Open: The Dry Contact device is normally open and will close when the device detects a problem.  Normally Closed: The Dry Contact device is normally closed and will open when the device detects a problem.
615	Fan Failure Alert	None S1 S2 S3 S4	None	Both	Yes	Dry Contact Alerts require an Equipment Interface Module.  Select the terminals wired to the Fan Failure Dry Contact Device.

Table 2. Installer Setup (ISU) Table. (Continued)

ISU Number	Installer Setup Name	Settings	Default	Residential, Commercial or Both	Requires EIM	Notes
616	Fan Failure Alert is [See Settings]	N.O. when Fan Runs N.C. when Fan Runs	N.C. when Fan Runs	Both	Yes	Dry Contact Alerts require an EIM (Equipment Interface Module).  Choose an option appropriate for the type of device installed:  Normally Open when Fan is Running: The Dry Contact device is open when the fan is running and will close when the fan is not running.  Normally Closed when Fan is Running: The Dry Contact device is closed when the fan is running and will open when the fan is not running.
617	Custom Alert	None S1 S2 S3 S4	None	Both	Yes	Dry Contact Alerts require an Equipment Interface Module.  Select the terminals wired to the Custom Dry Contact Device.
618	Custom Alert is [See Settings]	Normally Open Normally Closed	Normally Open	Both	Yes	Dry Contact Alerts require an EIM (Equipment Interface Module).  Choose an option appropriate for the type of device installed:  Normally Open: The Dry Contact device is normally open and will close when the device detects a problem.  Normally Closed: The Dry Contact device is normally closed and will open when the device detects a problem.
619	Custom Alert Name	View/Edit Custom Alert	View/Edit Custom Alert	Both	Yes	Dry Contact Alerts require an EIM (Equipment Interface Module).  Enter a name for the custom alert dry contact. The thermostat displays this name including a brief message (entered on the next screen - ISU 620) when a dry contact device detects a problem.
620	Cust Alert Message	View/Edit Custom Alert	View/Edit Custom Alert	Both	Yes	Dry Contact Alerts require an EIM (Equipment Interface Module).  Enter a message for the custom alert dry contact. The thermostat displays this message when a dry contact device detects a problem.
700	Filter Type	None Elec. Air Cleaner Media	Media	Both	No	
702	Number of Air Filters	1 to 2	1	Both	No	

Table 2. Installer Setup (ISU) Table. (Continued)

ISU Number	Installer Setup Name	Settings	Default	Residential, Commercial or Both	Requires EIM	Notes
711	Air Filter 1 Reminder  Note: "1" is not displayed if there is only 1 filter.	Off  Run Time: 10, 20, 30, 45, 60, 90, 120, 150 days  Calendar: 30, 45, 60, 75 days 3, 4, 5, 6, 9, 12, 15 months	Off	Both	No	
711	Air Filter 2 Reminder	Off  Run Time: 10, 20, 30, 45, 60, 90, 120, 150 days  Calendar: 30, 45, 60, 75 days 3, 4, 5, 6, 9, 12, 15 months	Off	Both	No	
712	EAC Cell Reminder	Off  Calendar Months: 6, 7, 8, 9, 10, 11, 12 months	Off	Both	No	Electronic Air Cleaner Cell Cleaning Reminder
712	EAC Pre-Filter Reminder	Off  Calendar Months: 3, 4, 5, 6 months	Off	Both	No	Electronic Air Cleaner Pre-Filter Cleaning Reminder
712	EAC Post Filter Reminder	Off  Calendar Months: 6, 7, 8, 9, 10, 11, 12 months	Off	Both	No	Electronic Air Cleaner Post-Filter Replacement Reminder
800	Humidifier Type	None Steam Bypass / Fan Pwr	None	Both	No	
801	Sensor for Hum	T-Stat Sensor Remote Indoor Sensor Name Remote Indoor Sensor Name Remote Indoor Sensor Name Remote Indoor Sensor Name Remote Indoor Sensor Name Remote Indoor Sensor Name  (Up to 6 Remote Indoor Sensors)	T-Stat Sensor	Both	No	Select a sensor to control humidification (thermostat or an optional remote sensor). If multiple sensors are installed, you can use a different sensor for dehumidification control. See "Humidification control" beginning on page 112.  Note: Humidity sensing cannot be averaged.
803	Humidifier Wiring	None U1 U2 U3	Thermostat defaults to the next unused universal terminal (U1, U2, U3).	Both	No	<b>Number of Universal Outputs:</b> TH8321 Thermostat: U1 terminals Equipment Interface Module (EIM): U1, U2 and U3 terminals  U1, U2, U3 are dry contacts that require power. See "Wiring IAQ Equipment or a Heat/Cool Stage to the Universal Terminals" beginning on page 129.



Table 2. Installer Setup (ISU) Table. (Continued)

ISU Number	Installer Setup Name	Settings	Default	Residential, Commercial or Both	Requires EIM	Notes
805	Window Protection	Off On	Off	Both	No	Requires an optional outdoor sensor.  Off: The thermostat controls the humidity level to the user's desired humidity setting. Frost or condensation may appear on windows.  On: The thermostat prevents frost or condensation on windows by not allowing the humidifier to run above a certain level. To prevent frost or condensation, the thermostat may turn off the humidifier before the humidity setting is reached. See "Window Protection" beginning on page 80.
806	User Humidifier in Heat Mode Use Humidifier in Cool Mode Use Humidifier in Off Mode	User Humidifier in Heat Mode - No or Yes Use Humidifier in Cool Mode - No or Yes Use Humidifier in Off Mode - No or Yes	User Humidifier in Heat Mode - Yes  Default varies based on heating/cooling equipment selected	Both	No	Heat: Includes Heat, Emergency Heat and Auto. If the system is in Auto mode, the thermostat will allow humidification if the last call was for heat.  Cool: Includes Cool and Auto. If the system is in Auto mode, the thermostat will allow humidification if the last call was for cool. A discharge air temperature sensor is required to humidify in the Cool mode.  Off: The thermostat will allow humidification when the system setting is Off.  See "Set up Humidification" beginning on page 80.
807	Humidifier Control	Hum when Heat is On Hum when Fan is On Tstat Controls Fan Hum Controls Fan	Defaults to <b>Hum when Heat is On</b> when ISU 800 Humidifier Type is Bypass or Fan Pwrd  Defaults to <b>Tstat Controls Fan</b> when ISU 800 Humidifier Type is Steam	Both	No	<b>Hum when Heat is On:</b> The thermostat turns on the humidifier only if the heat is currently running and humidification is needed.  <b>Hum when Fan is On:</b> The thermostat turns on the humidifier only if the fan is currently running and humidification is needed.  <b>Tstat Controls Fan:</b> The thermostat turns on the humidifier and the fan when humidification is needed.  <b>Hum Controls Fan:</b> The thermostat turns on the humidifier when humidification is needed and the humidifier controls the fan.
808	Run Humidifier when Cool is On	Yes No	Yes	Both	No	Yes: Humidifier can run when the cooling system is on. No: Humidifier can NOT run when the cooling system is on.
810	Hum Tank / Filter Reminder	Off 60 Run Time Days 90 Run Time Days 6 Calendar Months 12 Calendar Months	Off	Both	No	This ISU is only displayed if ISU 800 Humidifier Type is Steam.  Run Time Days are not shown if ISU 800 Humidifier Type is set to None.
810	Humidifier Pad Reminder	Off 60 Run Time Days 90 Run Time Days 6 Calendar Months 12 Calendar Months	Off	Both	No	This ISU is only displayed if ISU 800 Humidifier Type is Bypass or Fan Pwrd.  Run Time Days are not shown if ISU 800 Humidifier Type is set to None.

**Table 2. Installer Setup (ISU) Table. (Continued)**

ISU Number	Installer Setup Name	Settings	Default	Residential, Commercial or Both	Requires EIM	Notes
900	Dehumidification Equipment	<b>Residential:</b> None A/C with Low Fan A/C with High Fan Dehumidifier <b>Commercial:</b> None A/C with Low Fan A/C with High Fan Hot Gas Bypass Dehumidifier	None	Both	No	See “Dehumidification - Residential” beginning on page 83 or “Dehumidification - Commercial” beginning on page 87.
901	Sensor for Dehum	Change to: T-Stat Sensor Remote Indoor Sensor Name Remote Indoor Sensor Name Remote Indoor Sensor Name Remote Indoor Sensor Name Remote Indoor Sensor Name Remote Indoor Sensor Name (Up to 6 Remote Indoor Sensors)	T-Stat Sensor	Both	No	Select a sensor to control dehumidification (thermostat or an optional remote sensor). If multiple sensors are installed, you can use a different sensor for humidification control. See “Dehumidification control” beginning on page 112.  Note: Humidity sensing cannot be averaged.
902	Humidity Sensor on Home Screen	Hum Dehum	Hum	Both	No	This ISU is only displayed when separate humidity sensors are used to control humidification and dehumidification. Only one of the sensors can be displayed on the home screen. Select either the Humidification Sensor or the Dehumidification Sensor.
904	Dehum Wiring	None U1 U2 U3	Thermostat defaults to the next unused universal terminal (U1, U2, U3).	Both	No	<b>Number of Universal Outputs:</b> TH8321 Thermostat: U1 terminals Equipment Interface Module (EIM): U1, U2 and U3 terminals  U1, U2, U3 are dry contacts that require power. See “Wiring IAQ Equipment or a Heat/Cool Stage to the Universal Terminals” beginning on page 129.
905	Dehum Terminal - U1 Dehum Terminal - U2 Dehum Terminal - U3  Note: The U terminal shown on the screen depends on the terminal you selected at ISU 904 (Dehum Wiring).	Normally Closed Normally Open	Defaults to <b>Normally Closed</b> when ISU 900 Dehum Equipment is A/C with Low Fan  Defaults to <b>Normally Open</b> when ISU 900 Dehum Equipment is Hot Gas Bypass	Both	No	Choose an option appropriate for the type of equipment installed.  Normally Open: U1, U2 or U3 will normally be open and will close when the thermostat calls for dehumidification.  Normally Closed: U1, U2 or U3 will normally be closed and will open when the thermostat calls for dehumidification.  <b>Number of Universal Outputs:</b> TH8321 Thermostat: U1 terminals Equipment Interface Module (EIM): U1, U2 and U3 terminals

Table 2. Installer Setup (ISU) Table. (Continued)

ISU Number	Installer Setup Name	Settings	Default	Residential, Commercial or Both	Requires EIM	Notes
907	Dehum Over Cooling Limit	0°, 1°, 2°, 3° F	3° F	Residential	No	<p>This ISU is only displayed when ISU 900 Dehum Equipment is set to <b>A/C with Low Fan</b> or <b>A/C with High Fan</b>.</p> <p>The thermostat uses the cooling system to reduce humidity by lowering the temperature up to 3° F below the current cool setpoint until the desired humidity level is reached.</p> <p>The thermostat keeps the temperature below the cooling setpoint until the desired humidity level is reached.</p> <p>0° F is only an option when ISU 900 Dehum Equipment is set to <b>A/C with Low Fan</b>.</p>
908	DehumControl	Basic Minimum On Time Cooling Droop Reheat	Basic	Commercial	No	See "Dehumidification - Commercial" beginning on page 87.
909	Dehum Minimum On Time	5 to 15 minutes	10 minutes	Commercial	No	This ISU is only displayed if ISU 908 Dehum Control is set to <b>Minimum On Time</b> . This option ensures that the compressor runs long enough to effectively reduce humidity when the cooling equipment is cycled on. The compressor will run for the "minimum on time" you set until the desired humidity level is reached.
910	Dehum Over Cooling Limit	1° F to 5° F	2° F	Commercial	No	<p>This ISU is only displayed if ISU 908 Dehum Control is set to <b>Cooling Droop</b>. The thermostat uses the cooling system to reduce humidity by lowering the temperature up to 5° F below the current cool setpoint until the desired humidity level is reached.</p> <p>The thermostat keeps the temperature below the cooling setpoint until the desired humidity level is reached.</p>
912	User Dehumidifier in Heat Mode Use Dehumidifier in Cool Mode Use Dehumidifier in Off Mode	User Dehumidifier in Heat Mode - No or Yes Use Dehumidifier in Cool Mode - No or Yes Use Dehumidifier in Off Mode - No or Yes	Use Dehumidifier in Cool Mode - Yes  Default varies based on heating/cooling equipment selected	Both	No	<p>This ISU is only displayed when ISU 900 Dehum Equipment is set to <b>Dehumidifier</b>.</p> <p>Heat: Includes Heat, Emergency Heat and Auto. If the system is in Auto mode, the thermostat will allow dehumidification if the last call was for heat.</p> <p>Cool: Includes Cool and Auto. If the system is in Auto mode, the thermostat will allow dehumidification if the last call was for cool.</p> <p>Off: The thermostat will allow dehumidification when the system setting is Off.</p> <p>See "Dehumidification - Residential" beginning on page 83 or "Dehumidification - Commercial" beginning on page 87.</p>

Table 2. Installer Setup (ISU) Table. (Continued)

ISU Number	Installer Setup Name	Settings	Default	Residential, Commercial or Both	Requires EIM	Notes
913	Dehum Fan Control	Tstat Controls Fan Equip Controls Fan	Tstat Controls Fan	Both	No	This ISU is only displayed when ISU 900 Dehum Equipment is set to <b>Dehumidifier</b> .  Tstat Controls Fan: The thermostat turns on the dehumidifier and the fan when dehumidification is needed.  Equip Controls Fan: The thermostat turns on the dehumidifier when dehumidification is needed. The fan is controlled by the equipment.
914	Run Dehumidifier when Cool is On	Yes No	Yes	Both	No	This ISU is only displayed when ISU 900 Dehum Equipment is set to <b>Dehumidifier</b> .  Yes: Dehumidifier can run when the cooling system is on.  No: Dehumidifier can NOT run when the cooling system is on.
918	Dehum Away Mode	Not Allowed Allowed	Not Allowed	Both	No	This ISU is NOT displayed when ISU 900 Dehum Equipment is <b>None</b> .  ISU 919 to 920 are only displayed when ISU 918 Dehum Away Mode is <b>Allowed</b> .  See "Dehumidification Away Mode" beginning on page 85.
919	Dehum Away Mode Fan Setting	Automatic On Circulate	Automatic	Both	No	The <b>On</b> and <b>Circulate</b> settings may re-introduce humidity into the living space.
920	Dehum Away Mode Low Limit Temp	70° F to 80° F	76° F	Both	No	If the cooling system is used to control humidity while Dehumidification Away Mode is active, the thermostat allows the cooling system to lower the indoor air to the Low Limit Temperature Setting to reach the dehumidification setting at ISU 920.
920	Dehum Away mode Temp Setting	70° F to 99° F	85° F	Both	No	The temperature maintained while Dehumidification Away Mode is active and the desired humidity level is satisfied.
920	Dehum Away mode Dehum Setting	40% to 70% (in 5% increments)	65%	Both	No	The desired humidity level while Dehumidification Away Mode is active.
921	Dehumidifier Filter Reminder	Off 30, 60, Calendar Days 3 to 12 Calendar Months (in 1 month increments)	Off	Both	No	
1000	Ventilation Type	None ERV / HRV Passive (Fan Only) Fresh Air Damper	None	Both	No	None: The thermostat does not control ventilation.  ERV/HRV: The thermostat controls an Energy Recovery Ventilator or Heat Recovery Ventilator for ventilation.  Passive (Fan Only): The thermostat turns on the fan for ventilation.  Fresh Air Damper: The thermostat turns on the fan and opens a fresh air damper for ventilation.

Table 2. Installer Setup (ISU) Table. (Continued)

ISU Number	Installer Setup Name	Settings	Default	Residential, Commercial or Both	Requires EIM	Notes
1002	Ventilation Wiring	None U1 U2 U3	Thermostat defaults to the next unused universal terminal (U1, U2, U3).	Both	No	<b>Number of Universal Outputs:</b> TH8321 Thermostat: U1 terminals Equipment Interface Module (EIM): U1, U2 and U3 terminals  U1, U2, U3 are dry contacts that require power. See “Wiring IAQ Equipment or a Heat/Cool Stage to the Universal Terminals” beginning on page 129.
1005	Ventilation Method	ASHRAE Percent On Time	Defaults to <b>ASHRAE</b> when ISU 101 Application is set to Residential.  <b>Percent on Time</b> is the only choice when ISU 101 Application is set to Commercial.	Both	No	See “Ventilation Control Methods (ISU 1005)” beginning on page 91.
1006	Vent Fan Control	Tstat Controls Fan Equip Controls Fan	Tstat Controls Fan	Both	No	Tstat Controls Fan: The thermostat turns on the ventilation equipment and the fan when ventilation is needed.  Equip Controls Fan: The thermostat turns on the ventilation equipment when ventilation is needed. The fan is controlled by the equipment.
1009	Number of Bedrooms	1 to 6	2 bedrooms	Residential	No	This ISU is only displayed when ISU 1005 Ventilation Method is set to <b>ASHRAE</b> (Residential only).
1009	Size of House	1000 to 5000 sq. ft. (in 100 sq. ft. increments)  (90 to 460 sq. m.)	1000 sq. feet	Residential	No	This ISU is only displayed when ISU 1005 Ventilation Method is set to <b>ASHRAE</b> (Residential only).
1010	Ventilation Rate	30 to 350 CFM (in 5 CFM increments)  (850 - 9900 LPM)	150	Residential	No	This ISU is only displayed when ISU 1005 Ventilation Method is set to <b>ASHRAE</b> (Residential only).
1012	Vent Percent On Time	10% to 100% (in 10% increments)	30%	Both	No	The thermostat operates ventilation equipment based on a percentage entered in the installer setup (ISU 1012). For example, if Percent on Time is set to 50%, the ventilation equipment will run at random times during a 1 hour period until it reaches a 50% run time (approximately 30 minutes).

Table 2. Installer Setup (ISU) Table. (Continued)

ISU Number	Installer Setup Name	Settings	Default	Residential, Commercial or Both	Requires EIM	Notes
1012	Vent Priority	Lockouts ASHRAE	Lockouts	Residential	No	<p><b>Lockouts are Priority:</b> The thermostat places a priority on lockouts versus the ASHRAE 62.2 ventilation standard. The thermostat will not run ventilation during the following lockout conditions (if configured) unless you manually call for ventilation:</p> <ul style="list-style-type: none"> <li>• Lockout Ventilation during Outdoor Conditions (ISU 1013)</li> <li>• Lockout Ventilation on Humidification or Dehumidification Calls (ISU 1014)</li> <li>• Lockout Ventilation during “Sleep” (Residential) or “Unoccupied” (Commercial) program periods. Note: This option is set by the user on the Ventilation screen in the Menu.</li> </ul> <p><b>ASHRAE is Priority:</b> ASHRAE requires additional ventilation following a long off cycle. The thermostat meets the ASHRAE 62.2 ventilation standard by running additional ventilation when outdoor conditions are favorable. If ASHRAE cannot be met when outdoor conditions are favorable, the thermostat will override the outdoor lockouts and run ventilation. When using this option, it is recommended to increase the rate (CFM) of the ventilation equipment to meet the ASHRAE 62.2 ventilation standard in a shorter run time.</p> <p>Notes:</p> <ul style="list-style-type: none"> <li>• ISU 1014 Lockout Ventilation on Humidification or Dehumidification calls is not an option when you select ASHRAE is Priority.</li> <li>• The ability to lockout ventilation during the “Sleep” or Unoccupied program periods is not an option when you select ASHRAE is Priority.</li> </ul>
1013	Low Outdoor Temp Vent Lockout	Off -20° F to 40° F (in 5° F increments)	Off	Both	No	<p>Requires an outdoor sensor.</p> <p>This ISU is only displayed when ISU 1000 Ventilation Type is set to <b>ERV / HRV</b> or <b>Fresh Air Damper</b>.</p> <p>See “Ventilation — Outdoor Condition Lockouts (ISU 1013)” beginning on page 91.</p>
1013	High Outdoor Temp Vent Lockout	Off 80° F to 110° F (in 5° F increments)	Off	Both	No	<p>Requires an outdoor sensor.</p> <p>This ISU is only displayed when ISU 1000 Ventilation Type is set to <b>ERV / HRV</b> or <b>Fresh Air Damper</b>.</p> <p>See “Ventilation — Outdoor Condition Lockouts (ISU 1013)” beginning on page 91.</p>
1013	High Out. Dew Point Vent Lockout	Off 65° F to 85° F (in 5° F increments)	Off	Both	No	<p>Requires a Wireless Outdoor Sensor (sense outdoor humidity).</p> <p>This ISU is only displayed when ISU 1000 Ventilation Type is set to <b>ERV / HRV</b> or <b>Fresh Air Damper</b>.</p> <p>See “Ventilation — Outdoor Condition Lockouts (ISU 1013)” beginning on page 91.</p>

Table 2. Installer Setup (ISU) Table. (Continued)

ISU Number	Installer Setup Name	Settings	Default	Residential, Commercial or Both	Requires EIM	Notes
1014	Vent During Hum or Dehum Calls	Yes No	Yes	Both	No	This feature is used to help reach the user's desired humidity level by not allowing the ventilation equipment to run during a call for humidification or dehumidification.  Yes: Ventilation is allowed to run during a call for humidification or dehumidification.  No: Ventilation is NOT allowed to run during a call for humidification or dehumidification.
1016	Vent On High Indoor Humidity	Off On	On	Both	No	This ISU is only displayed when ISU 1000 Ventilation Type is set to <b>ERV / HRV</b> .  Off: The humidity level has no effect on ventilation.  On: The thermostat removes excess humidity by turning on the ventilator when the indoor humidity rises 10% above the user's humidification setting. The thermostat must be in the heat mode to ventilate on high humidity.
1017	Ventilator Core Reminder	Off 3, 6, 9, 12 Calendar Months	Off	Both	No	Ventilator Core Cleaning Reminder
1017	Ventilator Filter Reminder	Off 3, 6, 9, 12 Calendar Months	Off	Both	No	Ventilator Filter Cleaning Reminder
1100	Number of UV Devices	0, 1, 2	0	Both	No	Press the up/down arrows to select the number of UV devices installed in the system. Some systems may have two UV devices, one for the A-Coil and another for Air Treatment. A replacement reminder can be setup for each one. Select 0 if no UV devices are installed.
1105	UV Bulb 1 Reminder  <i>Note: "1" is not displayed if there is only 1 UV Bulb</i>	Off, 6, 12, 24 Calendar Months	Off	Both	No	UV Bulb 1 Replacement Reminder
1105	UV Bulb 2 Reminder	Off, 6, 12, 24 Calendar Months	Off	Both	No	UV Bulb 2 Replacement Reminder
1200	Custom Reminders	View / Edit Custom Reminders Add Custom Reminders	None	Both	No	See "Customizable Reminders" beginning on page 96.
28	Backlighting	On Demand Continuous	On Demand	Both	No	Select Continuous or On Demand backlighting if you would like the backlight to be on all the time (C wire is required for Continuous backlighting).  Select On Demand backlighting if you would like the backlight to only turn on after a key press. After you complete your changes, the screen stays lit for 16 seconds if the thermostat is battery powered only or it stays lit for 45 seconds if the thermostat is system powered (C wire).
1400	Clock Format	12 hour 24 hour	12	Both	No	
1401	Daylight Saving Time	Off On	On	Both	No	Set to Off in areas that do not follow Daylight Saving Time.

Table 2. Installer Setup (ISU) Table. (Continued)

ISU Number	Installer Setup Name	Settings	Default	Residential, Commercial or Both	Requires EIM	Notes
1402	Indoor Temperature Offset	-3° F to 3° F (in 1° F increments)	0° F	Both	No	0° F - No difference in displayed temperature and the actual room temperature.  The thermostat displays up to 3°F (1.5°C) lower or higher than the actual measured temperature.
1402	Indoor Humidity Offset	-12% to 12% (in 1% increments)	0%	Both	No	0% - No difference in displayed humidity and the actual room humidity.  The thermostat displays up to 12% lower or higher than the actual measured humidity.
1404	Alert Light Indicator	On Off	On	Both	No	The thermostat has a built in light indicator. When an alert is active, the light will be on continuous if the thermostat is powered with 24 VAC (C wire) or it will flash if the thermostat is powered with batteries only. The light also turns on when the system setting is set to Em Heat.  Select On to use the light indicator or select Off to turn off the light.
1500	Dealer Name	[Dealer Name]	None	Both	No	Dealer information is displayed to the user when an alert is active and the user can access this information by selecting "Dealer Information" in the Menu.
1500	Dealer Phone	[Dealer Phone]	None	Both	No	
1501	Dealer Email Address	[Dealer Email Address]	None	Both	No	
1501	Dealer Website	[Dealer Website]	None	Both	No	
1502	Dealer Message	[Dealer Message]	None	Both	No	



## INSTALLER TESTS

Use the installer tests to check out the system:

- **Equipment Test:** Tests the heating, cooling, fan, and IAQ equipment. The test allows you to manually call for each system to ensure the equipment and thermostat operate properly. Any minimum off timers are ignored during the system test. You can test the following equipment:
  - Heat
  - Em Heat
  - Cool
  - Fan
  - Humidification
  - Dehumidification
  - Ventilation
  - Economizer
  - Time of Day
- **Wireless Test:** Run this test to verify that the thermostat can communicate properly in the installed location. The test measures the signal strength between the
  - Thermostat and the Equipment Interface Module (in non-zoned applications)
  - Thermostat and the TrueZONE Wireless Adapter (in zoned applications)

### Accessing Installer Tests

1. Press MENU on the home screen, then scroll down to Installer Options and press SELECT.
2. Enter the password (date code) when prompted. See “Finding Your Password (Date Code) to Access Installer Options” beginning on page 19 for more information.
3. Scroll down to Installer Test and press SELECT.



Fig. 64.

4. Select Equipment Test or Wireless Test.



Fig. 65.



### CAUTION

**Equipment Damage Hazard.**  
 Minimum compressor off time is bypassed during the Equipment Test  
 Avoid cycling compressor quickly.

## Using the Equipment Test

1. Select the equipment you want to test and press the arrow buttons to turn the equipment on/off. Press Back to test the remaining equipment.

**NOTE:** The time out for the Equipment Test mode is 30 minutes (if there is no keypress for 30 minutes, the thermostat will automatically exit the Equipment Test).



Fig. 66.



Fig. 67.

2. Run Time, Discharge, Return and Delta T data are displayed for heating and cooling tests (requires Discharge and Return Air Sensors). See Fig. 68. The Discharge, Return and Delta T are updated every 30 seconds during the test. The Run Time counter starts over when the next stage is turned on.

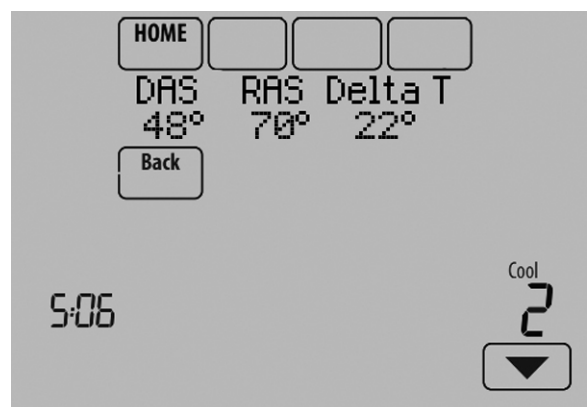


Fig. 68.

## Using the Wireless Signal Strength Test

1. Select Installer Test (see Fig. 64), then select **Wireless Test**.



Fig. 69.

2. Press **Next** to measure the signal strength. After a brief pause, the thermostat will display test results.
3. A number from 5-10 means communication is good.



Fig. 70.

4. If the screen displays "No Signal," move the thermostat to a different location and test again.

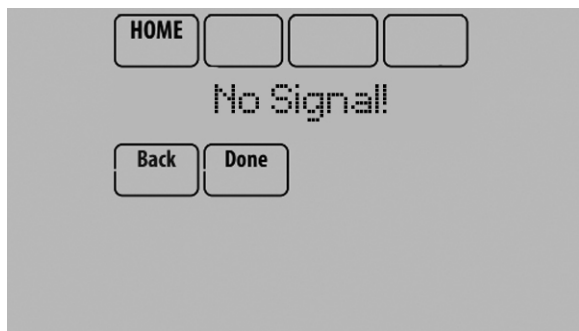


Fig. 71.

## Mounting Optional Accessories

### Outdoor Sensor

Mount the sensor where:

- it cannot be tampered with.
- there is good air circulation.
- it can measure true outdoor ambient temperature and humidity.
- wire distance between C7089U1006 and thermostat/EIM is less than 200 feet (wired sensor only).

Do *not* mount the sensor:

- in direct sunlight.
- where hot or cold air blows on the sensor. Discharge line from an outdoor compressor unit, vent or fan causes inaccurate temperature readings.
- where snow, ice or debris can cover it.

### MOUNTING C7089R1013 WIRELESS OUTDOOR SENSOR

Use the following steps to mount the sensor (see Fig. 72):

1. Mount the sensor on a vertical exterior wall, at least 6 inches below any overhang. Choose a location protected from direct sunlight.
2. Place sensor securely in bracket, facing away from wall.

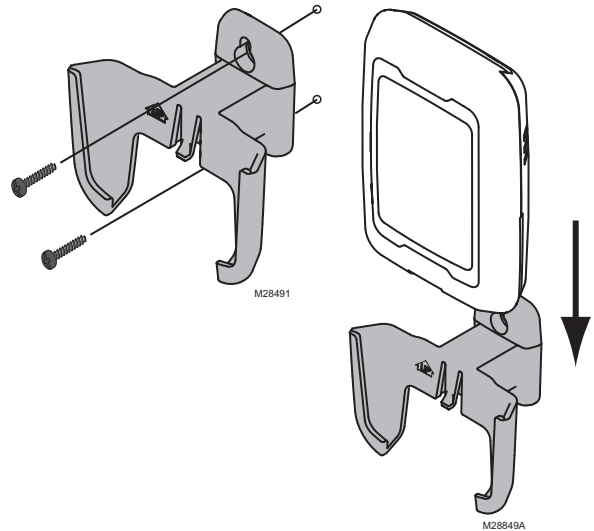


Fig. 72. Mounting Outdoor Sensor.

### MOUNTING C7089U1006 WIRED OUTDOOR TEMPERATURE SENSOR

Use the following steps to mount the sensor:

1. Remove the sensor from the mounting clip.
2. Mark the area on the location selected for mounting the sensor mounting clip.
3. Mount the clip.
4. See "Wiring C7089U1006 Outdoor Sensor" on page 134.

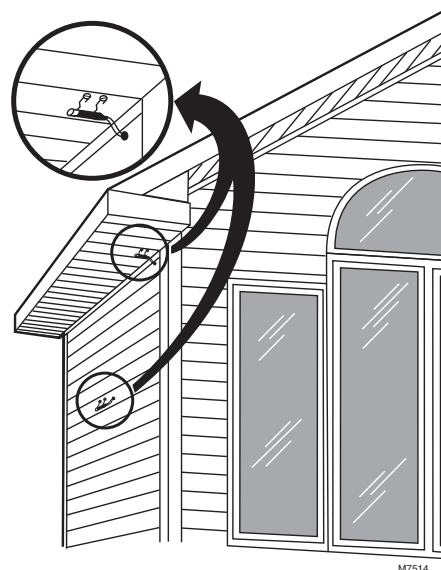


Fig. 73. Typical locations for C7089U1006 Outdoor Sensor.

## C7189R1004 Wireless Indoor Sensor

Use the following steps to mount the sensor (see Fig. 74):

1. Remove the wallplate and mount it 4 to 6 feet above the floor on an interior wall. Drill 3/16-inch holes for drywall, 7/32-inch for plaster.
2. Attach sensor securely to wallplate as shown.

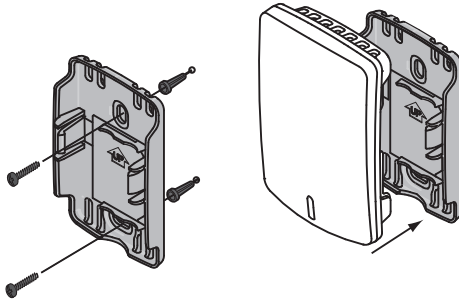


Fig. 74. Mounting Indoor Sensor.

## C7189U1005 Wired Indoor Sensor

Use the following steps to mount the sensor:

1. Remove the cover from the remote sensor (see Fig. 75).

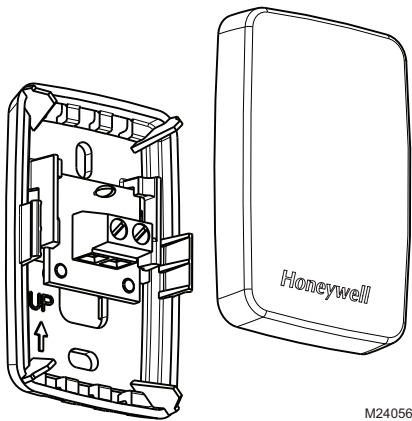


Fig. 75. Remove the cover.

2. Pull wires through wire hole.
3. Position wallplate on wall, level and mark screw hole positions with pencil.

4. Drill holes at marked positions, then tap in supplied wall anchors.
5. Place wallplate over anchors, insert and tighten mounting screws (see Fig. 76).

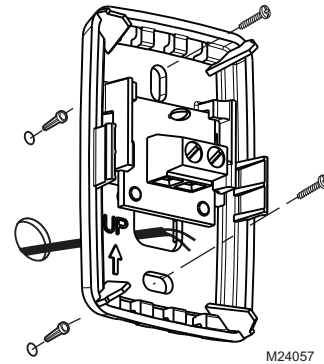


Fig. 76. Mount wallplate to wall.

6. Replace the cover on the remote sensor.

## Entry/Exit Remote or Vent Boost Remote

Mounting the remote is optional.

1. Remove the front cover from the remote.
2. Use provided screws and wall anchors to fasten the remote to the wall. Drill 3/16-inch holes for drywall, 7/32-inch for plaster.

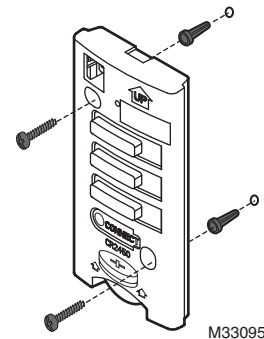


Fig. 77. Mounting Entry/Exit Remote or Vent Boost Remote.

3. Replace the cover on the remote.

## OPERATION

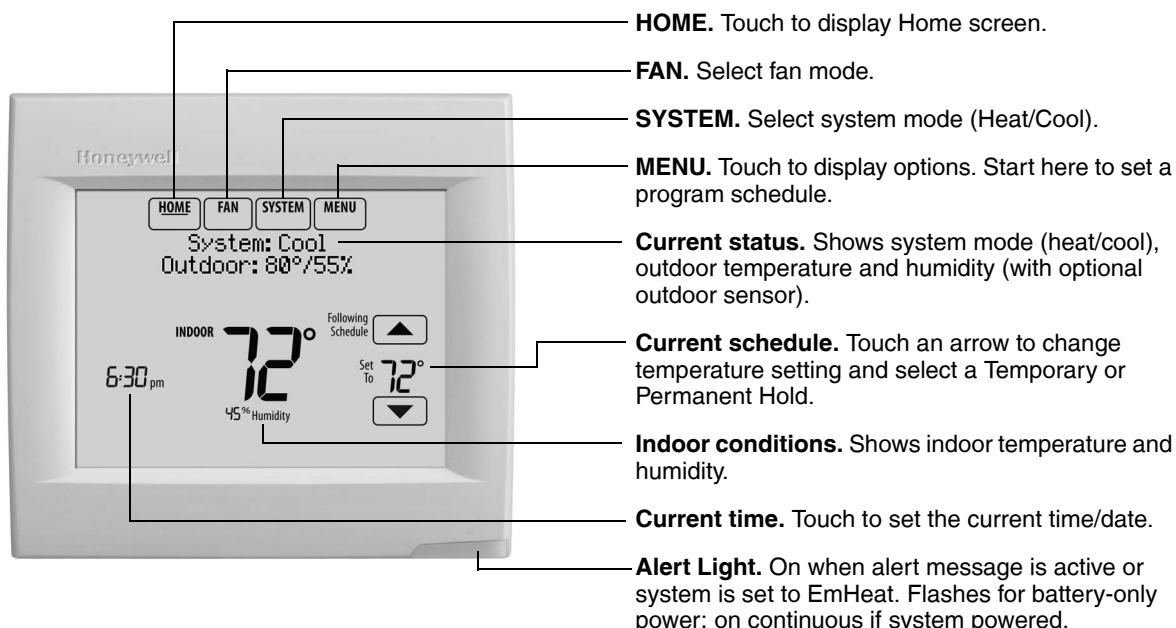


Fig. 78. Quick reference to residential display.

**NOTE:** The screen lights when you press any button. After you complete your changes, the screen stays lit for 16 seconds if the thermostat is battery powered only or it stays lit for 45 seconds if the thermostat is system powered (C wire). Depending on how your thermostat was installed, the screen light may always be on.

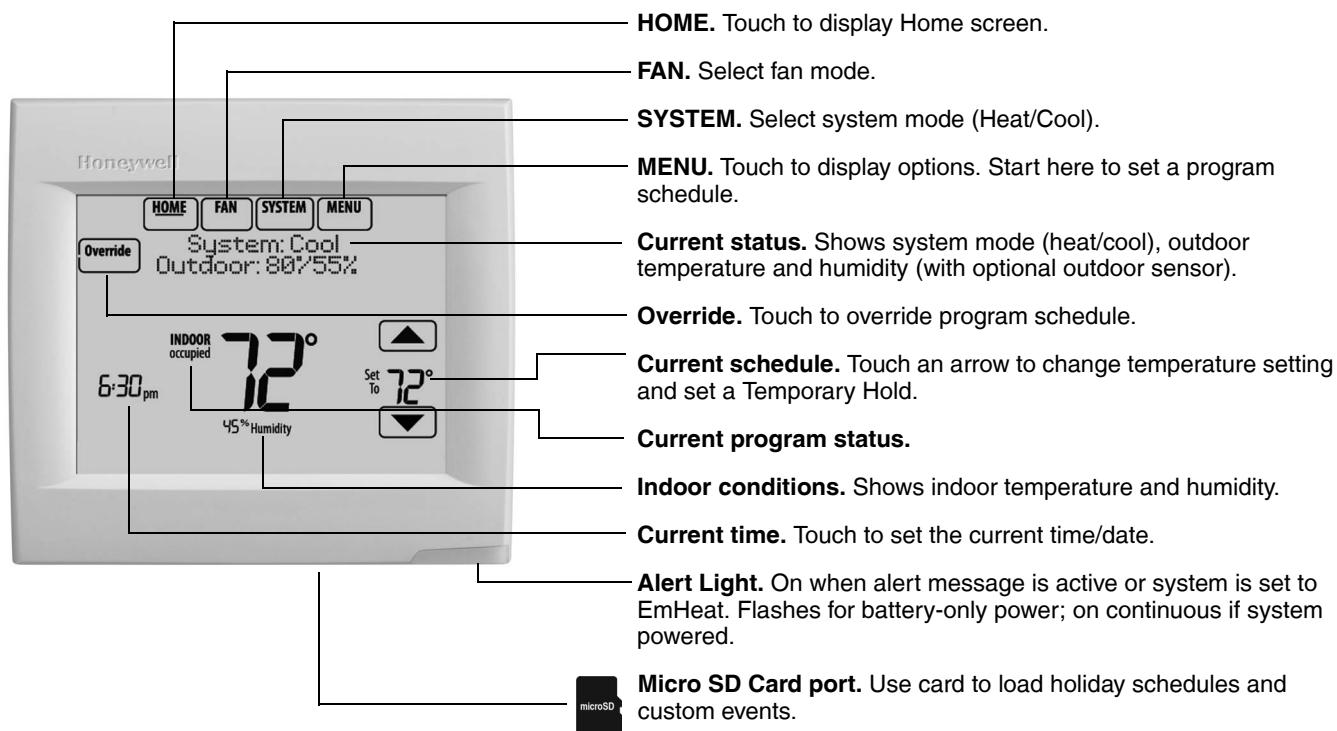


Fig. 79. Quick reference to commercial display.

**NOTE:** The screen lights when you press any button. After you complete your changes, the screen stays lit for 16 seconds if the thermostat is battery powered only or it stays lit for 45 seconds if the thermostat is system powered (C wire). Depending on how your thermostat was installed, the screen light may always be on.

## Setting the Time/Date

1. Touch the current time. The screen displays Select Option.

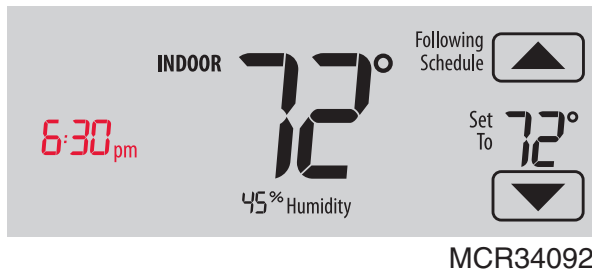


Fig. 80.

2. Touch Time or Date, then touch Select.

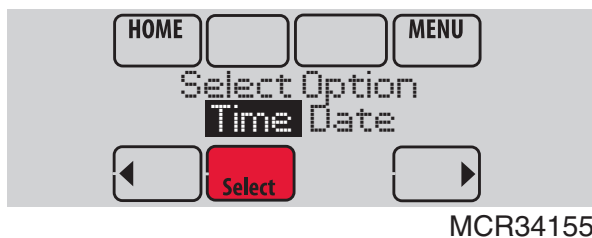


Fig. 81.

3. Touch ▲ or ▼ until the proper time/date is displayed.
4. Touch Done to save or Cancel to ignore changes.

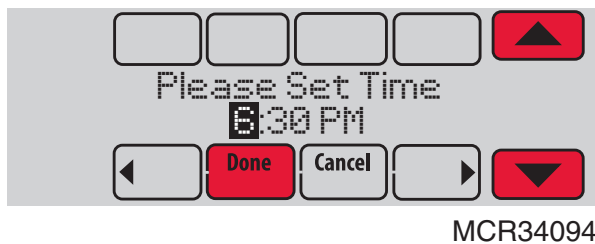


Fig. 82.

5. Touch Home to redisplay the Home screen.

**NOTE:** The date is not shown on the home screen; however, it should be set to allow the thermostat to adjust time automatically for daylight saving time and for other features such as vacation hold.

## Setting the Fan

1. Touch FAN to display fan settings.



Fig. 83.

2. Touch On, Auto, Circ, or Follow Schedule.
  - On: Fan is always on.
  - Auto: Fan runs only when heating or cooling system is on.
  - Circ: Fan runs randomly, about 35% of the time (residential only).
  - Follow Schedule: Fan controlled by program.
3. Touch Done to save and exit.

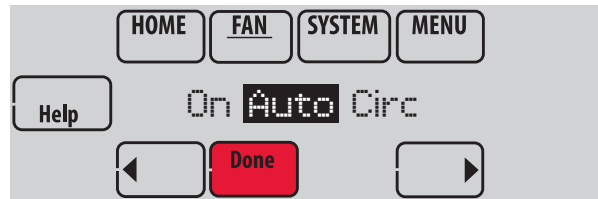


Fig. 84.

**NOTE:** In commercial use, touch Auto or On to temporarily override the programmed fan schedule.

## Setting System Mode

1. Touch SYSTEM to display system settings.



Fig. 85.

2. Touch desired option
  - Heat: Controls only the heating system.
  - Cool: Controls only the cooling system.
  - Off: Heating/cooling systems are off.
  - Auto: Selects heating or cooling depending on the indoor temperature.
  - Em Heat (heat pumps with aux. heat): Controls auxiliary/emergency heat. Compressor is locked out.

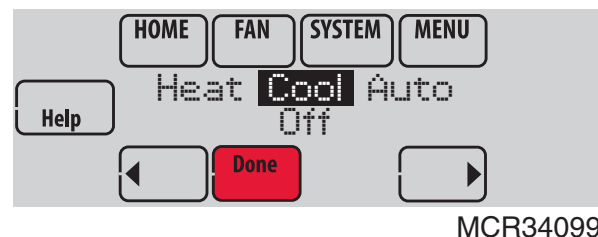


Fig. 86.

3. Touch Done to save and exit.

**NOTE:** The Auto and Em Heat system settings may not appear, depending on how your thermostat was installed.

## Preset Energy-Saving Schedules

These default Energy Saver settings can reduce expenses by as much as 33%.

**Table 3. Residential Use Default Schedule.**

Period	Start Time	Heat (Mon-Fri)	Cool (Mon-Fri)	Heat (Sat-Sun)	Cool (Sat-Sun)
Wake	6:00 am	70°	78°	70°	78°
Leave	8:00 am	62°	85°	62°	85°
Return	6:00 pm	70°	78°	70°	78°
Sleep	10:00 pm	62°	82°	62°	82°

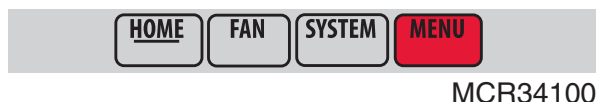
**Table 4. Commercial Use Default Schedule.**

Period	Start Time	Heat	Cool	Fan
Occupied 1	8:00 am	70°	75°	On
Unoccupied 1	10:00 pm	55°	85°	Auto
Occupied 2*	12:00 am	70°	75°	On
Unoccupied 2*	12:00 am	55°	85°	Auto

\* Period 2 is cancelled by default. If you activate it, the values shown above are default settings.

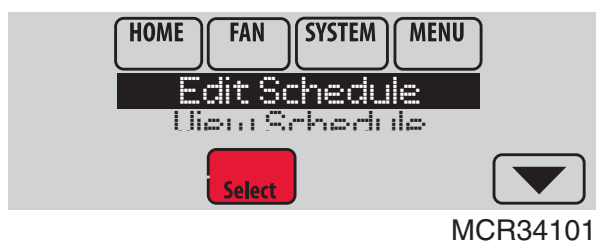
## Adjusting Program Schedules

1. Touch MENU.



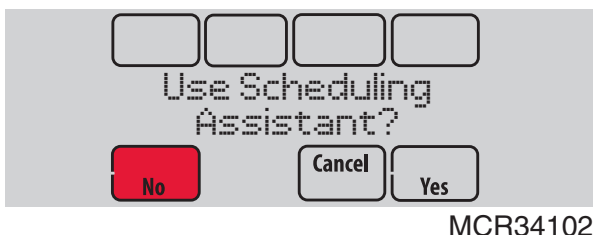
**Fig. 87.**

2. Select Edit Schedule to display Use Scheduling Assistant?



**Fig. 88.**

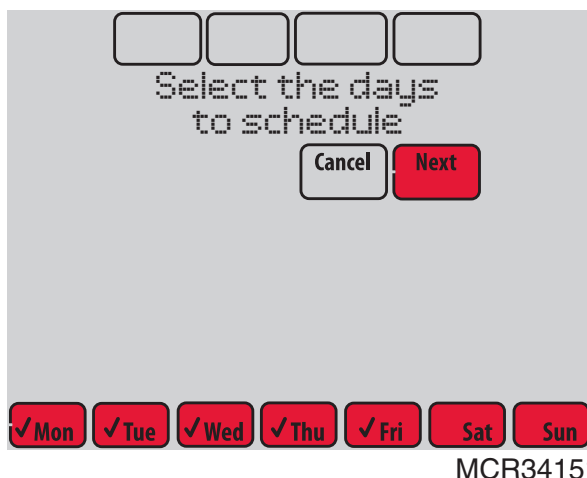
- Touch Yes to create a schedule by answering simple questions.
- Touch No to manually create a program schedule.



**Fig. 89.**

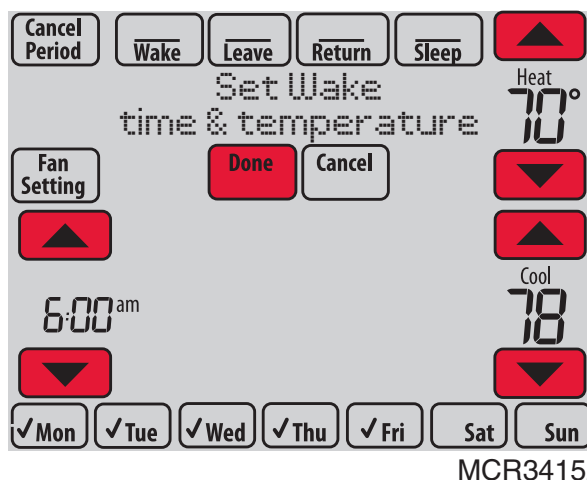
**NOTE:** To reduce costs, use the “Preset Energy-Saving Schedules” on page 62.

3. Select the days to schedule, touch Next.



**Fig. 90.**

4. Touch ▲ or ▼ to set your Wake time for selected day(s).
5. Touch ▲ or ▼ to set Heat and Cool temperatures for the Wake period.
6. Touch other time periods (Leave, Return, Sleep) to set time and temperatures for each.
7. Touch Done to save and exit (Touch Cancel to exit without saving changes).



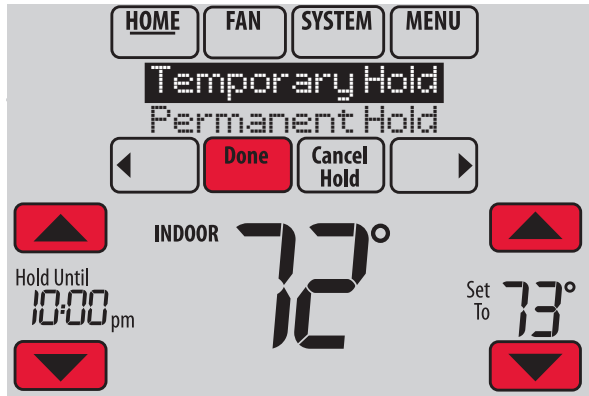
**Fig. 91.**

**NOTE:** Touch Cancel Period to eliminate any unwanted time period.

Touch Fan Setting to customize fan settings for any time period.

## Overriding Schedules: Residential Use

1. Touch ▲ or ▼ to adjust the temperature (right side of screen) and the Hold Until time (left side). The schedule will resume when the Hold Until time expires.



MCR34103

Fig. 92.

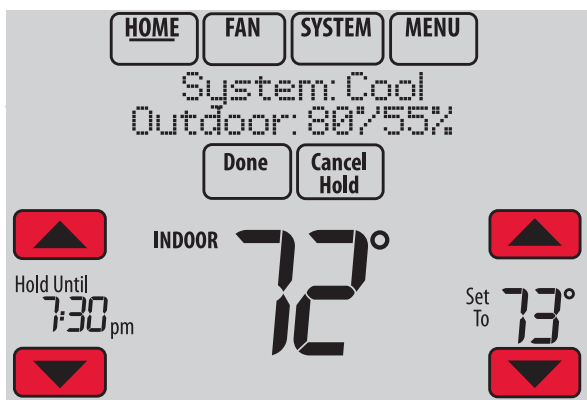
2. Select Permanent Hold to keep the same temperature until you change it or resume the program schedule.

Touch Cancel Hold at any time to resume the program schedule.

## Overriding Schedules: Commercial Use

Touch ▲ or ▼ to adjust the temperature. It will be maintained until the hold time you set.

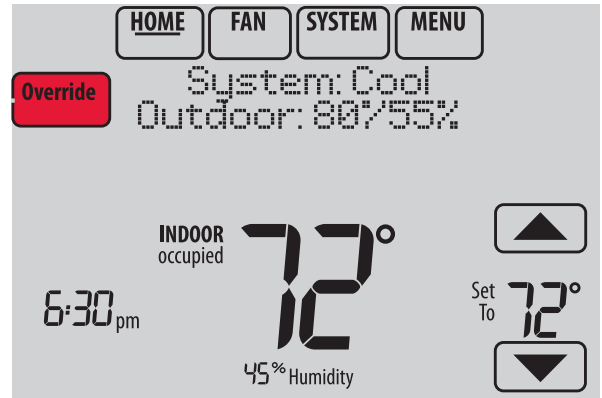
- To change the hold time, touch the Hold Until arrow buttons. This time can be adjusted up to the maximum time set by the installer.



MCR34169

Fig. 93.

- Touch Override to use a pre-set occupied temperature if a person uses the room during an unoccupied period. The new temperature will be maintained for 1 hour and can be adjusted up to the maximum time set by the installer.



MCR34106

Fig. 94.

The programmed schedule will resume when the override timer expires. Touch Cancel Hold at any time to resume the program schedule.

## Viewing Equipment Status

1. Touch MENU.



MCR34100

Fig. 95.

2. Select Equipment Status.

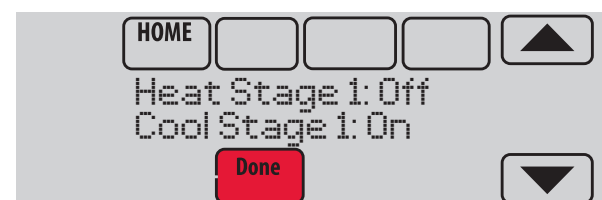


MCR34108

Fig. 96.

3. Touch ▲ or ▼ to view the status of all the equipment your thermostat is controlling. Depending on how your thermostat was installed, the Equipment Status screen can report data about the following systems:

- Heating and cooling
- Fan
- Humidification
- Dehumidification
- Ventilation
- Maintenance reminders
- Thermostat information



MCR34109

Fig. 97.

## Setting Vacation Hold: Residential Use

This feature helps you save energy while you are away, and restores comfortable settings just before you return home.

1. Touch MENU.

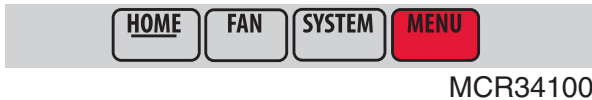


Fig. 98.

2. Select Vacation Mode.

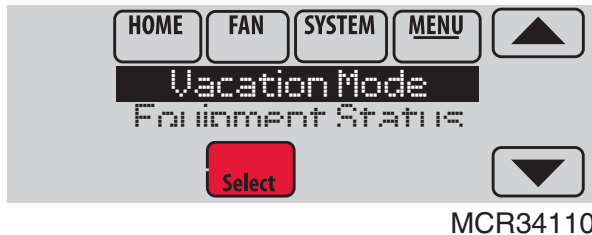


Fig. 99.

3. Touch ▲ or ▼ to select the date you leave, then touch Next for further scheduling details, including times of day, temperature settings, return date, and return settings.

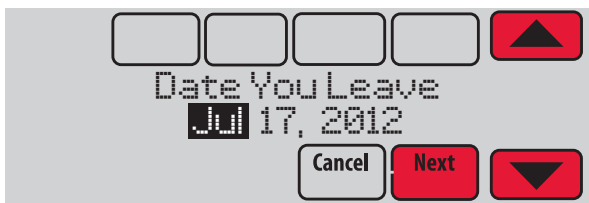


Fig. 100.

4. Review your selections on the last display, and touch Done to save your settings. Touch Cancel to ignore the changes.



Fig. 101.

## Setting Holiday/Event Schedules: Commercial Use

This feature helps you conserve energy when the workplace is unoccupied for special events and holidays.

1. Touch MENU.



Fig. 102.

2. Select Holiday Schedule.

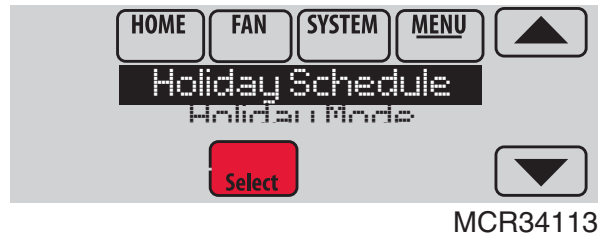


Fig. 103.

3. Select the item you want to schedule and touch Next for further scheduling details.
  - Custom Events lets you set up other days for special schedules.
  - US and Canadian Holiday options let you select from a list of holidays commonly observed in each country.



Fig. 104.

4. Make selections as prompted on each screen. For more information, see next two pages.
5. Touch Done to save your settings.

## Setting Custom Events: Commercial Use

This feature lets you customize temperature settings to be maintained during a specific event. You can set up an event for a specific date or day in a month. The thermostat resumes normal scheduling after the event. The thermostat can be scheduled for up to 25 Custom Events.

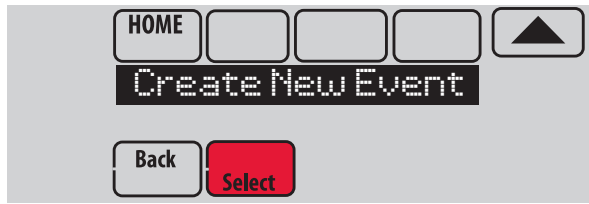
1. Select Custom Events from the Holiday Schedule menu.



Fig. 105.



2. Select Create New Event.



MCR34116

Fig. 106.

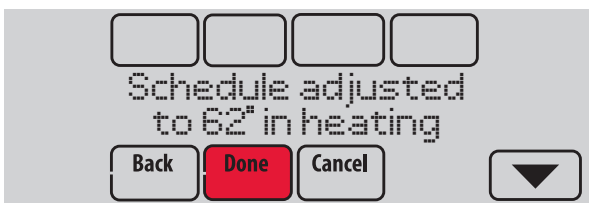
3. Select Specific Date or Month/Weekday.
  - For Specific Date, you are prompted to select the event's start date, settings, end date, and frequency.
  - For Month/Weekday, you are prompted to select the month, day of the week, week of the month, settings, length of event, and frequency for the event.



MCR34117

Fig. 107.

4. Review the settings and touch Done to save them. Touch Cancel to ignore the changes.



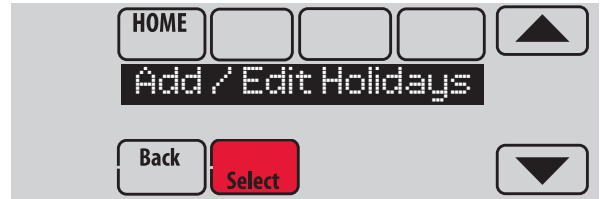
MCR34118

Fig. 108.

## Setting Holiday Schedule: Commercial Use

This feature lets you customize temperature settings to be maintained on specified national holidays. The thermostat resumes normal scheduling between selected holidays.

1. Select US Holidays or Canadian Holidays from the Holiday Schedule menu.
2. Select Add/Edit Holidays. A list of national holidays is displayed.



MCR34119

Fig. 109.

3. Touch the check box next to each holiday for which you want to maintain specific settings, (Touch ▲ or ▼ to scroll through the holiday list.) then touch Next.

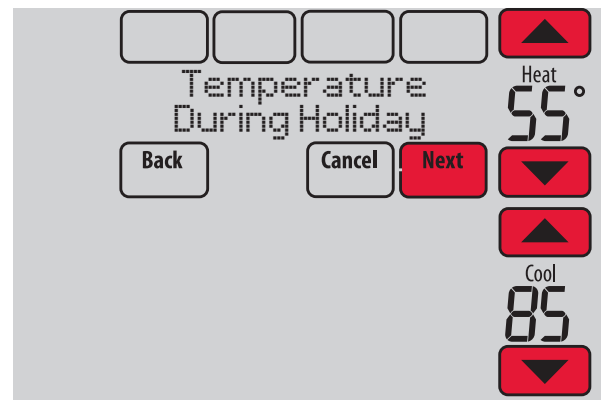
Set the holiday schedule for Occupied or Unoccupied temperatures, depending whether the building will be in use.



MCR34120

Fig. 110.

4. Touch ▲ or ▼ to select the Heat and Cool temperatures.



MCR34121

Fig. 111.

5. Review the settings and touch Done to save them. Touch Cancel to ignore changes.

## Setting Holiday Override: Commercial Use

This feature lets you customize temperature settings to be maintained from now until a specified date. The thermostat resumes normal scheduling on the date you select.

1. Touch MENU.

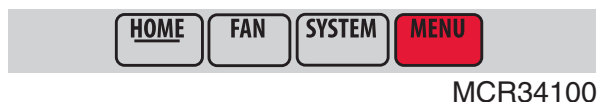


Fig. 112.

2. Select Holiday Mode to display Temperature While Away.

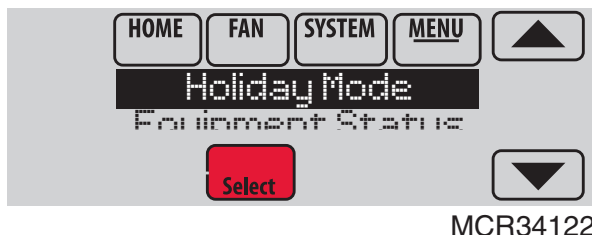


Fig. 113.

3. Touch ▲ or ▼ to select the Heat and Cool temperatures, then touch Next to select return date.

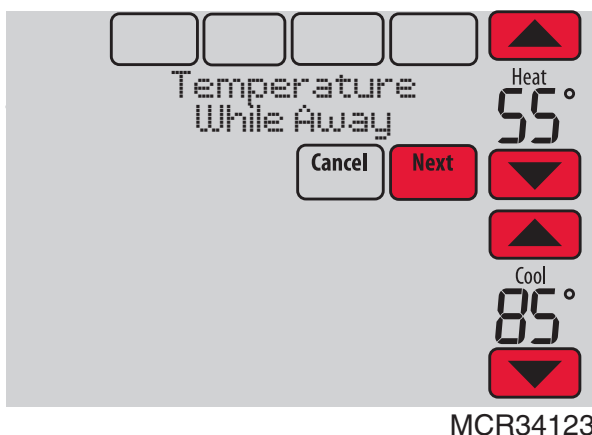


Fig. 114.

4. Review the settings and touch Done to save them. Touch Cancel to ignore the changes.

**NOTE:** The cool temperature can only be set higher than the unoccupied program setting and the heat temperature can only be set lower than the unoccupied program setting.

## Initiating Occupancy Mode: Commercial Use

This feature keeps temperature at an energy saving level until you touch **Press HERE to Start Occupancy**. When you arrive, touch the message to maintain a comfortable temperature while the room is occupied.

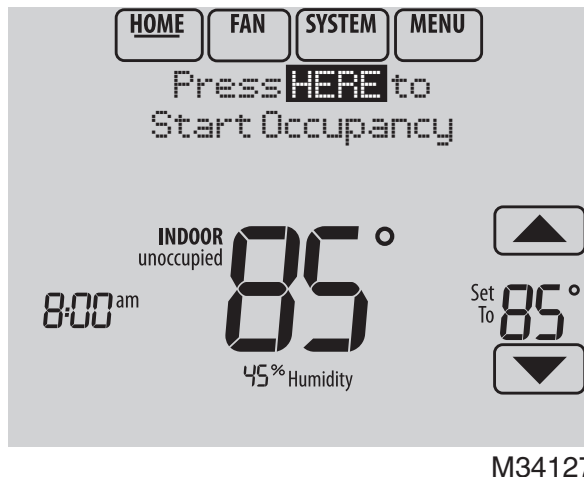


Fig. 115.

Touch the ▲ or ▼ buttons to set the temperature or the Hold Until time. The temperature is maintained until the time you set. Temperature returns to an energy-saving level after the timer expires, or the “Occupied” period ends.

**NOTE:** This feature is available only when programmed by the installer.

## Remote Setback: Commercial Use

During Occupied program periods, an occupancy sensor directs the thermostat to go to REMOTE SETBACK settings when the room is empty. If someone is in the room, it uses the Occupied program period settings. The thermostat ignores the occupancy sensor during Unoccupied program periods.

If the thermostat is set up to be non-programmable, the sensor directs the thermostat to go to REMOTE SETBACK settings when the room is empty. If someone is in the room, then it follows the settings set by the user.

Depending on how your thermostat was installed, it may delay for up to 30 minutes before switching to REMOTE SETBACK settings. This delay allows the room to stay comfortable if the room is unoccupied for only a short time.

## Adjusting Humidification Settings

1. Touch MENU and select Humidification.

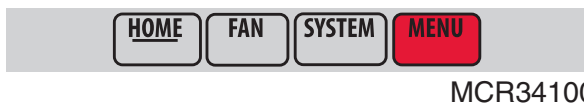


Fig. 116.

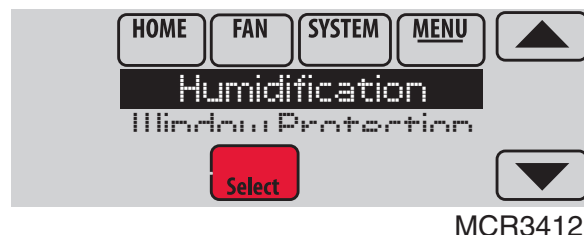
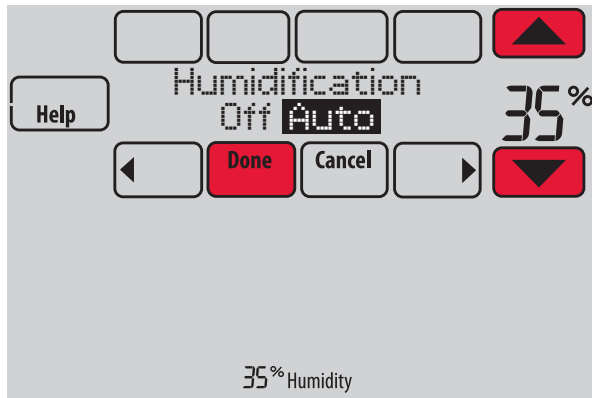


Fig. 117.

2. Select Auto.



MCR34129

Fig. 118.

3. Touch ▲ or ▼ to select humidity level.
4. Touch Done to save your settings. Touch Cancel to ignore changes.
5. If frost or condensation appears on the windows, press MENU, scroll down and select Window Protection.



Fig. 119.

6. Window Protection is set on a scale from 1–10. A setting of 1 represents poorly insulated windows and a setting of 10 represents well insulated windows. A lower number automatically reduces the humidity to help prevent frost or condensation on your windows. Use a higher number if indoor air seems too dry. To prevent frost/condensation on your windows during cold outdoor temperatures, poorly insulated windows require a lower Window Protection setting, which will limit how much your humidifier can run.
7. After you set the Window Protection setting, check for frost/condensation on your windows in the morning. If frost/condensation is present, adjust the Window Protection setting to the next lowest number and check for frost/condensation on your windows the next morning. Continue to adjust the Window Protection setting to a lower number until frost/condensation is no longer present.

**NOTE:** Window Protection is available only if an outdoor air sensor is installed.

**NOTE:** The thermostat controls humidification and dehumidification as needed to maintain the desired humidity level. Depending on how your thermo-

stat was installed, the thermostat may maintain a 15% separation between humidification and dehumidification settings.

## Adjusting Dehumidification Settings: Residential Use

This feature can control a dehumidifier or use your air conditioner to reduce humidity.

1. Touch MENU and select Dehumidification.



MCR34100

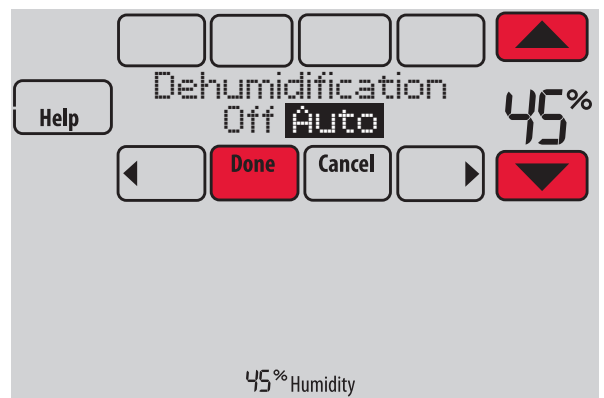
Fig. 120.



MCR34130

Fig. 121.

2. Select Auto.



MCR34131

Fig. 122.

3. Touch ▲ or ▼ to select humidity level.
4. Touch Done to save your settings. Touch Cancel to ignore changes.

**NOTE:** If your air conditioner is used to control humidity, the temperature may drop up to 3° F below your temperature setting until humidity reaches the desired level.

## Adjusting Dehumidification Settings: Commercial Use

This feature can control a dehumidifier or use your air conditioner to reduce humidity.

1. Touch MENU and select Dehumidification.

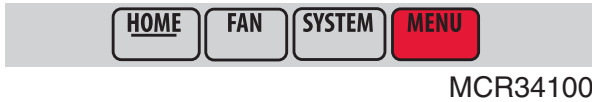


Fig. 123.

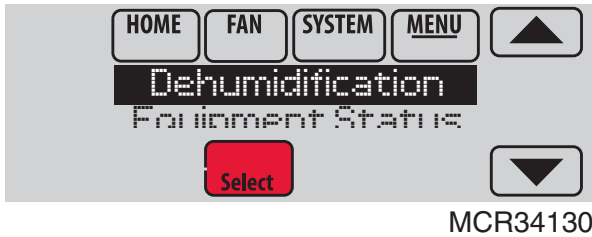


Fig. 124.

2. Select Auto.

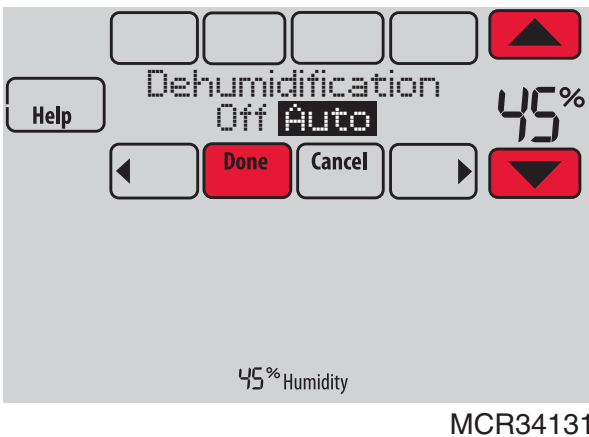


Fig. 125.

3. Touch ▲ or ▼ to select humidity level.
4. Touch Done to save your settings. Touch Cancel to ignore changes.

If your air conditioner is used to control humidity, the thermostat may use the following methods to maintain humidity:

- Cool from 1° to 5° F lower than your temperature setting.
- Run cooling for the minimum “on” time to reduce humidity.
- Run cooling and heating at the same time to reduce humidity without lowering the temperature.

## Adjusting Ventilation Settings

1. Touch MENU, and select Ventilation.



Fig. 126.

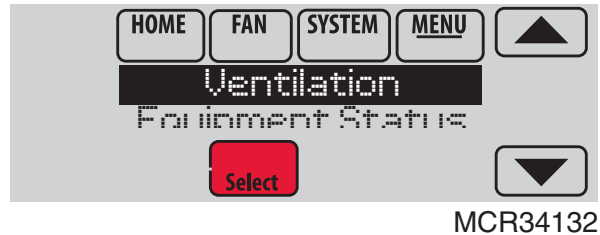


Fig. 127.

2. Select Mode, Temporary Boost, or Lockout, then select appropriate options.

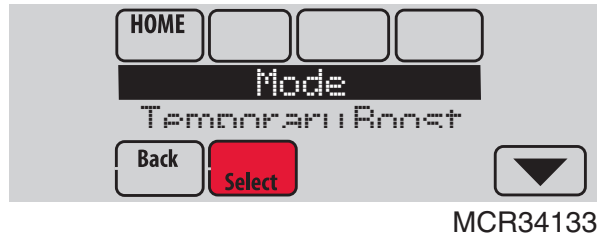


Fig. 128.

3. Touch Done to save your settings. Touch Cancel to ignore changes.

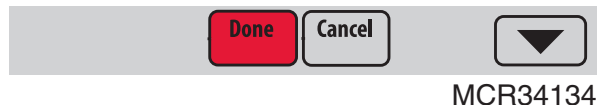


Fig. 129.

## Ventilation Options

### Mode:

**Auto:** Ventilation runs as programmed by the installer.

**Off:** Ventilation remains off unless turned on using the timer.

**On:** Ventilation is always on.

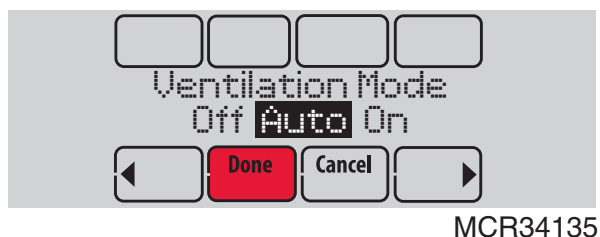


Fig. 130.

**Temporary Boost:** Touch ▲ or ▼ to select how long to run ventilation temporarily. To turn it off, set it to zero.

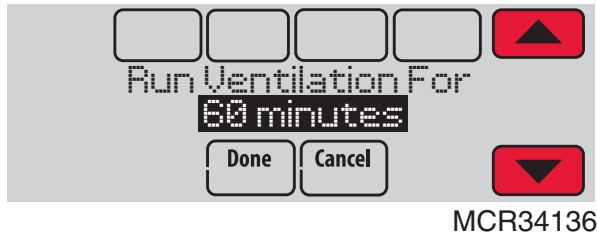


Fig. 131.

**Lockout:** Touch ▲ or ▼ to select Yes or No, then touch Next. Select Yes to prevent ventilation from running during the Sleep or Unoccupied (commercial) program periods or when outdoor conditions exceed values set by the installer.

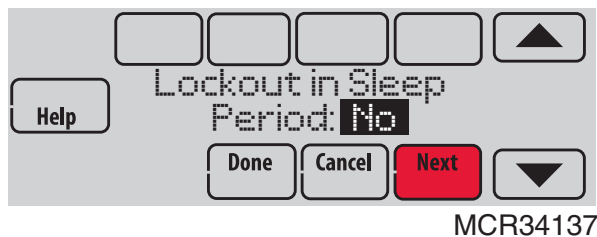


Fig. 132.

## Setting Preferences

Preference menu options let you select how the thermostat displays information or responds to certain situations.

1. Touch MENU and select Preferences.

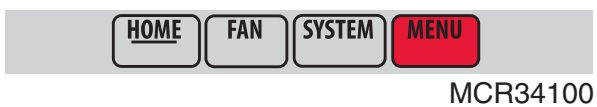


Fig. 133.

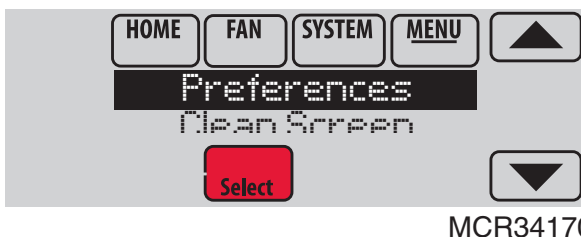


Fig. 134.

2. Select an option and follow prompts:
  - Reminders to change filters
  - Fahrenheit/Celsius display
  - 12/24-hour clock display
  - Display Options
    - Backlighting (Continuous or On Demand)
    - Inactive Backlight (Backlight level while the screen is not in use. Requires C wire and Backlighting must be set to Continuous.)
    - Screen Contrast
  - Alert light options
  - Scheduling options
  - Adaptive recovery
  - Default schedule
  - Daylight saving time

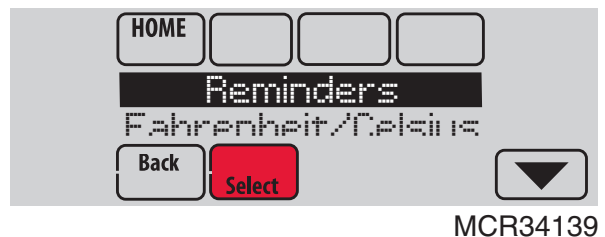


Fig. 135.

3. Touch Done to save your settings. Touch Cancel to ignore changes.

## Cleaning the Thermostat Screen

When you select the Clean Screen option, the screen is locked to prevent accidental changes to the thermostat while you clean the screen.

1. Touch MENU.



Fig. 136.

2. Select Clean Screen. A prompt asks if you want to clean the screen for 30 seconds.

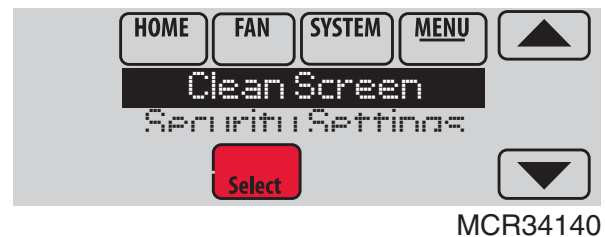


Fig. 137.

3. Touch Yes. A countdown timer displays elapsed time until the screen is reactivated.

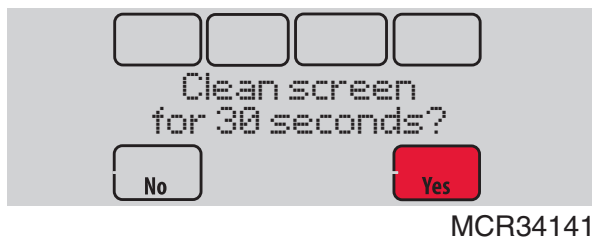


Fig. 138.

**NOTE:** Do NOT spray any liquid directly on the thermostat. Spray liquids onto cloth, then use the damp cloth to clean the screen. Use water or household glass cleaner. Avoid abrasive cleansers.

### Adjusting Security Settings

You can adjust security options to prevent unauthorized changes to system settings.

1. Touch MENU and select Security Settings.



Fig. 139.



Fig. 140.

2. Select an option and follow prompts:

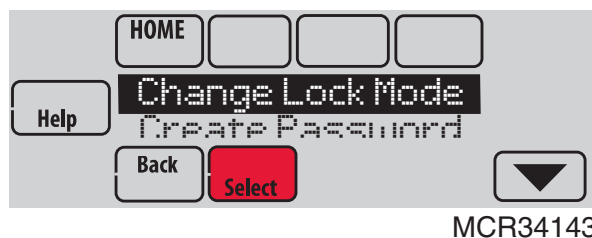


Fig. 141.

- **Unlocked:** Full access allowed.
- **Partially locked:** Only temperature can be changed.
- **Fully locked:** No access allowed.



Fig. 142.

**NOTE:** If you choose to use a password for additional security, write it down for reference.



### Viewing Dealer Information

Check dealer information if you need to contact your installer for maintenance, repairs, or upgrades.

1. Touch MENU.

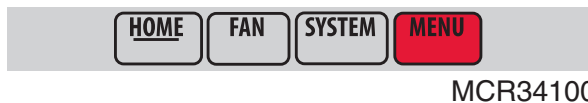


Fig. 143.

2. Select Dealer Information.



Fig. 144.

3. Scroll through the displayed information.
4. Touch Done to return to the menu.

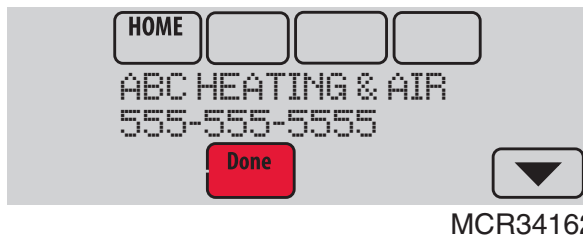


Fig. 145.

## Advanced Features

### ADAPTIVE INTELLIGENT RECOVERY (RESIDENTIAL USE ONLY)

Over time, the VisionPRO® thermostat "learns" how long it takes your system to reach your programmed temperature setting.

The thermostat turns on the heating/cooling system early and assures that the programmed temperature setting is reached at the programmed time regardless of weather conditions. For example, if the Wake program period is set to 6:00 am with a heat setting of 70 degrees, the heat will turn on before 6:00 am, so the temperature is 70 degrees at 6:00 am. The thermostat displays "In Recovery" when it turns the system on early.

Adaptive Intelligent Recovery® calculates the recovery ramp based on how far the room temperature is away from the temperature setting, previous equipment performance and weather history, allowing the thermostat to start recovery at the optimal time so it can reach the programmed temperature setting at the programmed time.

The VisionPRO® thermostat uses two recovery ramps when setup to control a heat pump system. One ramp for the compressor and one ramp for the auxiliary heat. Once the room temperature intersects the compressor ramp, the compressor turns on until the setpoint is reached. If the room temperature does not rise quickly enough and intersects the second ramp, the auxiliary heat turns on. It takes about one week for the thermostat to adjust to weather conditions, equipment performance and construction of the home. If the temperature setting is reached too early or too late, the ramp is adjusted for the next day's recovery. See Fig. 146.

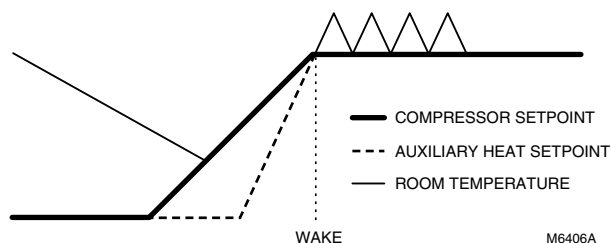


Fig. 146.

### DEHUMIDIFICATION AWAY MODE

Your system can be set to control indoor climate while your home is vacant during the humid season. Before you leave, touch MENU, then select Dehum Away Mode. Temperature and humidity will be kept at levels that protect your home and possessions. When you return, touch Cancel to resume normal operation.

### COMPRESSOR PROTECTION

The thermostat keeps the compressor off for a few minutes before restarting, to prevent equipment damage. During this "off" time, the message "Wait" is displayed on screen.

### PRE-OCCUPANCY PURGE (COMMERCIAL USE ONLY)

This feature turns on the fan 1 to 3 hours before each "occupied" time period, to provide a comfortable workplace when you arrive.

### P + I CONTROL

A conventional mechanical or electronic thermostat does not control temperature precisely at setpoint. Typically there is an offset (droop) in the control point as the system load changes. Many factors contribute to offset including the switch differential, thermal lag, overshoot, cycle rates and system load.

The VisionPRO® thermostat however, works much differently than a conventional mechanical or electronic thermostat. The proprietary algorithm in the thermostat eliminates the factors causing offset (droop). This makes temperature control more accurate than the conventional mechanical or electronic thermostat. The temperature control algorithm is called proportional plus integral (P + I) control.

The thermostat sensor or a remote indoor sensor senses the current space temperature. The proportional error is calculated by comparing the sensed temperature to the setpoint temperature. The deviation from the setpoint is the proportional error.

The thermostat also determines integral error, which is a deviation based on the length of error time (how long the sensed room temperature has been away from the setpoint temperature). The sum of the two errors is the (P + I) error. The cycle rate used to reach and maintain the setpoint temperature is computed using the P + I control algorithm. The addition of the integral error is what differentiates the thermostat from many other mechanical and electronic thermostats. See Fig. 147.

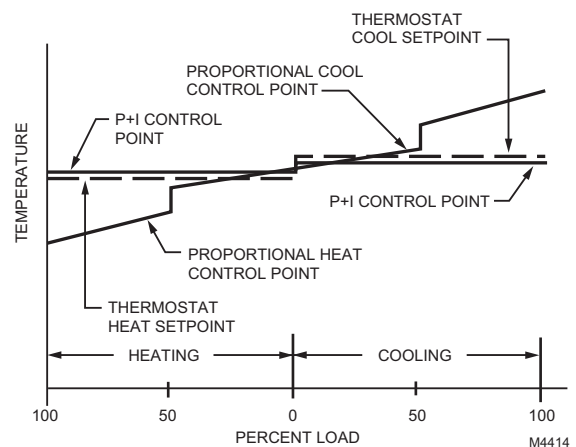


Fig. 147.

## Installer Options

Installer options require a password and should only be changed by a qualified technician.

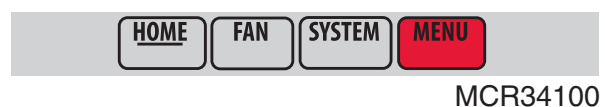


Fig. 148.





Fig. 149.

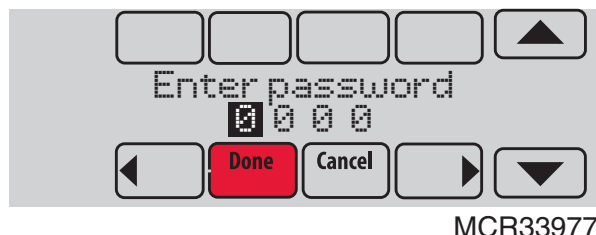


Fig. 150.

## Using the Temperature Display

In some circumstances, the temperature displayed on the Home screen may not match the temperature near the thermostat.

If your system is set up to use remote indoor sensors, it may be reading a sensor in another location.

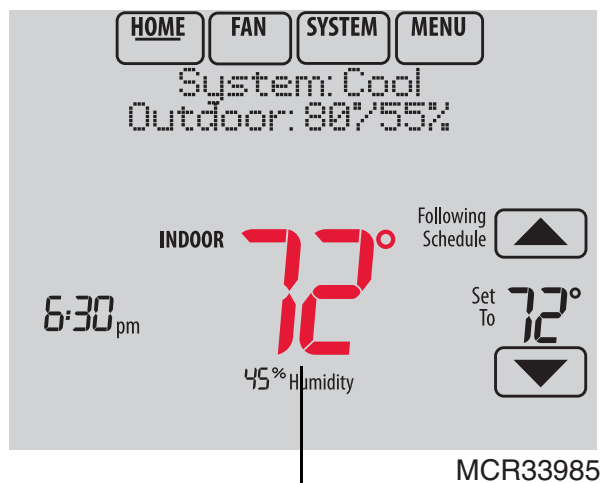


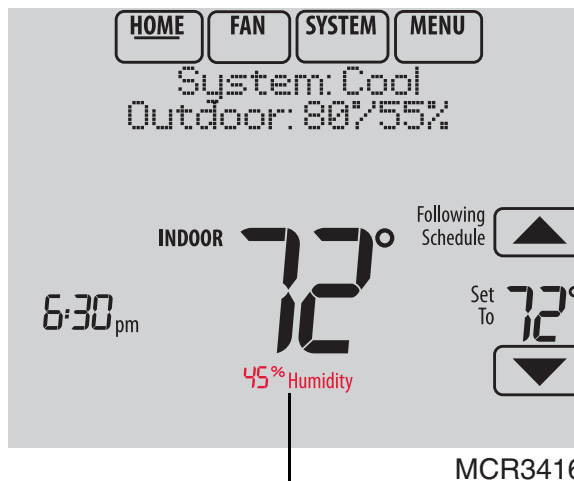
Fig. 151.

## Using the Humidity Display

In some circumstances, the humidity displayed on the Home screen may not match humidity near the thermostat.

Some systems are set up to use two sensors, one to control humidification, the other for dehumidification. These sensors are often installed in different locations.

Depending on how your thermostat was installed, the thermostat Home screen will display humidity readings from only one sensor.



Humidity reading depends on location of sensor.

Fig. 152.

## Universal Outputs (U1, U2, U3)

U1, U2, U3 are universal outputs that can be setup to control IAQ equipment and a stage of heating or cooling in the Installer Setup. Setup options are listed below. See Thermostat Wiring Guides on page 129 and Equipment Interface Module wiring guides on page 130.

### Universal Output Options

With Equipment Interface Module (U1, U2, U3):

- Humidification (ISU 803)
- Dehumidification (ISU 904)
- Ventilation (ISU 1002)
- Cool Stage 3 (ISU 208)
- Cool Stage 4 (ISU 209)
- Geothermal Radiant Heat (ISU 203, 204)

TH8321 Thermostat Only (U1)

- Humidification (ISU 803)
- Dehumidification (ISU 904)
- Ventilation (ISU 1002)
- Cool Stage 3 (ISU 208)
- Conventional Heat Stage 3 (ISU 210, 214)
- Backup Heat Stage 2 for Heat Pumps (ISU 217)
- Geothermal Radiant Heat (ISU 203)

## Universal Inputs (S1, S2, S3, S4)

S1, S2, S3 and S4 are universal inputs that can be setup to work with a sensor or dry contact device in the Installer Setup. Setup options and compatible sensors are listed below. See wiring diagrams on page 74 and page 135. The thermostat has 1 Universal Input and the Equipment Interface Module has 4 Universal Inputs.



## Universal Input Options

Indoor Air Sensor (ISU 500)

- C7189U1005 (10K)
- C7772A1004 (20K)
- C7772A1012 (20K)
- TR21 (20K)
- TR21-A (10K)

Outdoor Air Sensor (ISU 500)

- C7089U1006 (10K)

Discharge/Return Air Sensors (ISU 500)

- C7735A1000 (10k)
- C7770A1006 (20K)
- C7041 (20K)

Occupancy Sensor for Remote Setback (ISU 600) (Requires Equipment Interface Module)

- WSK-24

Dry Contact Alerts (ISU 600) (Requires Equipment Interface Module)

- Low Voltage Dry Contact Device

## Data Logs

The Data Logs collect system information that can help point a service technician in the right direction when troubleshooting.

To access a Data Log, it must be saved to a MicroSD card. See “Using the Data Logs” beginning on page 73 and “MicroSD card” beginning on page 100 for more information.

Data Logs include the Alerts Log and the User Interactions Log.

## Alerts Log

The Alerts Log stores a history of the most recent 25 alerts and records the date and time of each alert. It can be turned on, off, and reset at the thermostat.

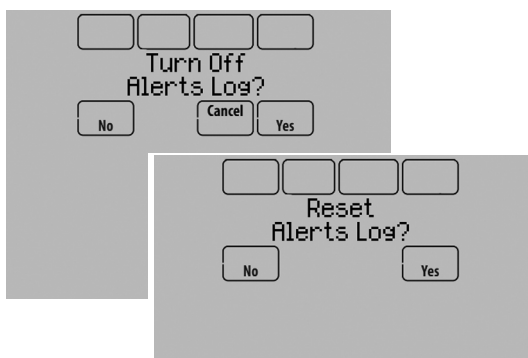


Fig. 153.

The Alerts Log contains information about the alert and system information.

The Alerts Log can include:

- The alert name and description.
- System details at the time of the alert.
- The alert status (snoozed, dismissed, recovered).

## User Interactions Log

The User Interactions Log can help a service technician save time by determining if the issue is related to a system problem or an accidental user error.

The User Interactions Log records the date and time for most changes made by the user, whether made at the thermostat or from a remote location (smart phone, tablet, web, or Portable Comfort Control, etc.). The log saves the most recent 250 user changes, including:

- Indoor Air Quality Settings
- Maintenance Reminders
- Temperature Settings
- System/Fan Mode
- Alerts (snoozed or dismissed)
- Installer Setup
- Date/Time

The User Interactions Log can be turned on, off, and reset at the thermostat.

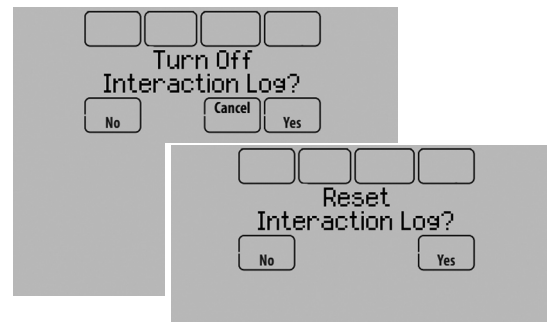


Fig. 154.

## Using the Data Logs

To view a data log, you must download the log to a microSD card and then view it on your computer. For more information on using the MicroSD card, see “MicroSD card” beginning on page 100.

## Dry Contact Alerts

A Dry Contact device such as a wet switch can be connected to the S1, S2, S3 or S4 terminals at the Equipment Interface Module.

When the dry contact device detects a problem, the thermostat displays an alert on the home screen. When the user touches **Press HERE for info** on the Home Screen, the alert message will be displayed.



Fig. 155.

Pressing Select displays options for addressing the Alert message:

- View More Info
- Remind Me Later
- Dismiss
- View Dealer Info

To clear the Alert, (and turn off the Red Alert Light on the thermostat), select Dismiss.



Fig. 156.

The following dry contact alerts are available.

### Full Drain Pan Alert

When the dry contact device detects that the condensate drain pan is full, the thermostat provides an alert to the user.

**NOTE:** If you want the compressor to turn off when the drain pan is full, wire the system so the dry contact device turns off the compressor when the drain pan is full.

### Dirty Filter Alert

When the dry contact device detects a dirty air filter (pressure drop across the filter), the thermostat provides an alert to the user to replace the filter.

### Water Leak Alert

When the dry contact device detects a water leak, the thermostat provides an alert to the user.

### System Shutdown Alert

When the dry contact device detects a critical problem with the system, the thermostat provides an alert to the user indicating that the system was shut down.

When the dry contact device detects a problem with the system (for example, smoke detection), the thermostat will not call for heating, cooling, fan or IAQ equipment until the dry contact is deactivated or the feature is unconfigured at the thermostat.

### Service Needed Alert

When the dry contact device detects an issue that requires service, the thermostat provides an alert to the user.

### Fan Failure Alert

The Fan Failure Alert protects the equipment when there is no airflow. When the dry contact device (for example, sail switch) detects no air flow for 5 minutes after a call for forced air heat, cool, or fan, the thermostat provides an alert to the user indicating that the system was shut down due to a lack of airflow.

The thermostat will call for the fan and lockout all other equipment until the dry contact device senses air flow again or the feature is unconfigured at the thermostat.

### Custom Alert

Allows the dealer to enter a custom alert to be displayed when a dry contact device is activated. For example, a float switch can detect when your sump pump is not working.

## Set Up the Dry Contact Alerts

You can connect the S1, S2, S3 and S4 terminals on the EIM to a dry contact device to display an alert. Dry contact alerts include Full Drain Pan, Dirty Filter, Water Leak, System Shutdown, Service Needed, Fan Failure and Custom Alert. Dry contact device can be normally open (shown in diagram) or normally closed.

## WARNING

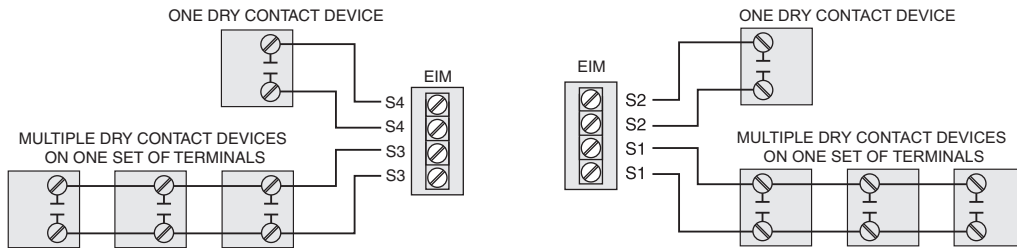
### Equipment Damage Hazard.

Do not apply power to S1, S2, S3 or S4 terminals. Do not connect a temperature sensor to the S1, S2, S3 or S4 terminals if setup for a dry contact device.

### IMPORTANT

*The dry contact device must be rated for low voltage.*

**NOTE:** You can connect multiple Dry Contact devices in parallel to the S1, S2, S3 or S4 terminals.



**Fig. 157. Wiring dry contact devices.**

1. Wire the dry contact device to S1, S2, S3 or S4 terminals at the EIM.
2. Enter Installer Setup (see “Make Changes to Installer Setup” beginning on page 20).
3. Dry Contacts are selected at ISU 600. Select the appropriate Dry Contact(s) and press Next.

Refer to the instructions packed with the dry contact device to determine if it is normally open or normally closed.



**Fig. 158.**

4. Select the terminals wired to the Dry Contact device, and press Next.



**Fig. 159.**

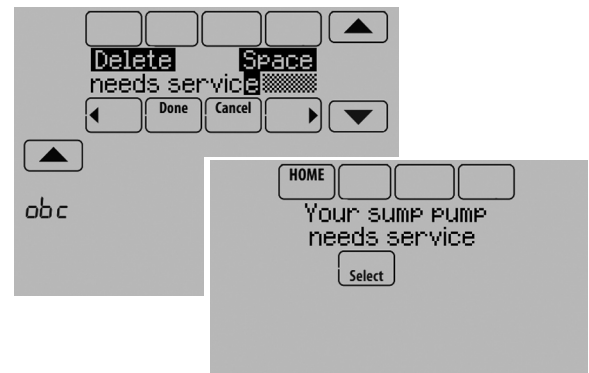
5. Select Normally Open or Normally Closed, and press Next.

**NOTE:** For example, if a wet switch is normally open, it will close when the device detects water. If the wet switch is normally closed, it will open when the device detects water.



**Fig. 160.**

6. If you are creating a custom alert, type the alert name and press Done. The alert name is what appears on the Home screen when the alert is detected. See Fig. 161. You can edit or confirm the alert name after you enter it.



**Fig. 161.**

7. Type the custom alert message and press Done. The custom alert message appears after selecting the alert and pressing "View More Info". See Fig. 162. You can edit or confirm the alert message after you enter it.

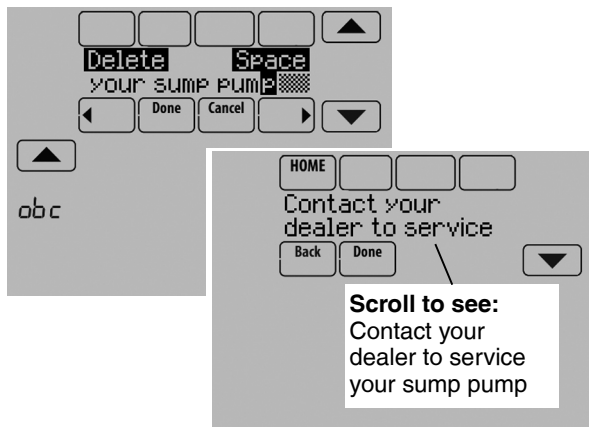


Fig. 162.

8. Repeat steps 4–5 for the other Dry Contact, if necessary.

## Staging Control

### Differential Between All Stages

The thermostat provides Differential settings between all stages. The equipment changes stages based on how far the indoor temperature is from the setpoint. Differential settings provide a way to balance comfort and conservation.

### Heat Differential

The indoor temperature must drop to the selected differential setting before the thermostat will turn on the stage of heating. For example, if stage 2 is set to 2 °F (1.0 °C), the indoor temperature must be 2 °F (1.0 °C) away from the setpoint before stage 2 turns on. When set to Comfort, the thermostat will use the stage of heating as needed to keep the indoor temperature within 1 °F (0.5 °C) degree of the setpoint. The thermostat turns on stage 2 when the capacity on stage 1 reaches 90%.

### Cool Differential

The indoor temperature must rise to the selected differential setting before the thermostat turns on the stage of cooling. For example, if stage 2 is set to 2 °F (1.0 °C), the indoor temperature must be 2 °F (1.0 °C) away from the setpoint before stage 2 turns on. When set to Comfort, the thermostat uses the stage of cooling as needed to keep the indoor temperature within 1 °F (0.5 °C) degree of the setpoint. The thermostat turns on stage 2 when the capacity on stage 1 reaches 90%.

### TO CHANGE DIFFERENTIAL SETTINGS

1. Select Advanced Options to view/adjust differentials between all stages.



Fig. 163.

2. Default is Comfort. Adjust differentials as needed.



Fig. 164.

### Backup Heat Droop

A Backup Heat Droop is available for any system with 2 heating types. For example:

- Heat Pumps with any type of Backup Heat
- Radiant Heat with any type of Backup Heat
- Hot Water Fan Coil with any type of Backup Heat

The Backup Heat Droop restricts backup heat during the following conditions:

- Normal Operation
- Manual Setpoint Changes

The options are:

- **Comfort** – keeps temperature within 1 degree of the setpoint.
- **2 to 15 °F** – Backup heat is not used unless the indoor temperature drops to the selected Backup Heat Droop. For example, if the Backup Heat Droop is set to 2 °F (1.0 °C), the indoor temperature must be 2 °F (1.0 °C) away from the setpoint before the backup heat turns on.

### NORMAL OPERATION

When the Backup Heat Droop is set to Comfort, the thermostat uses backup heat as needed to keep the indoor temperature within 1 °F (0.5 °C) of the setpoint. The Comfort setting is NOT an option on heat pumps with fossil fuel backup heat.

When the Backup Heat Droop is set to 2 °F or higher, backup heat is not used unless the indoor temperature drops to the Backup Heat Droop setting or the Backup Heat Upstage Timer expires, whichever occurs first. The upstage timer starts when the highest stage of the previous equipment type turns on.

**MANUAL TEMPERATURE CHANGE**

When the Backup Heat Droop is set to Comfort, the thermostat uses backup heat as needed to keep the indoor temperature within 1 °F (0.5 °C) of the setpoint. The Comfort setting is NOT an option on heat pumps with fossil fuel backup heat.

When the Backup Heat Droop is set to 2 °F or higher, if the primary heat is making progress as expected, backup heat will not be used to reach the new setpoint. Set to a higher number to use less backup heat (a greater difference between the current indoor temperature and the new setpoint is required to turn on backup heat). See notes below.

**PROGRAMMED RECOVERY**

If the primary heat is making progress as expected, backup heat will not be used to reach the setpoint of the next program period. Backup heat is always restricted during a programmed recovery when the Adaptive Intelligent Recovery feature is used. See note below.

**NOTE:** During a programmed recovery (or when the temperature setpoint is changed by the user), the thermostat waits to turn on the backup heat depending on system performance, load conditions and how many degrees the temperature setpoint is changed. Backup heat will be used ONLY when the temperature is not rising quickly enough to reach the setpoint in a reasonable time.

**NOTE:** If the backup heat was used in the last 2 hours because the primary heat was not able to maintain the setpoint, the thermostat may turn on the backup heat earlier when the user raises the setpoint. This does NOT apply to heat pumps with fossil fuel backup heat.

**TO CHANGE BACKUP HEAT DROOP SETTINGS**

1. Select Basic Options or Advanced Options to view/adjust Backup Heat Droop settings.

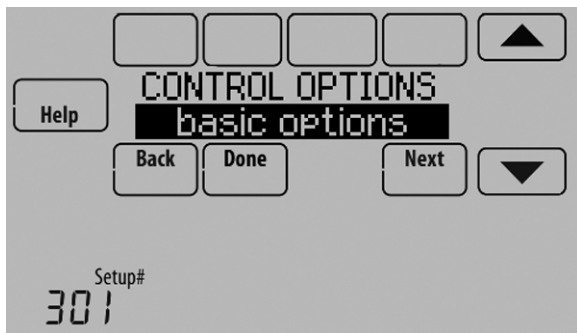


Fig. 165.

2. Default is Comfort. Adjust differentials as needed.

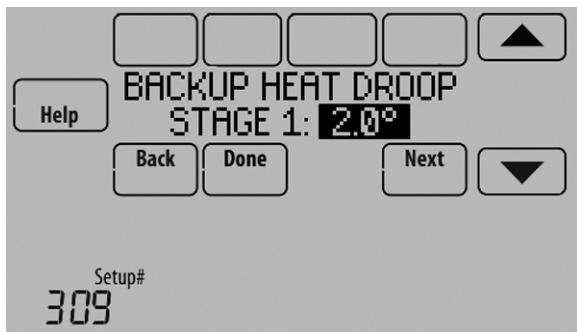


Fig. 166.

**Backup Heat Upstage Timer**

The Backup Heat Upstage Timer is available for any system with 2 heating types and the Backup Heat Droop is set to 2 °F (1.0 °C) or higher.

Backup heat is not used unless the indoor temperature drops to the Backup Heat Droop setting or the Backup Heat Upstage Timer expires, whichever occurs first. The upstage timer starts when the highest stage of the previous equipment type turns on.

Backup Heat Upstage Timer options are Off, 30 minutes to 16 hours. Default is Off.



Fig. 167.

**Multistage Control**

Multistage Control keeps the high stage of the equipment running until the desired setpoint is reached. This setting is recommended for Geothermal Heat Pumps to allow the loop to rest.

To view/adjust “Finish with High Heat Stage” or “Finish with High Cool Stage,” set ISU 301 Control Options to “Advanced Options.” See Fig. 168. Select Yes to turn on this feature. Default is No.

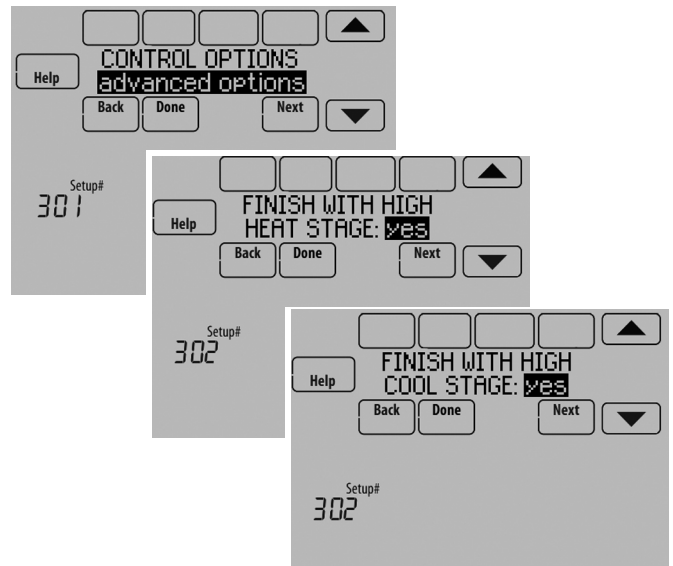
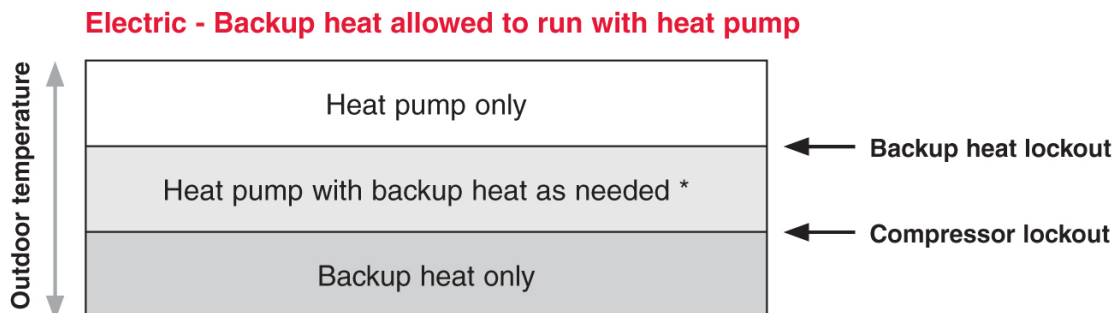


Fig. 168.

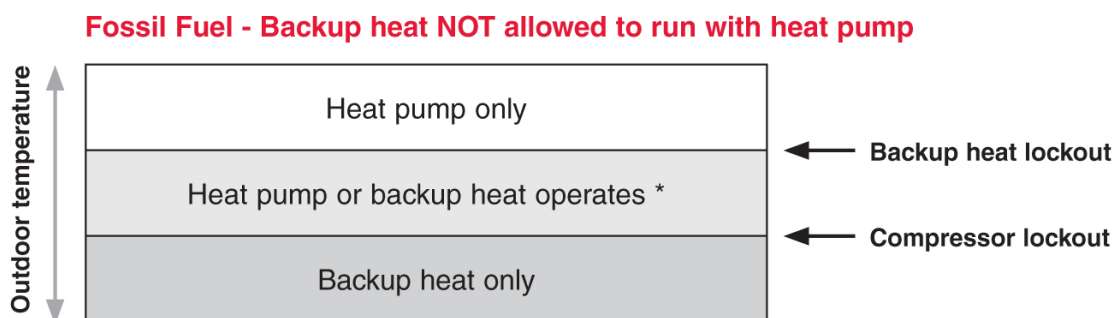
# HEAT PUMP AND BACKUP HEAT OPERATION

## Heat pump with outdoor temperature lockouts

Outdoor temperature lockouts are optional. See Installer Setup options (ISU 312).



\* No backup heat unless indoor temperature drops to selected Backup Heat Droop setting, or Backup Heat Upstage Timer expires. **Heat pump stays ON when backup heat turns on.**



\* No backup heat unless indoor temperature drops to selected Backup Heat Droop setting, or Backup Heat Upstage Timer expires. **Heat pump turns OFF when backup heat turns on.**

### Alert Light - General

An alert light is located in the lower right corner of the thermostat. See Fig. 78 and 79. This light turns red when an alert is active or the system is set to the Em. Heat mode. The alert light is on continuous when the thermostat is system powered (C Wire) and flashes if the thermostat is battery powered.

### Alert Light - Heat Pump Systems

When the L terminal is wired to a compressor monitor and it receives 24 volts, the alert light on the thermostat will turn red to indicate a system problem. The thermostat monitors 24 volts on the L terminal in Heat, Cool and Auto modes.

### Alert Light - Emergency Heat Indication

When the thermostat is setup for a Heat Pump with an Auxiliary Heat source, the alert light will turn red when the user sets the system to the Em. Heat mode. It is normal for the alert light to turn red in the Em. Heat mode to remind the user that they are currently operating their Emergency Heat and the Heat Pump is locked out.

### Geothermal Radiant Heat

The thermostat can be setup to control Geothermal Radiant Heat, Geothermal Forced Air Heat and Backup Heat, all from one thermostat. The thermostat stages the equipment starting

with the Geothermal Radiant Heat followed by Geothermal Forced Air Heat and then Backup Heat as needed to maintain the desired temperature. The thermostat allows you to set differential temperature settings between each stage if you want the equipment to stage a certain way (see ISU 303 to ISU 309, page 27). For additional wiring diagrams, see "Wiring" beginning on page 117.

**NOTE:** To turn off Radiant Heat during the shoulder seasons, install an outdoor reset control and connect to the Radiant Heat or switch the thermostat to Emergency Heat mode.

### Electric Backup Heat (Backup Heat Allowed to Run with Heat Pump)

#### HEAT MODE

The thermostat turns on Backup Heat only when the indoor temperature drops to the selected Backup Heat Droop setting or the Backup Heat Upstage Timer expires (whichever occurs first). Geothermal Radiant Heat and Geothermal Forced Air Heat stay on when the Backup Heat turns on.

#### EMERGENCY HEAT MODE

The thermostat turns on the Backup Heat to maintain the desired temperature setting. Geothermal Radiant Heat and Geothermal Forced Air Heat are not used.

## Fossil Fuel Backup Heat (Backup Heat NOT Allowed to Run with Heat Pump)

### HEAT MODE

The thermostat turns on Backup Heat only when the indoor temperature drops to the selected Backup Heat Droop setting or the Backup Heat Upstage Timer expires (whichever occurs first). Geothermal Forced Air Heat turns off when the Backup Heat turns on. Geothermal Radiant Heat stays on when the Backup Heat turns on.

### EMERGENCY HEAT MODE

The thermostat turns on the Backup Heat to maintain the desired temperature setting. Geothermal Radiant Heat and Geothermal Forced Air Heat are not used.

## Set Up Geothermal Radiant Heat

1. Select Geothermal Radiant Heat as shown in Fig. 169.



Fig. 169.

2. Select the number of Radiant Heat Stages. See Fig. 170.

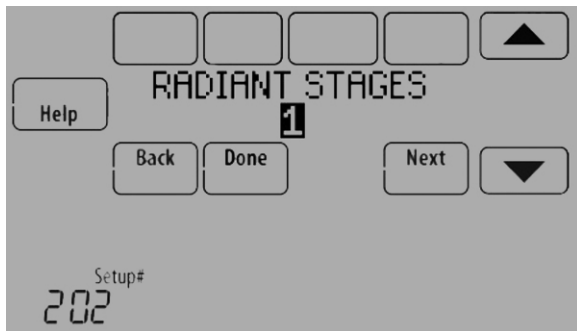


Fig. 170.

3. Select the universal terminals wired to the Geothermal Radiant Heat. See Fig. 171.



Fig. 171.

4. Select a Geothermal Forced Air Option. For example, if Geothermal Forced Air is used for both heating and cooling, select the "Heating and Cooling" option. See Fig. 172. Other options are "None" (Geothermal Forced Air is not used) and "Cool Only" (Geothermal Forced Air is only used for cooling). See Fig. 172.



Fig. 172.

5. Select the Reversing Valve. See Fig. 173.



Fig. 173.

6. Select the number of Compressor and Backup Heat Stages. See Fig. 174.

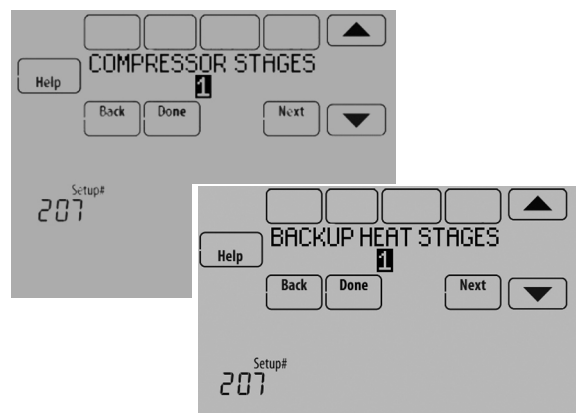


Fig. 174.

7. Select the Backup Heat Type. See Fig. 175.

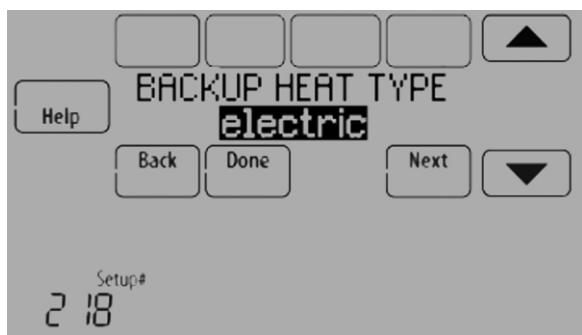


Fig. 175.

## INDOOR AIR QUALITY (IAQ) CONTROL

### Humidification

The thermostat reads the indoor humidity level and allows the user to set a humidification setting with or without window protection.

The thermostat can be set up to control a humidifier in any system mode in the Installer Setup (ISU 806). A discharge air sensor is required to humidify in the cool mode.

If humidification and dehumidification are setup to operate in the same system mode (Heat, Cool, Off) and you are sensing humidity from one location, the thermostat will automatically enforce a 15% deadband between the humidification and dehumidification settings. The thermostat will automatically switch between humidification and dehumidification to maintain the desired humidity level.

If humidification and dehumidification are setup to operate in the same system mode (Heat, Cool, Off) and you are sensing humidity from two different locations using a remote wireless indoor sensor, the thermostat will allow humidification and dehumidification to operate at the same time, and there is no deadband between humidification and dehumidification settings.

### Window Protection

Window Protection limits the amount of humidity to prevent frost or condensation on windows. Window Protection (ISU 805) requires an outdoor sensor.

The thermostat prevents frost or condensation on windows by not allowing the humidifier to run above a certain level. To prevent frost or condensation, the thermostat may turn off the humidifier before the humidity setting is reached.

To adjust the Window Protection setting, press MENU, scroll down and select Window Protection. Window Protection is set on a scale from 1-10. A setting of "1" represents poorly insulated windows and a setting of "10" represents well insulated windows. A lower number automatically reduces the

humidity to help prevent frost or condensation on your windows. Use a higher number if indoor air seems too dry. To prevent frost/condensation on your windows during cold outdoor temperatures, poorly insulated windows require a lower Window Protection setting, which will limit how much your humidifier can run.

After you set the Window Protection setting, check for frost/condensation on your windows in the morning. If frost/condensation is present, adjust the Window Protection setting to the next lowest number and check for frost/condensation on your windows the next morning. Continue to adjust the Window Protection setting to a lower number until frost/condensation is no longer present.



Fig. 176.

If Window Protection is turned Off, the thermostat controls the humidity level to the user's desired humidity setting. Frost or condensation may appear on windows.

### Set up Humidification

1. Select the Humidifier Type at ISU 800. See Fig. 177.

**NOTE:** Based on the humidifier type you select, the thermostat defaults to the most commonly used settings for that humidifier type. For example, a Bypass or Fan Powered humidifier will default ISU 807 to "Hum when Heat is On." A Steam humidifier will default ISU 807 to "Tstat Controls Fan."



Fig. 177.



- If optional remote wireless indoor sensors are installed, you can choose which sensor you want to use for humidification control. You can use a different sensor for dehumidification. See “Wireless Indoor Sensor” beginning on page 113 for more information.



Fig. 178.

- Select the terminals wired to the humidifier. See Fig. 179.

NOTE: U1, U2, and U3 are Normally Open Dry Contacts that require power from the system transformer or a separate transformer. See “Wiring IAQ Equipment or a Heat/Cool Stage to the Universal Terminals” beginning on page 129.



Fig. 179.

- Set Window Protection setting. See Fig. 180.

NOTE: Outdoor sensor is required for Window Protection.



Fig. 180.

- Select the system mode(s) to allow humidification. See Fig. 181.

NOTE: **Heat** includes Heat, Emergency Heat and Auto. If the system is in Auto mode, the thermostat will allow humidification if the last call was for heat.

**Cool** includes Cool and Auto. If the system is in Auto mode, the thermostat will allow humidification if the last call was for cool. A discharge sensor is required to humidify in the Cool mode. The thermostat prevents condensation in the duct work by not allowing the humidifier to run when the discharge temperature goes below the dew point temperature. The humidifier is allowed to run again after the discharge temperature rises above the dew point temperature.

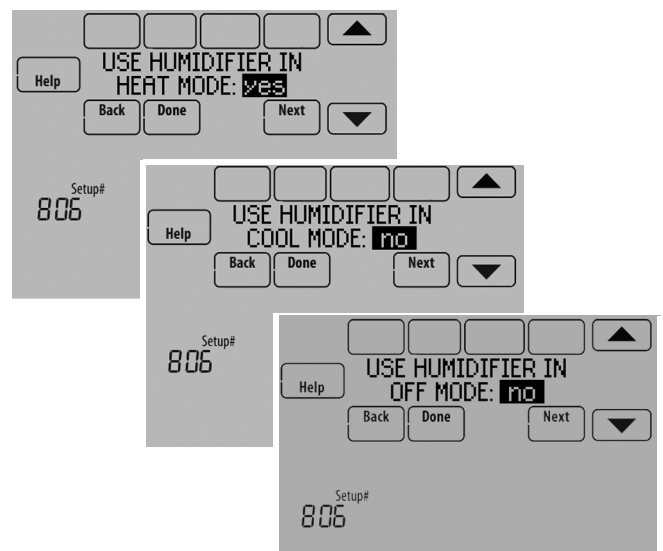


Fig. 181.

- Select from one of the Humidification Control Options (ISU 807). See Fig. 182.
  - Hum when Heat is On**  
The thermostat turns on the humidifier only if the heat is currently running and humidification is needed.
  - Hum when Fan is On**  
The thermostat turns on the humidifier only if the fan is currently running and humidification is needed.
  - Tstat Controls Fan**  
The thermostat turns on the humidifier and the fan when humidification is needed.
  - Hum Controls Fan**  
The thermostat turns on the humidifier when humidification is needed and the humidifier controls the fan.



Fig. 182.

7. Set the desired lockout option. See Fig. 183.



Fig. 183.

NOTE: ISU 1014 gives the option to lockout ventilation during calls for humidification. This helps maintain the desired humidity level.

### Control Humidification Level

1. Touch MENU and select Humidification.

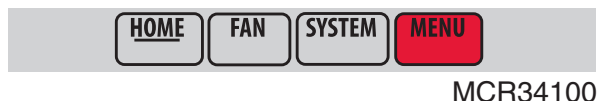


Fig. 184.



Fig. 185.

2. Select Auto.



Fig. 186.

3. Touch ▲ or ▼ to select humidity level.
4. Touch Done to save your settings. Touch Cancel to ignore changes.
5. If frost or condensation appears on the windows, press MENU, scroll down and select Window Protection.



Fig. 187.

6. Window Protection is set on a scale from 1–10. A setting of 1 represents poorly insulated windows and a setting of 10 represents well insulated windows. A lower number automatically reduces the humidity to help prevent frost or condensation on your windows. Use a higher number if indoor air seems too dry. To prevent frost/condensation on your windows during cold outdoor temperatures, poorly insulated windows require a lower Window Protection setting, which will limit how much your humidifier can run.
7. After you set the Window Protection setting, check for frost/condensation on your windows in the morning. If frost/condensation is present, adjust the Window Protection setting to the next lowest number and check for frost/condensation on your windows the next morning. Continue to adjust the Window Protection setting to a lower number until frost/condensation is no longer present.

NOTE: The Window Protection option is only available if an optional outdoor sensor is installed.

NOTE: If humidification and dehumidification are setup to operate in the same system mode (Heat, Cool, Off) and you are sensing humidity from one location, the thermostat will automatically enforce a 15% deadband between the humidification and dehumidification settings. The thermostat will automatically switch between humidification and dehumidification to maintain the desired humidity level.

If humidification and dehumidification are setup

to operate in the same system mode (Heat, Cool, Off) and you are sensing humidity from two different locations using a remote wireless indoor sensor, the thermostat will allow humidification and dehumidification to operate at the same time, and there is no deadband between humidification and dehumidification settings.

## Dehumidification - Residential

The thermostat reads the indoor humidity level and allows the user to set a dehumidification setting. The thermostat controls the humidity level using the cooling system or a whole house dehumidifier.

If humidification and dehumidification are setup to operate in the same system mode (Heat, Cool, Off) and you are sensing humidity from one location, the thermostat will automatically enforce a 15% deadband between the humidification and dehumidification settings. The thermostat will automatically switch between humidification and dehumidification to maintain the desired humidity level.

If humidification and dehumidification are setup to operate in the same system mode (Heat, Cool, Off) and you are sensing humidity from two different locations using a remote wireless indoor sensor (for example, main level and crawl space), the thermostat will allow humidification and dehumidification to operate at the same time, and there is no deadband between humidification and dehumidification settings.

## Dehumidification using the Cooling System

When set for A/C with Low Speed Fan or A/C with High Speed Fan, an overcooling limit can be set from 0 °F to 3 °F (ISU 907). The thermostat uses the cooling system to reduce humidity by lowering the temperature up to 3° F below the current cool setpoint until the desired humidity level is reached.

If set for A/C with Low Speed Fan, configure U1, U2, or U3 as normally open or normally closed (ISU 905) and wire to the Low Speed Fan terminal on the equipment. For example, if the U1, U2, or U3 terminal is normally closed, it will open when the thermostat calls for dehumidification. See “Wiring IAQ Equipment or a Heat/Cool Stage to the Universal Terminals” beginning on page 129.

**NOTE:** The thermostat will not lower the fan speed when the second stage of cooling is on.

## Set up Dehumidification With Cooling System

Some screens shown in this section may not appear on the thermostat, depending on how you set up dehumidification.

1. Select the Dehumidification Equipment in ISU 900. See Fig. 188.

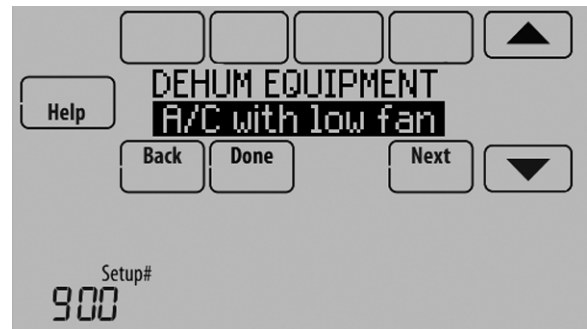


Fig. 188.

2. If optional remote wireless indoor sensors are installed, you can choose which sensor you want to use for dehumidification control. For example, you can use one sensor for humidification control, and another for dehumidification. See “Wireless Indoor Sensor” beginning on page 113 for more information.



Fig. 189.

3. If you are sensing humidity from two separate locations (one for humidification and another for dehumidification), you can select which humidity reading to display on the home screen. See “Wireless Indoor Sensor” beginning on page 113 for more information.



Fig. 190.

- Select the terminals wired to the A/C with Low Speed Fan. See Fig. 191.

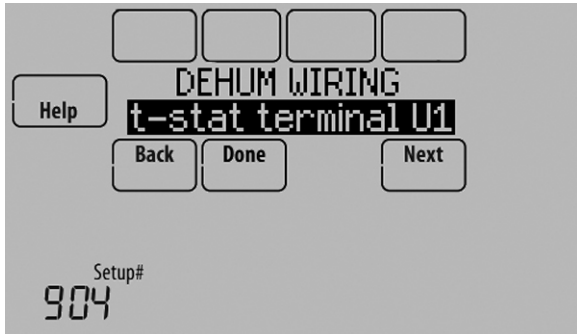


Fig. 191.

- Select whether the U1, U2, or U3 terminals are Normally Open or Normally Closed. See Fig. 192.
  - Normally Open** – contacts are normally open and will close during a call for dehumidification
  - Normally Closed** – contacts are normally closed and will open during a call for dehumidification.

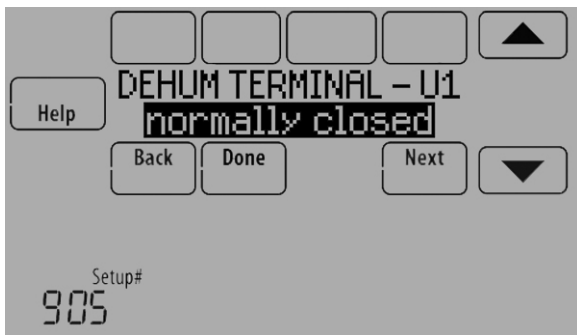


Fig. 192.

- Set the Overcooling Limit. See Fig. 193. Options:
  - 0 °F to 3 °F (A/C with Low Speed Fan)
  - 1 °F to 3 °F (A/C with High Speed Fan)

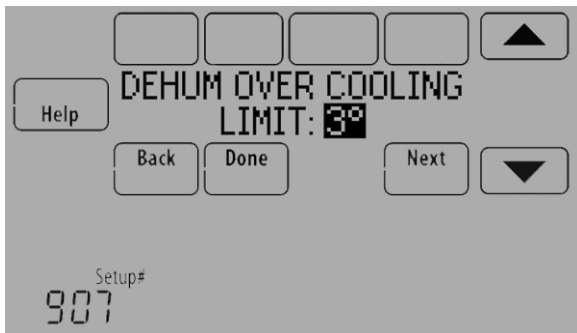


Fig. 193.

NOTE: ISU 1014 gives the option to lockout ventilation on calls for dehumidification. This helps maintain the desired humidity level.

## Dehumidification using a Whole House Dehumidifier

The Whole House Dehumidifier option requires a dedicated unit for dehumidification. The thermostat can be set to control dehumidification in all modes (Heat, Off, Cool [ISU 912]).

## Set up Dehumidification With Whole House Dehumidifier

Some screens shown in this section may not appear on the thermostat, depending on how you set up dehumidification.

- Select the Dehumidification Equipment in ISU 900. See Fig. 194.



Fig. 194.

- If optional remote wireless indoor sensors are installed, you can choose which sensor you want to use for dehumidification control. For example, you can use one sensor for humidification control, and another for dehumidification. See “Wireless Indoor Sensor” beginning on page 113 for more information.

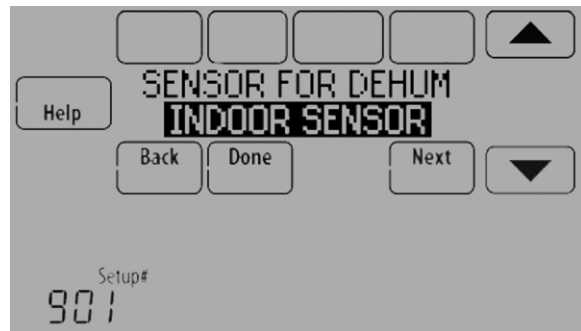


Fig. 195.

- If you are sensing humidity from two separate locations (one for humidification and another for dehumidification), you can select which humidity reading to display on the home screen. See “Wireless Indoor Sensor” beginning on page 113 for more information.



Fig. 196.

- Select the terminals wired to the Whole House Dehumidifier. See Fig. 197.

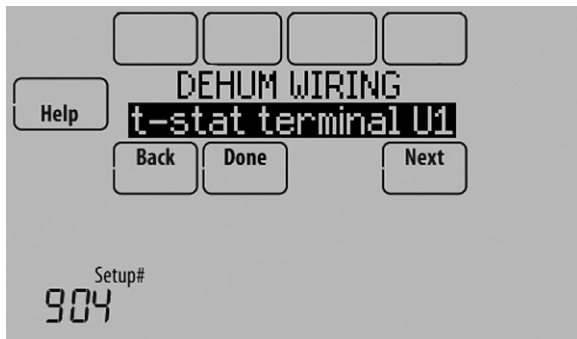


Fig. 197.

- Select the system mode(s) to allow dehumidification. See Fig. 198.

**NOTE:** **Heat** includes Heat, Emergency Heat and Auto. If the system is in Auto mode, the thermostat will allow dehumidification if the last call was for heat.

**Cool** includes Cool and Auto. If the system is in Auto mode, the thermostat will allow dehumidification if the last call was for cool.

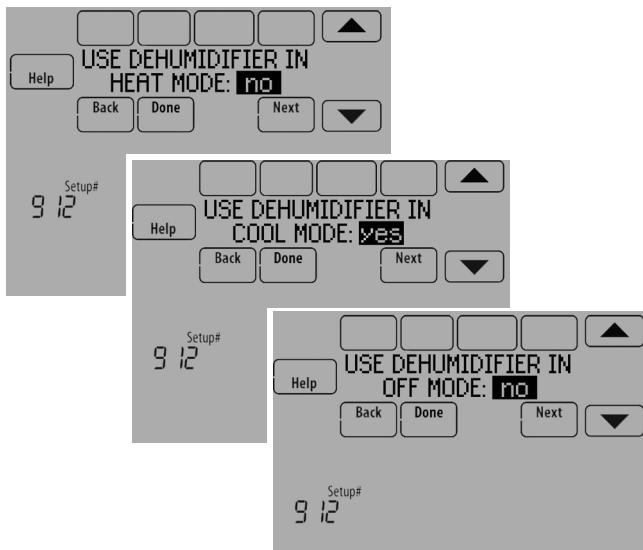


Fig. 198.

- Set Dehumidifier Fan Control settings. See Fig. 199.
  - Tstat Controls Fan**  
Thermostat turns on the dehumidifier and the fan when dehumidification is needed.
  - Equip Controls Fan**  
Thermostat turns on the dehumidifier when dehumidification is needed. The fan is controlled by the equipment.



Fig. 199.

- Set the desired lockout option. See Fig. 200.



Fig. 200.

**NOTE:** ISU 1014 gives the option to lockout ventilation during calls for dehumidification. This helps maintain the desired humidity level.

### Dehumidification Away Mode

Dehumidification Away Mode protects the home when unoccupied for long periods of time during hot and humid weather by maintaining the desired humidity and temperature settings.

To start Dehumidification Away Mode, press MENU, then select Dehum Away Mode.



Fig. 201.

The thermostat automatically follows settings that are set by the dealer during installer setup.

Press Cancel to end Dehumidification Away Mode.

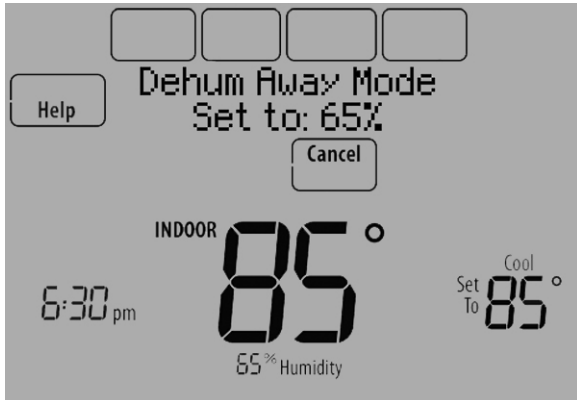


Fig. 202.

### Set up Dehumidification Away Mode

1. Select Allowed at ISU 918. See Fig. 203.



Fig. 203.

2. Set Fan Control settings. See Fig. 204.
  - On: Fan is always on.
  - Automatic: Fan runs only when cooling system is on.
  - Circulate: Fan runs randomly, about 35% of the time.

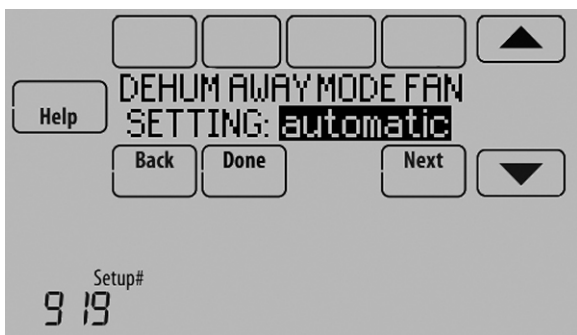


Fig. 204.

3. Set temperature and dehumidification settings. See Fig. 205.

- **Low Limit Temperature Setting**  
If the cooling system is used to control humidity while Dehumidification Away Mode is active, the thermostat allows the cooling system to lower the indoor air to the Low Limit Temperature Setting to reach the Dehumidification Setting at ISU 920.
- **Temperature Setting**  
The temperature maintained while Dehumidification Away Mode is active and the desired humidity level is satisfied.
- **Dehumidification Setting**  
The desired humidity level while Dehumidification Away Mode is active.



Fig. 205.

## Control Dehumidification Level

1. Touch MENU and select Dehumidification.

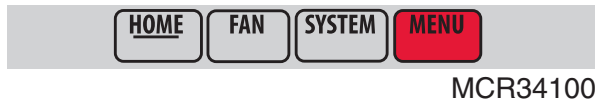


Fig. 206.

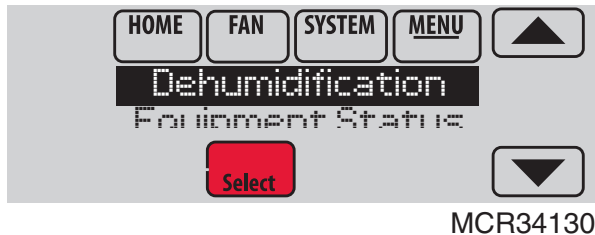


Fig. 207.

2. Select Auto.

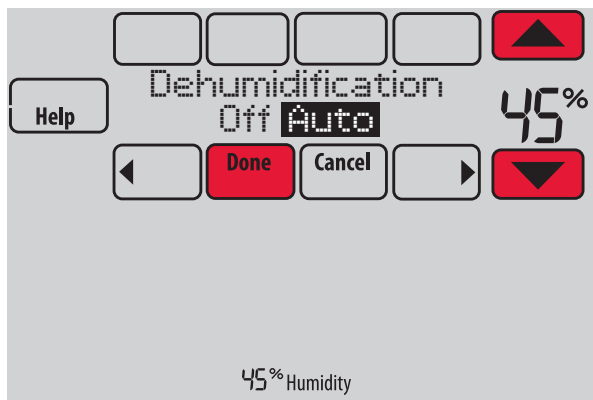


Fig. 208.

3. Touch ▲ or ▼ to select humidity level.
4. Touch Done to save your settings. Touch Cancel to ignore changes.

**NOTE:** If your air conditioner is used to control humidity, the temperature may drop up to 3° F below your temperature setting until humidity reaches the desired level.

**NOTE:** If humidification and dehumidification are setup to operate in the same system mode (Heat, Cool, Off) and you are sensing humidity from one location, the thermostat will automatically enforce a 15% deadband between the humidification and dehumidification settings. The thermostat will automatically switch between humidification and dehumidification to maintain the desired humidity level.

If humidification and dehumidification are setup to operate in the same system mode (Heat, Cool, Off) and you are sensing humidity from two different locations using a remote wireless indoor sensor (for example, main level and crawl space), the thermostat will allow humidification and dehumidification to operate at the same time, and there is no deadband between humidification and dehumidification settings.

## Dehumidification - Commercial

The thermostat reads the indoor humidity level and allows the user to set a dehumidification setting. The thermostat controls the humidity level using the cooling system or a dehumidifier.

If humidification and dehumidification are setup to operate in the same system mode (Heat, Cool, Off) and you are sensing humidity from one location, the thermostat will automatically enforce a 15% deadband between the humidification and dehumidification settings. The thermostat will automatically switch between humidification and dehumidification to maintain the desired humidity level.

If humidification and dehumidification are setup to operate in the same system mode (Heat, Cool, Off) and you are sensing humidity from two different locations using a remote wireless indoor sensor (for example, main level and crawl space), the thermostat will allow humidification and dehumidification to operate at the same time, and there is no deadband between humidification and dehumidification settings.

Dehumidification Equipment Options: (ISU 900)

- A/C with Low Fan
- A/C with High Fan
- Hot Gas Bypass
- Dehumidifier

**NOTE:** Hot Gas Bypass - During a call for dehumidification, the cooling capacity will be used to remove more latent heat than sensible heat. The operation of Hot Gas Bypass varies by equipment. For more details, contact the equipment manufacturer.

## Dehumidification using the Cooling System

Dehumidification using A/C with Low Speed Fan, A/C with High Speed Fan or Hot Gas Bypass, has the following methods of dehumidification control (ISU 908):



Fig. 209.

**Basic (ISU 908):** This option uses the cooling system to reach the desired humidity level. Minimum On Time, Cooling Droop and Reheat are not used with this method. This setting is commonly used if your dehumidification equipment is Hot Gas Bypass.

**Minimum On Time (ISU 908 and 909):** This option ensures that the compressor runs long enough to effectively reduce humidity when the cooling equipment is cycled on. The compressor will run for the minimum "on time" you set until the desired humidity level is reached.

**Cooling Droop (ISU 908 and 910):** This option uses the cooling system to lower the temperature up to 5° F below the current cool setpoint until the desired humidity is reached. The Dehum Over Cooling Limit range is from 1° to 5° F.

**Cooling Droop with Minimum On Time (ISU 908, 909, and 910):** This method uses both options above to reduce humidity while maintaining a comfortable temperature.

**Reheat (ISU 908):** This option allows heating to run during dehumidification to help maintain a comfortable temperature. If only cooling stage 1 is used, during the “off” cycle, both cooling and heating run at the same time as needed to dehumidify without overcooling. This option cannot be used in the Heat mode. This option is effective only if using a system with the A-Coil located before the heating coil (heat exchanger). This feature requires a conventional forced air heating system (gas, oil, or electric) in the application.

**NOTE: Reheat can be used on heat pump applications that have a forced air backup heat source (gas, oil, or electric). The thermostat will turn on the first stage of forced air backup heat during Reheat.**

**NOTE: Reheat can be used on systems where the A-Coil is located after the heating coil (heat exchanger), but it is not effective at removing humidity.**

**Reheat with Minimum On Time (ISU 908 and 909):** This method uses both Reheat and Minimum On Time options above to reach the desired humidity level.

If set for A/C with Low Speed Fan, configure U1, U2, or U3 as normally open or normally closed (ISU 905) and wire to the Low Speed Fan terminal on the equipment. For example, if the U1, U2, or U3 terminal is normally closed, it will open when the thermostat calls for dehumidification. See “Wiring IAQ Equipment or a Heat/Cool Stage to the Universal Terminals” beginning on page 129.

**NOTE: The thermostat will not lower the fan speed when the second stage of cooling is on.**

## Set up Dehumidification With Cooling System

Some screens shown in this section may not appear on the thermostat, depending on how you set up dehumidification.

1. Select the Dehumidification Equipment in ISU 900. See Fig. 210.

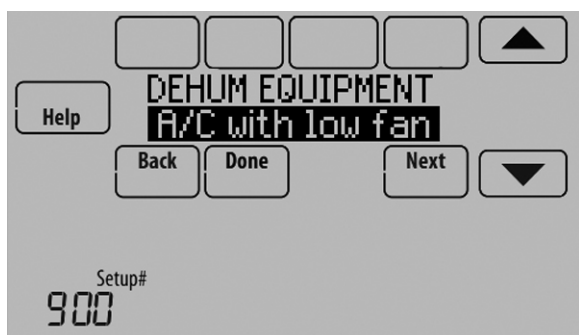


Fig. 210.

2. If optional remote wireless indoor sensors are installed, you can choose which sensor you want to use for dehumidification control. For example, you can use one sensor for humidification control, and another for dehumidification. See “Wireless Indoor Sensor” beginning on page 113 for more information.

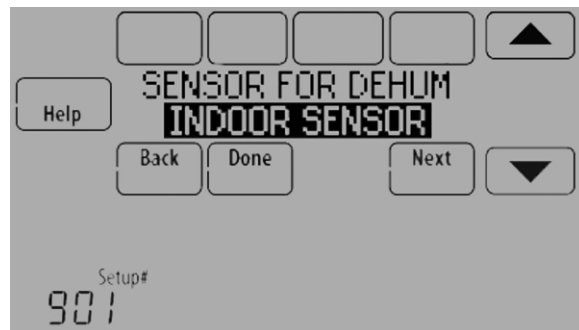


Fig. 211.

3. If you are sensing humidity from two separate locations (one for humidification and another for dehumidification), you can select which humidity reading to display on the home screen. See “Wireless Indoor Sensor” beginning on page 113 for more information.



Fig. 212.

4. Select the terminals wired to the A/C with Low Speed Fan or Hot Gas Bypass. See Fig. 213.

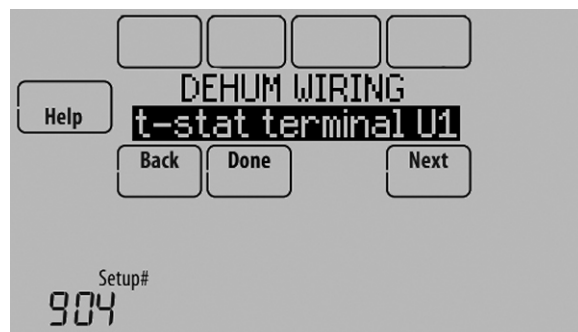


Fig. 213.

5. Select whether the U1, U2, or U3 terminals are Normally Open or Normally Closed. See Fig. 214.
  - **Normally Open** – contacts are normally open and will close during a call for dehumidification
  - **Normally Closed** – contacts are normally closed and will open during a call for dehumidification.



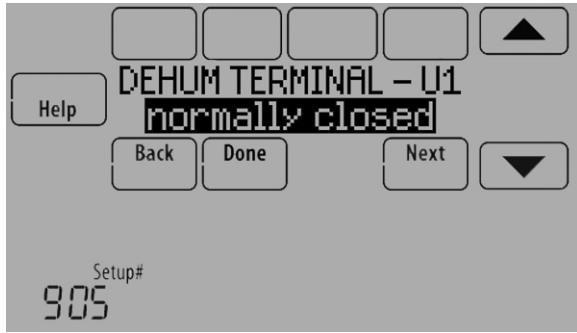


Fig. 214.

- Set the Dehumidification Control. See Fig. 215. For more information about these options, see “Dehumidification using the Cooling System” on page 87.



Fig. 215.

NOTE: ISU 1014 gives the option to lockout ventilation on calls for dehumidification. This helps maintain the desired humidity level.

### Dehumidification using a Dehumidifier

The Dehumidifier option requires a dedicated unit for dehumidification. The thermostat can be set to control dehumidification in all modes (Heat, Off, Cool [ISU 912]).

### Set up Dehumidification With Dehumidifier

Some screens shown in this section may not appear on the thermostat, depending on how you set up dehumidification.

- Select the Dehumidification Equipment in ISU 900. See Fig. 216.



Fig. 216.

- If optional remote wireless indoor sensors are installed, you can choose which sensor you want to use for dehumidification control. For example, you can use one sensor for humidification control, and another for dehumidification. See “Wireless Indoor Sensor” beginning on page 113 for more information.

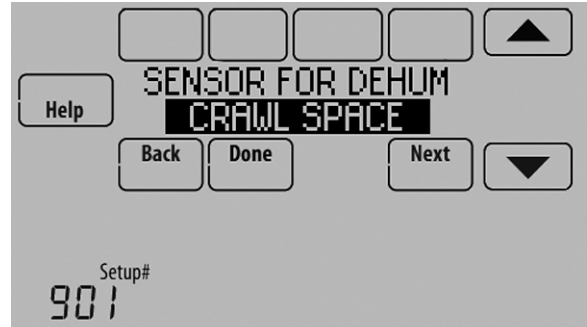


Fig. 217.

- If you are sensing humidity from two separate locations (one for humidification and another for dehumidification), you can select which humidity reading to display on the home screen. See “Wireless Indoor Sensor” beginning on page 113 for more information.



Fig. 218.

- Select the terminals wired to the Dehumidifier. See Fig. 219.

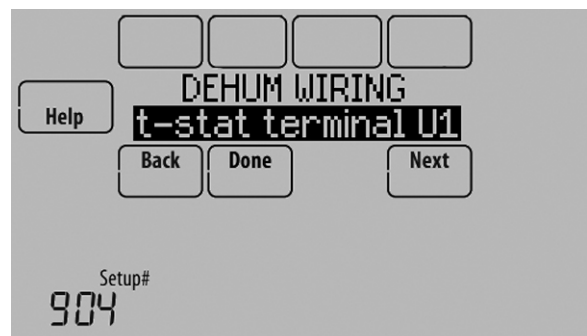


Fig. 219.

- Select the system mode(s) to allow dehumidification. See Fig. 220.

**NOTE:** **Heat** includes Heat, Emergency Heat and Auto. If the system is in Auto mode, the thermostat will allow dehumidification if the last call was for heat.  
**Cool** includes Cool and Auto. If the system is in Auto mode, the thermostat will allow dehumidification if the last call was for cool.

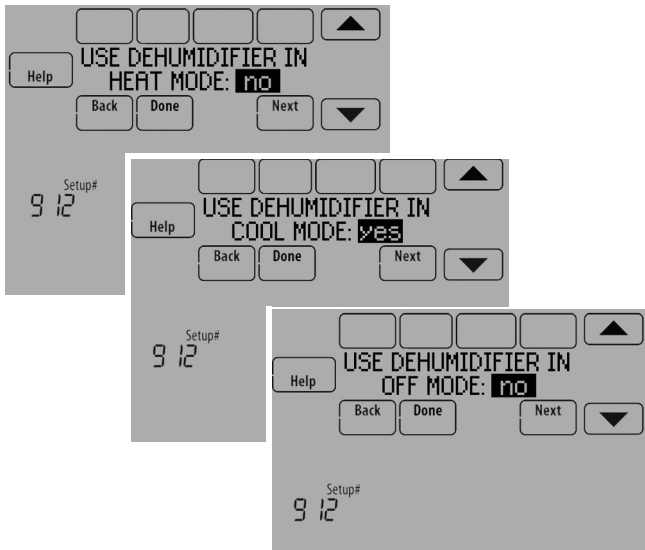


Fig. 220.

- Set Dehumidifier Fan Control settings. See Fig. 221.
  - Tstat Controls Fan**  
Thermostat turns on the dehumidifier and the fan when dehumidification is needed.
  - Equip Controls Fan**  
Thermostat turns on the dehumidifier when dehumidification is needed. The fan is controlled by the equipment.



Fig. 221.

- Set the desired lockout option. See Fig. 222.



Fig. 222.

**NOTE:** ISU 1014 gives the option to lockout ventilation on calls for dehumidification. This helps maintain the desired humidity level.

### Dehumidification Away Mode

Dehumidification Away Mode for a commercial application is identical to Dehumidification Away Mode for a residential application. See “Dehumidification Away Mode” on page 85 and “Set up Dehumidification Away Mode” beginning on page 86.

### Control Dehumidification Level

- Touch MENU and select Dehumidification.



Fig. 223.

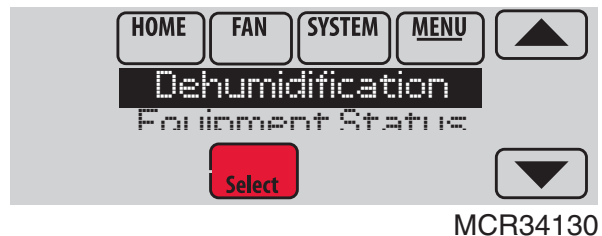
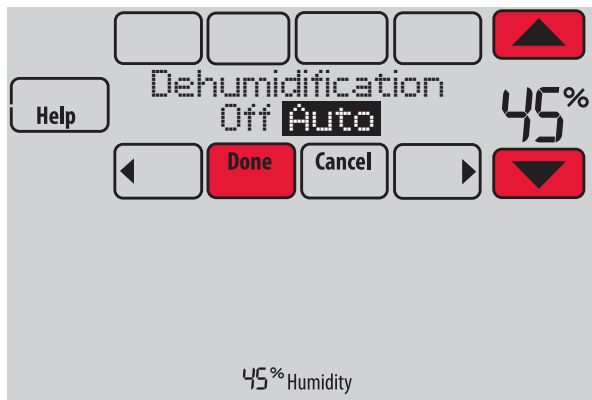


Fig. 224.

## 2. Select Auto.



MCR34131

Fig. 225.

3. Touch ▲ or ▼ to select humidity level.
4. Touch Done to save your settings. Touch Cancel to ignore changes.

If your air conditioner is used to control humidity, the thermostat may use the following methods to maintain humidity:

- Cool from 1° to 5° F lower than your temperature setting.
- Run cooling for the minimum “on” time to reduce humidity.
- Run cooling and heating at the same time to reduce humidity without lowering the temperature.

**NOTE:** If humidification and dehumidification are setup to operate in the same system mode (Heat, Cool, Off) and you are sensing humidity from one location, the thermostat will automatically enforce a 15% deadband between the humidification and dehumidification settings. The thermostat will automatically switch between humidification and dehumidification to maintain the desired humidity level.

If humidification and dehumidification are setup to operate in the same system mode (Heat, Cool, Off) and you are sensing humidity from two different locations using a remote wireless indoor sensor (for example, main level and crawl space), the thermostat will allow humidification and dehumidification to operate at the same time, and there is no deadband between humidification and dehumidification settings.

## Ventilation

The thermostat can be set for the following ventilation types: (ISU 1000)

- ERV/HRV
- Passive (Fan Only)
- Fresh Air Damper

### Ventilation Control Methods (ISU 1005)

Ventilation can be setup to meet either ASHRAE or Percent On Time settings. To meet these settings, the thermostat will ventilate during calls for heat, cool, and fan. If the required ventilation has not been achieved for ASHRAE or Percent On Time, the thermostat will force the ventilation equipment on.

- **ASHRAE**

The thermostat operates ventilation equipment to meet the ASHRAE 62.2 ventilation standard based on CFM, number of bedrooms, and square footage of the house. ASHRAE 62.2 can only be met if the ventilation equipment is running. If the ventilation equipment is off for any reason (outdoor ventilation lockouts, set up to turn Off during Sleep period, turned off by user, etc.), ASHRAE 62.2 is not met during those times. See ISU 1012 to select a Ventilation Priority.

- **Percent On Time**

The thermostat operates ventilation equipment based on a percentage entered in the installer setup (ISU 1012). For example if Percent On Time is set to 50%, the ventilation equipment will run at random times during a 1 hour period until it reaches a 50% run time (approximately 30 minutes). Default setting is 30%. Range is 10% to 100% in 10% increments.

### Ventilation Fan Control (ISU 1006)

- **Tstat Controls Fan**

The thermostat turns on the ventilator and the fan when ventilation is needed.

- **Equip Controls Fan**

The thermostat turns on the ventilator when ventilation is needed. The fan is controlled by the equipment.

### Ventilation Priority (ISU 1012)

- **Lockouts are Priority**

The thermostat places a priority on lockouts versus the ASHRAE 62.2 ventilation standard. The thermostat will not run ventilation during the following lockout conditions (if configured) unless you manually call for ventilation:

- Lockout Ventilation during Outdoor Conditions (ISU 1013)
- Lockout Ventilation on Humidification or Dehumidification Calls (ISU 1014)
- Lockout Ventilation during “Sleep” (Residential) or “Unoccupied” (Commercial) program periods. Note: This option is set by the user on the Ventilation screen in the Menu.

- **ASHRAE is Priority**

ASHRAE requires additional ventilation following a long off cycle. The thermostat meets the ASHRAE 62.2 ventilation standard by running additional ventilation when outdoor conditions are favorable. If ASHRAE cannot be met when outdoor conditions are favorable, the thermostat will override the outdoor lockouts and run ventilation. When using this option, it is recommended to increase the rate (CFM) of the ventilation equipment to meet the ASHRAE 62.2 ventilation standard in a shorter run time.

NOTES: ISU 1014 Lockout Ventilation on Humidification or Dehumidification Calls is not an option when you select ASHRAE is Priority.

The ability to lockout ventilation during the “Sleep” or “Unoccupied” program periods is not an option when you select ASHRAE is Priority.

### Ventilation — Outdoor Condition Lockouts (ISU 1013)

Ventilation will not operate when outdoor conditions exceed the lockout settings unless you manually call for ventilation or Ventilation Priority (ISU 1012) is set to **ASHRAE is Priority**

and ventilation is needed to meet ASHRAE. Lockouts can prevent ventilation during extreme weather conditions to keep humid, hot, and cold air out of the home.

**NOTE: This feature requires an outdoor sensor.**

If the outdoor sensor also measures humidity, ventilation will not be allowed when the outdoor dewpoint is above the level you set. Options are:

- Ventilation Low Temperature Lockout Setpoint (Off, -20° to 40° F)
- Ventilation High Temperature Lockout Setpoint (Off, 80° to 110° F)
- Ventilation High Dewpoint Lockout Setpoint (Off, 65° to 85° F)

Refer to the information below if you need assistance setting the High Dewpoint Lockout.

- Higher than 80: Extremely uncomfortable
- 75 to 80: Very uncomfortable
- 70 to 74: Quite uncomfortable
- 65 to 69: Somewhat uncomfortable

### Ventilate on High Indoor Humidity (ISU 1016)

If set to ventilate on high indoor humidity, the ventilator turns on to remove excess humidity if the indoor humidity is 10% above the Humidification setting. The thermostat must be in the heat mode to ventilate on high indoor humidity.

### Set up Ventilation

Some screens shown in this section may not appear on the thermostat, depending on how you set up ventilation.

1. Select the Ventilation Type in ISU 1000. See Fig. 226.



Fig. 226.

2. Select the terminals wired to the Ventilator (or Fresh Air Damper). See Fig. 227.



Fig. 227.

3. Select the Ventilation Control Method. See “Ventilation Control Methods (ISU 1005)” on page 91 for more information. See Fig. 228.



Fig. 228.

4. Select the Ventilation Fan Control. See “Ventilation Fan Control (ISU 1006)” on page 91 for more information. See Fig. 229.

**NOTE:** ISU 1006 is only displayed if the Ventilation Type is ERV / HRV. The thermostat controls the fan if the Ventilation Type is Fresh Air Damper.



Fig. 229.

5. If ASHRAE was selected for ISU 1005, select the Number of Bedrooms and Size of House. See Fig. 230.

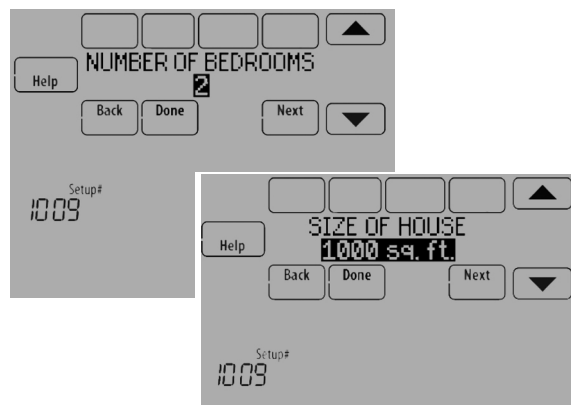


Fig. 230.

6. If ASHRAE was selected for ISU 1005, enter the Equipment Ventilation Rate (CFM). Be sure this setting corresponds with the actual ventilation speed. This setting determines how often the ventilation equipment will operate to meet the ASHRAE 62.2 Standard. The thermostat

will indicate the following based on the Equipment Ventilation Rate, Square Footage and Number of Bedrooms. See Fig. 231.

- Provides an indication if it meets or does not meet the ASHRAE 62.2 Standard.
- Provides % run time that is needed to meet the ASHRAE 62.2 Standard.

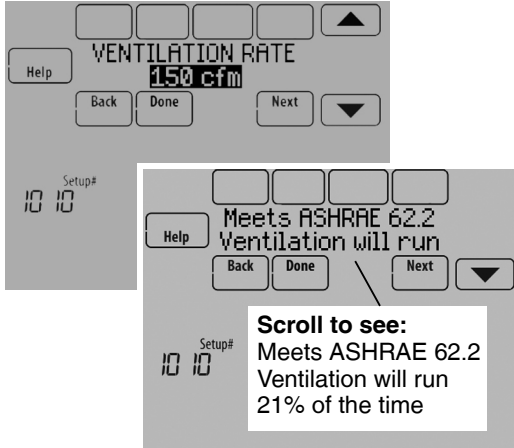


Fig. 231.

7. Select a Ventilation Priority (see Fig. 232):
  - c. **Lockouts are Priority:** The thermostat places a priority on lockouts versus the ASHRAE 62.2 ventilation standard. The thermostat will not run ventilation during the following lockout conditions (if configured) unless you manually call for ventilation:
    - (1) Lockout Ventilation during Outdoor Conditions (ISU 1013)
    - (2) Lockout Ventilation on Humidification or Dehumidification Calls (ISU 1014)
    - (3) Lockout Ventilation during “Sleep” (Residential) or “Unoccupied” (Commercial) program periods.  
 Note: This option is set by the user on the Ventilation screen in the Menu.
  - d. **ASHRAE is Priority:** ASHRAE requires additional ventilation following a long off cycle. The thermostat meets the ASHRAE 62.2 ventilation standard by running additional ventilation when outdoor conditions are favorable. If ASHRAE cannot be met when outdoor conditions are favorable, the thermostat will override the outdoor lockouts and run ventilation.

When using this option, it is recommended to increase the rate (CFM) of the ventilation equipment to meet the ASHRAE 62.2 ventilation standard in a shorter run time.

NOTE: ISU 1014 Lockout Ventilation on Humidification or Dehumidification Calls is not an option when you select ASHRAE is Priority.

The ability to lockout ventilation during the “Sleep” or “Unoccupied” program periods is not an option when you select ASHRAE is Priority.

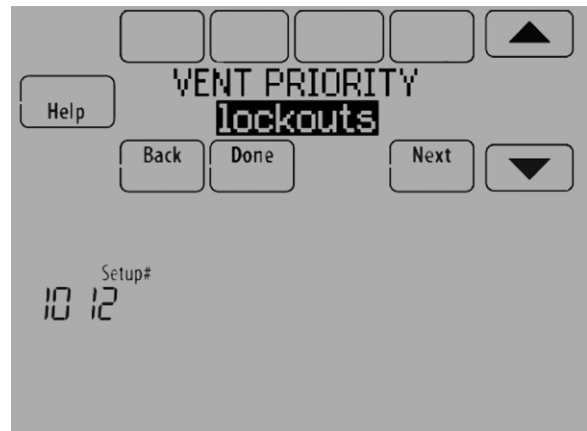


Fig. 232.

- If Percent On Time was selected for ISU 1005, select the Ventilation Percent on Time. See Fig. 233.

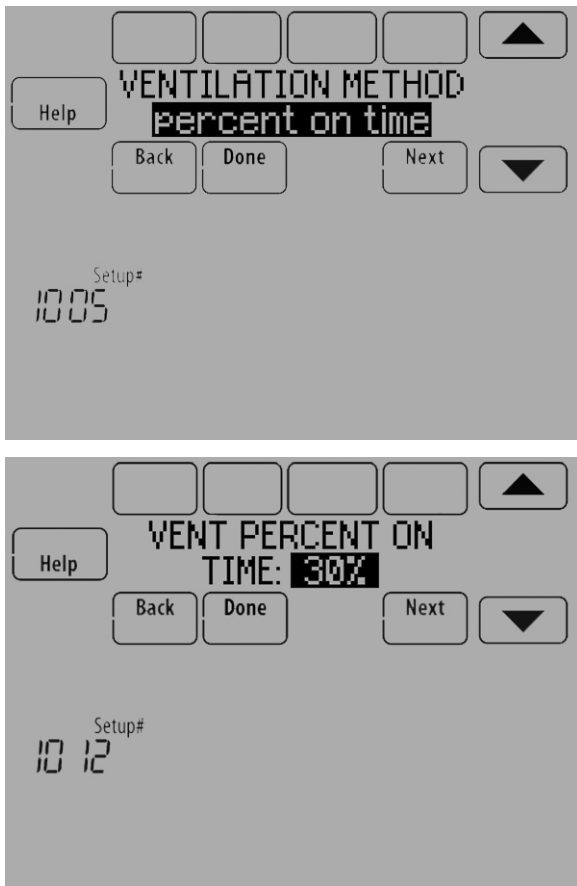


Fig. 233.

- Select the Outdoor Condition Lockouts. See Fig. 234. See "Ventilation — Outdoor Condition Lockouts (ISU 1013)" on page 91 for more information.

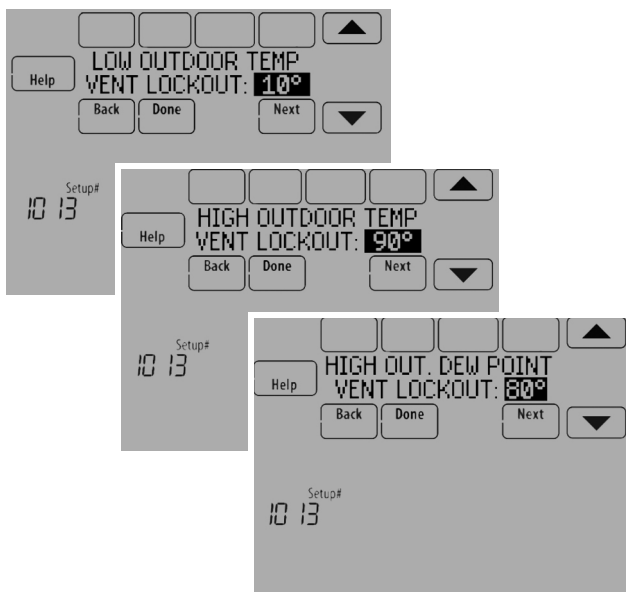


Fig. 234.

When ISU 1012 Ventilation Priority is set to Lockouts are Priority, or ISU 1005 Ventilation Control Methods is set to Percent On Time, the thermostat will indicate whether this meets or may not meet the ASHRAE 62.2 Standard or the Percent On Time setting. See Fig. 235.

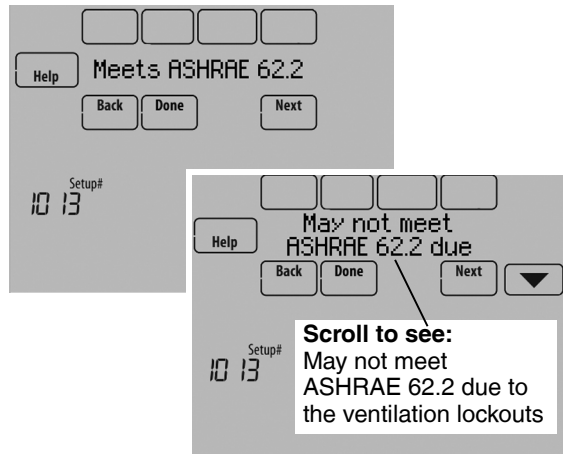


Fig. 235.

When ISU 1012 Ventilation Priority is set to ASHRAE is Priority, the screen below will indicate the maximum length of time that ventilation can be locked out over a 21 hour time period. For example, Ventilation Lockout Will Not Exceed 12.5 hours. The length of time that ventilation is locked out is limited to ensure that the ASHRAE 62.2 Ventilation Standard is met. See Fig. 236.

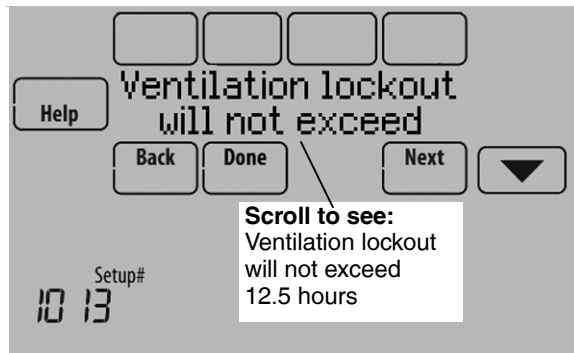


Fig. 236.

- Select whether to lockout ventilation on humidification or dehumidification calls. This feature is used to help reach the user's desired humidity level by not allowing the ventilation equipment to run during a call for humidification

or dehumidification. The thermostat will indicate whether this meets or may not meet the ASHRAE 62.2 Standard or the Percent On Time setting. See Fig. 237.

NOTE: ISU 1014 Lockout Ventilation on Humidification or Dehumidification Calls is not an option when you select ASHRAE is Priority at ISU 1012.

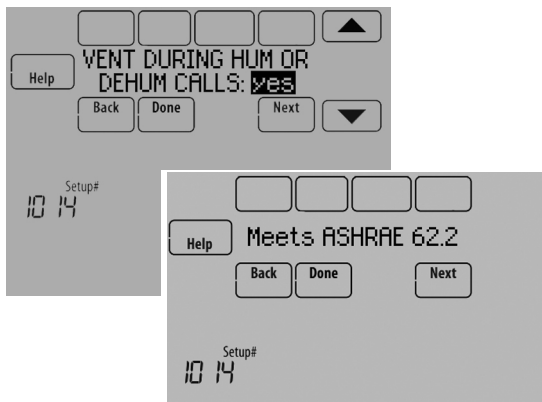


Fig. 237.

11. Select whether to Ventilate on High Indoor Humidity. See “Ventilate on High Indoor Humidity (ISU 1016)” on page 92 for more information. See Fig. 238.



Fig. 238.

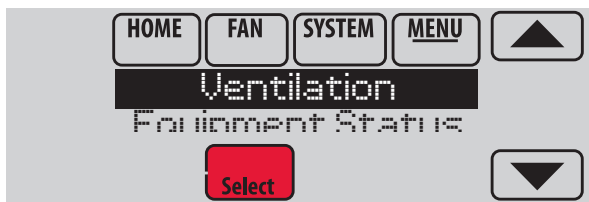
### Control Ventilation Level

1. Touch MENU, and select Ventilation.



MCR34100

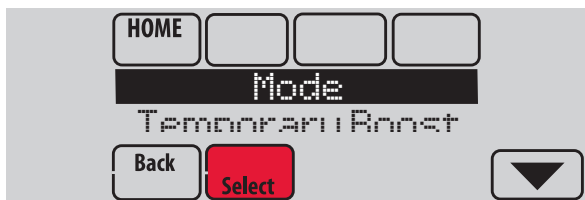
Fig. 239.



MCR34132

Fig. 240.

2. Select Mode, Temporary Boost, or Lockout, then select appropriate options.



MCR34133

Fig. 241.

3. Touch Done to save your settings. Touch Cancel to ignore changes.



MCR34134

Fig. 242.

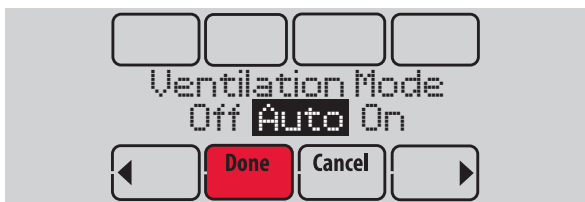
### Ventilation Options

#### Mode:

**Auto:** Ventilation runs as programmed by the installer.

**Off:** Ventilation remains off unless turned on using the timer.

**On:** Ventilation is always on.



MCR34135

Fig. 243.

**Temporary Boost:** Touch ▲ or ▼ to select how long to run ventilation temporarily. To turn it off, set it to zero.



MCR34136

Fig. 244.

**Lockout:** Touch ▲ or ▼ to select Yes or No, then touch Next. Select Yes to prevent ventilation from running during the Sleep or Unoccupied (commercial) program periods or when outdoor conditions exceed values set by the installer.

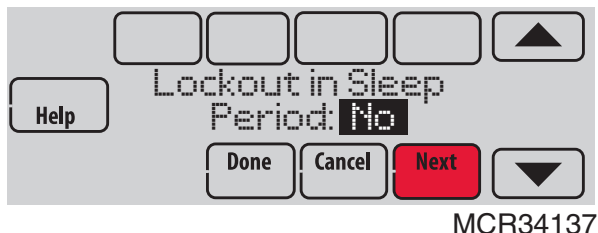


Fig. 245.

**NOTE:** If set up for humidification in heat mode, the ventilator will turn on to remove excess humidity if 10% or more above your humidity setting.

## IAQ REMINDERS

You can set up IAQ reminders in the thermostat to remind users when filters, pads, bulbs, etc. need cleaning or replacement. The following reminders can be set:

- Air Filter 1
- Air Filter 2
- Humidifier Pad
- Humidifier Clean Tank / Water Filter
- Dehumidifier Filter
- Ventilator Core
- Ventilator Filter
- Electronic Air Cleaner Pre-Filter
- Electronic Air Cleaner Cells
- Electronic Air Cleaner Post-Filter
- UV Bulb 1
- UV Bulb 2

Reminders that are displayed under Preferences will change based on the IAQ equipment installed. Reminders for equipment that is already set up can be set using the steps below. Reminders for IAQ equipment that is not yet set up must be turned on from the installer setup.

**NOTE:** Air Filter, Humidifier Pad, Dehumidifier Filter, and Ventilator Filter are displayed under Preferences even if they have not been set up. Humidifier Pad is not displayed if a steam humidifier has been installed.

Some screens shown in this section may be different from those on the thermostat, depending on how you set up IAQ equipment.

1. Press MENU, then scroll to select Preferences.
2. Press Reminders. Fig. 246 is displayed.



Fig. 246.

3. Select the reminder you want to set.
4. Press ▲ or ▼ to set the timer length. Ranges, increments, and units will change based on the reminder.

**NOTE:** When set for run time days, the thermostat tracks the amount of time the fan has run and compares that time against the number of run time days selected. Fan run time is counted when there is a call for forced air heating, cooling, or fan.



Fig. 247.

5. Press Done to save the reminder.
6. Press Reset Timer when you have completed the recommended maintenance or you can extend the timer setting to turn off the alert and remind you later to do the recommended maintenance.
7. Repeat these steps for all reminders you want to set.

## CUSTOMIZABLE REMINDERS

The thermostat can be set to alert the user when it is time for system maintenance or warranty renewal. You can set up to 10 total Custom Reminders on the thermostat and save them to a microSD card for easy download to multiple thermostats.

### Custom Reminders include:

- **Service Reminder**
  - Set up for recurring or one time only.
- **Spring Service Reminder**
  - Provide an alert based on date or outdoor temperature.
- **Fall Service Reminder**
  - Provide an alert based on date or outdoor temperature.
- **Warranty Reminder**
  - Set up for recurring or one time only.
- **New Custom Reminder**
  - Enter new reminders or advertisements
  - Set up for recurring or one time only.



You can change or create custom reminders in ISU 1200.



Fig. 248.

For example, to set up a Fall Service Reminder based on Outdoor Temperature:

1. Touch **Press HERE to edit** (see Fig. 248).
2. Select Fall Reminder and press Next.



Fig. 249.

3. Press up or down arrows until "Based on Out. Temp" is displayed, then press Next.

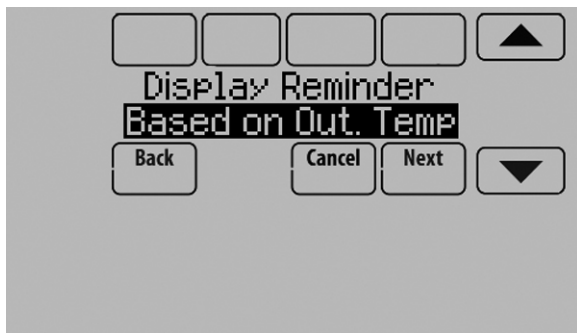


Fig. 250.

4. Press the up or down arrows to set the outdoor temperature and press Next.

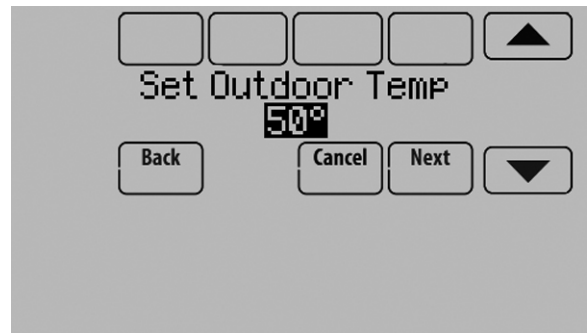


Fig. 251.

**NOTE: A seasonal maintenance reminder will appear when the outdoor temperature reaches the level you select, after a specified date.**

5. Press the up or down arrows to set the date to begin monitoring outdoor temperature. The thermostat will not display a reminder unless the temperature you set is reached after the date you set at this screen.

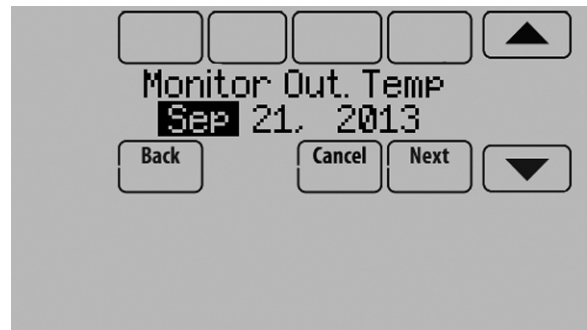


Fig. 252.

6. The preview of the Fall Service Reminder shows you what you've selected. Press Done when finished.

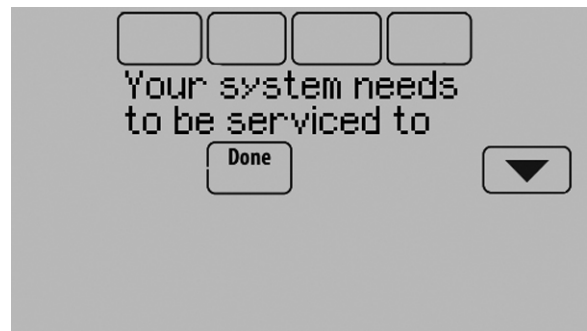


Fig. 253.

- When the user touches **Press HERE for info** on the Home Screen, the reminder message will be displayed.



Fig. 254.

- Pressing Select displays options for addressing the Fall Service Reminder message:
  - View More Info
  - Remind Me Later
  - Dismiss
  - View Dealer Info



Fig. 255.

- Selecting View More Info displays the Fall Service Reminder message.

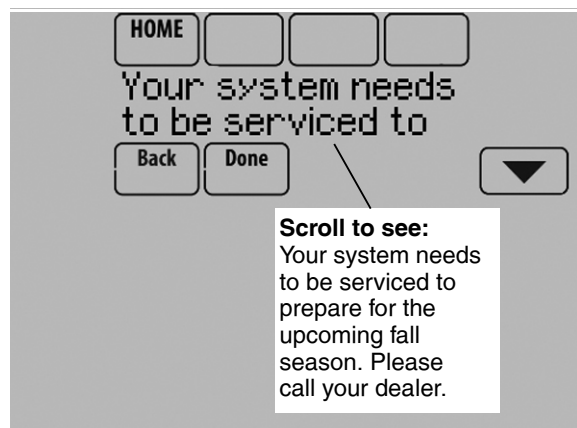


Fig. 256.

- To clear the Alert, (and turn off the Red Alert Light on the thermostat), select Dismiss.

To create a new custom reminder:

- Touch **Press HERE to edit** at ISU 1200 (see Fig. 248).
- Press up or down arrows until Custom Reminder is displayed, then press Next (Fig. 257).



Fig. 257.

- Touch **Press HERE to edit** to set the name of the reminder (Fig. 258).



Fig. 258.

- Use the arrows, Delete, and Space buttons to enter the name of the reminder, and press Done.

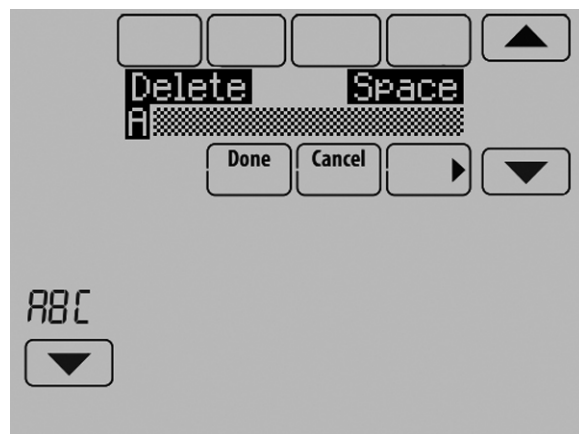


Fig. 259.

5. Touch **Press HERE to edit** to set the reminder message (see Fig. 260).



Fig. 260.

8. Select whether you want the reminder to appear only once or to be recurring, and press Next.



Fig. 263.

6. Use the arrows, Delete, and Space buttons to enter the reminder message, and press Done.

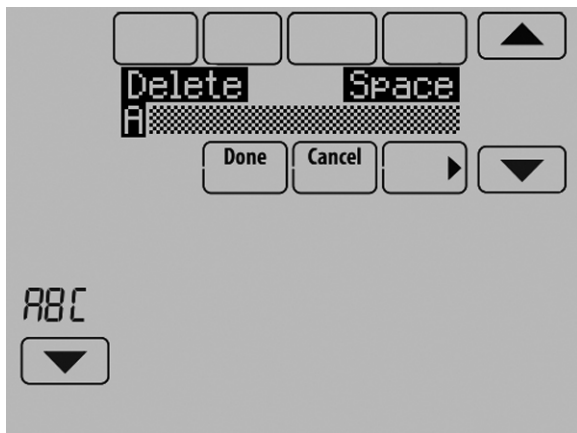


Fig. 261.

9. If Recurring, select how often you want the reminder to appear and press Next.



Fig. 264.

7. Press the up or down arrows to set the date when the New Custom Reminder should appear, and press Next.



Fig. 262.

10. The preview of the custom reminder shows you what you've selected. You can load Custom Reminders to a microSD card to transfer from one thermostat to another.
11. The New Custom Reminder will look like this on the Home Screen:

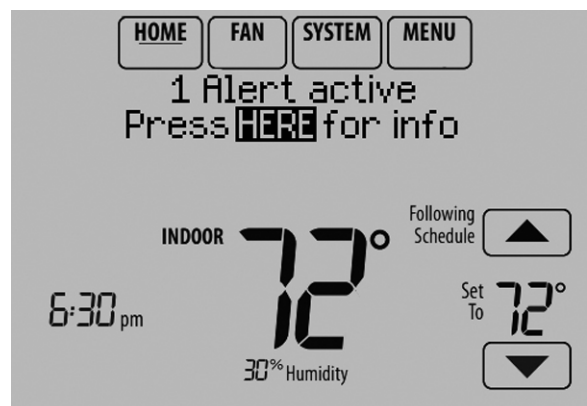


Fig. 265.

- When the user touches **Press HERE for info** on the Home Screen, the reminder message will be displayed:



Fig. 266.

- Pressing Select displays options for addressing the Custom Reminder message:
  - View More Info
  - Remind Me Later
  - Dismiss
  - View Dealer Info
- Selecting View More Info displays the Custom Reminder message.

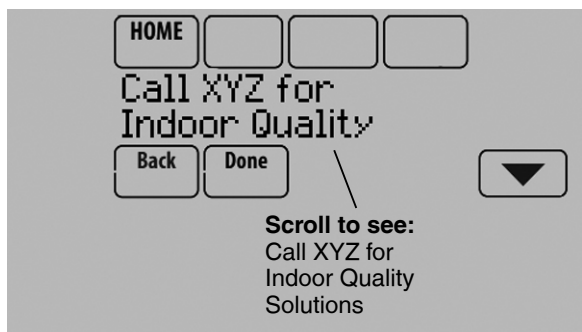


Fig. 267.

- To clear the Alert (and turn off the red alert light on the thermostat), select Dismiss.

## MICROSD CARD

Use a microSD (secure digital) card to save setup time by loading Installer Setup settings, Dealer Information, Holiday Schedules, and Custom Reminders to multiple thermostats.

The microSD card plugs into the thermostat. You will then need a USB adapter to plug the microSD card into your computer. These adapters are inexpensive and widely available at electronics retailers and online.

For troubleshooting help, you can save the thermostat Data Logs (Alerts Log and Interaction Log) to a microSD card - then view them on your computer. Also use the microSD card to upgrade the thermostat software.

Visit <http://thermostatsetup.honeywell.com> to enter your dealer information or load new thermostat software.

## Updating Thermostat Software

New thermostat software can be saved to a microSD card and then uploaded to the VisionPRO® thermostat using the microSD port.

- In a web browser on your computer, go to <http://thermostatsetup.honeywell.com>
- Connect a microSD card to a USB adapter. Then connect the USB adapter to your computer.

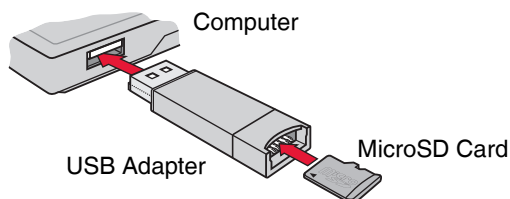


Fig. 268.

- Download the software upgrade file to the microSD USB adapter by clicking the indicated link on the web site.
- When the File Download box opens, click Save.
- When the Save As box opens, navigate to the directory of your USB device and save the file. For example, if your USB drive is letter "F", navigate to "My Computer" and then drive "F".
- After the file is saved, remove the microSD card from the adapter and connect it to the thermostat. Then select the "Software Update" option on the thermostat.

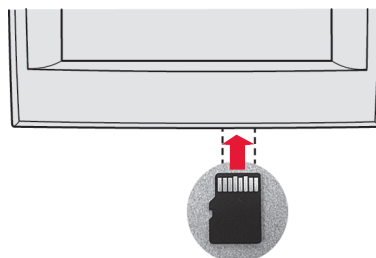


Fig. 269.

- See "To Use the microSD Card in the Thermostat" on page 101.

## Loading Dealer Information

VisionPRO thermostats can display the dealer's contact information on the screen, making it easy for users to contact them for post-sale support and service. After saving the dealer's contact information to a microSD card, the dealer can upload this information to the VisionPRO thermostat using the microSD port.

- In a web browser on your computer, go to <http://thermostatsetup.honeywell.com>
- Enter your dealer information into the text boxes provided on the web site.
- Connect a microSD card to a USB adapter. Then connect the USB adapter to your computer. See Fig. 268.
- Download the dealer information file to the microSD USB adapter by clicking the indicated link on the web site.
- When the File Download box opens, click Save.

6. When the Save As box opens, navigate to the directory of your USB device and save the file. For example, if your USB drive is letter "F," navigate to "My Computer" and then drive "F."
7. After the file is saved, remove the microSD card from the adapter and connect it to the thermostat. See Fig. 269. Then select the "Dealer Information" option on the thermostat.
8. See "To Use the microSD Card in the Thermostat" on page 101.

## To Use the microSD Card in the Thermostat

1. Slide card into the bottom of thermostat. See Fig. 269.
2. Select the item to load or save.

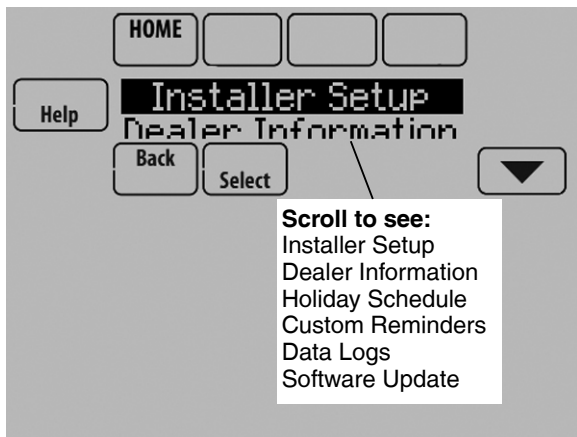


Fig. 270.

3. Follow the prompts on the screen.
  - To add information from the card to the thermostat, select Load from SD Card.
  - To put thermostat information on the card, select Save to SD Card.



Fig. 271.

4. When you are finished, touch Done, then Home, and remove the microSD card.

## COMMERCIAL FEATURES

The thermostat can be setup for residential or light commercial applications (ISU 101). When the thermostat is setup for commercial, the thermostat meets commercial code, Title 24 and provides the following features:

- Commercial language (occupied and unoccupied)
- Temporary override (permanent hold is not allowed)
- Temporary override duration is limited to the amount set by the installer
- Guide me through scheduling
- Adjustable ramp rates
- 365 holiday schedule
- Schedule up to 25 custom events
- Initiate occupancy
- Remote setback using an occupancy sensor
- Economizer or Time of Day output
- Pre-occupancy purge
- Additional dehumidification control options

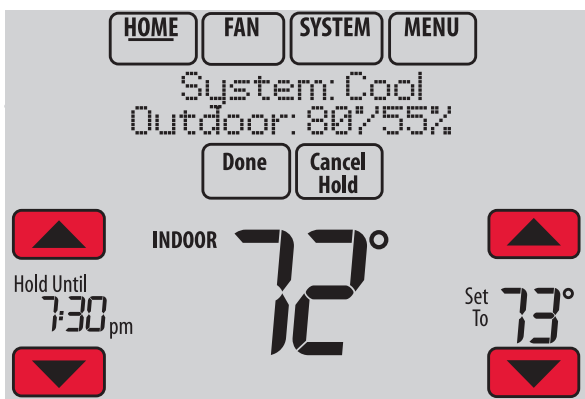


Fig. 272.

### Overriding Schedules: Commercial Use

Touch ▲ or ▼ to adjust the temperature. It will be maintained until the hold time you set.

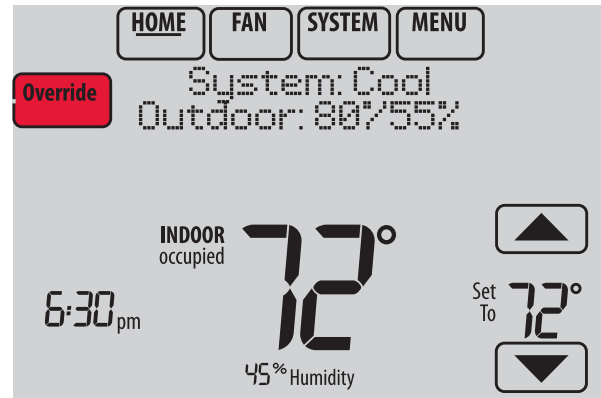
- To change the hold time, touch the Hold Until arrow buttons. This time can be adjusted up to the maximum time set by the installer.



MCR34169

Fig. 273.

- Touch Override to use a pre-set occupied temperature if a person uses the room during an unoccupied period. The new temperature will be maintained for 1 hour and can be adjusted up to the maximum time set by the installer.



MCR34106

Fig. 274.

The programmed schedule will resume when the override timer expires. Touch Cancel Hold at any time to resume the program schedule.

### Setting Holiday/Event Schedules: Commercial Use

This feature helps you conserve energy when the workplace is unoccupied for special events and holidays.

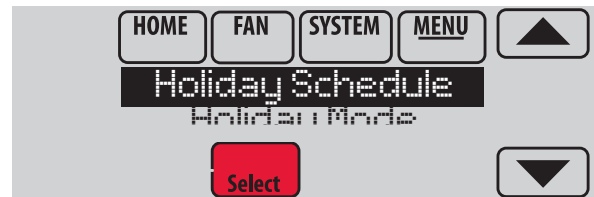
1. Touch MENU.



MCR34100

Fig. 275.

2. Select Holiday Schedule.



MCR34113

Fig. 276.

3. Select the item you want to schedule and touch Next for further scheduling details.

- US and Canadian Holiday options let you select from a list of holidays commonly observed in each country.
- Custom Events lets you set up other days for special schedules.



MCR34114

Fig. 277.

4. Make selections as prompted on each screen. For more information, see next two pages.
5. Touch Done to save your settings.

## Setting Custom Events: Commercial Use

This feature lets you customize temperature settings to be maintained during a specific event. You can set up an event for a specific date or day in a month. The thermostat resumes normal scheduling after the event. The thermostat can be scheduled for up to 25 Custom Events.

1. Select Custom Events from the Holiday Schedule menu.



MCR34114

Fig. 278.

2. Select Create New Event.



MCR34116

Fig. 279.

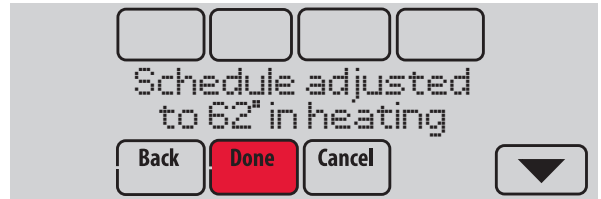
3. Select Specific Date or Month/Weekday.
  - For Specific Date, you are prompted to select the event's start date, settings, end date, and frequency.
  - For Month/Weekday, you are prompted to select the month, day of the week, week of the month, settings, length of event, and frequency for the event.



MCR34117

Fig. 280.

4. Review the settings and touch Done to save them. Touch Cancel to ignore the changes.



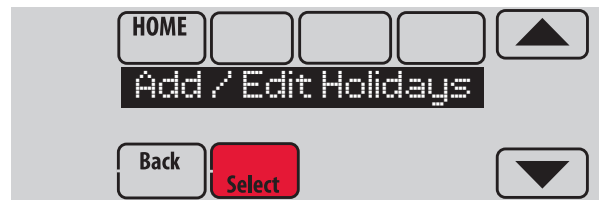
MCR34118

Fig. 281.

## Setting Holiday Schedule: Commercial Use

This feature lets you customize temperature settings to be maintained on specified national holidays. The thermostat resumes normal scheduling between selected holidays.

1. Select US Holidays or Canadian Holidays from the Holiday Schedule menu.
2. Select Add/Edit Holidays. A list of national holidays is displayed.

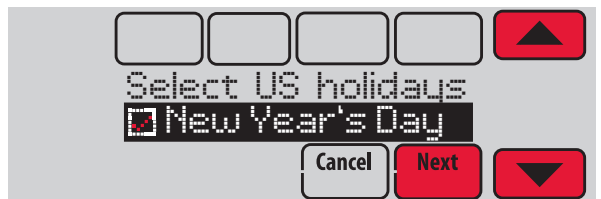


MCR34119

Fig. 282.

3. Touch the check box next to each holiday for which you want to maintain specific settings, (Touch ▲ or ▼ to scroll through the holiday list.) then touch Next.

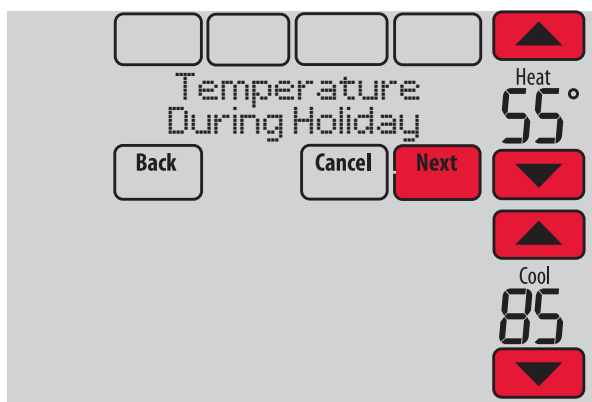
Set the holiday schedule for Occupied or Unoccupied temperatures, depending whether the building will be in use.



MCR34120

Fig. 283.

4. Touch ▲ or ▼ to select the Heat and Cool temperatures.



MCR34121

Fig. 284.

5. Review the settings and touch Done to save them. Touch Cancel to ignore changes.

### Setting Holiday Override: Commercial Use

This feature lets you customize temperature settings to be maintained from now until a specified date. The thermostat resumes normal scheduling on the date you select.

1. Touch MENU.



MCR34100

Fig. 285.

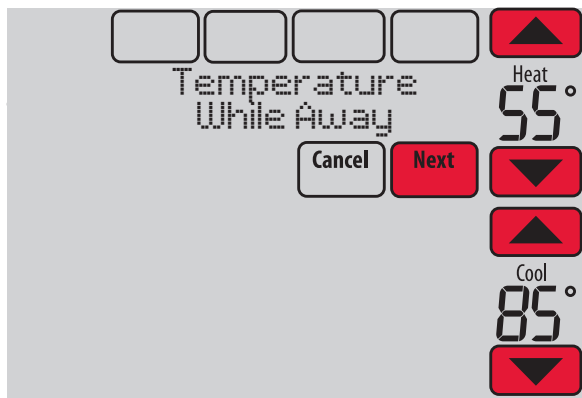
2. Select Holiday Mode to display Temperature While Away.



MCR34122

Fig. 286.

3. Touch ▲ or ▼ to select the Heat and Cool temperatures, then touch Next to select return date.



MCR34123

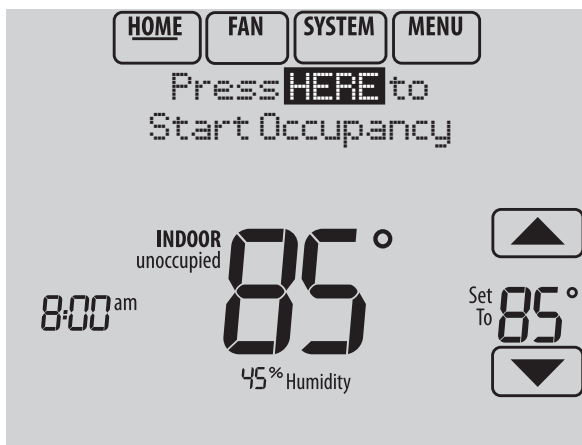
Fig. 287.

4. Review the settings and touch Done to save them. Touch Cancel to ignore the changes.

**NOTE:** The cool temperature can only be set higher than the unoccupied program setting and the heat temperature can only be set lower than the unoccupied program setting.

### Initiating Occupancy Mode: Commercial Use

This feature keeps temperature at an energy saving level until you touch **Press HERE to Start Occupancy**. When you arrive, touch the message to maintain a comfortable temperature while the room is occupied.



M34127

Fig. 288.

Touch the ▲ or ▼ buttons to set the temperature or the Hold Until time. The temperature is maintained until the time you set. Temperature returns to an energy-saving level after the timer expires, or the "Occupied" period ends.

**NOTE:** This feature is available only when programmed by the installer.



## Ramp Rates (Commercial Use)

When the ramp rate is set to Off, the thermostat begins recovery at the scheduled time.

When a ramp rate is set, recovery begins early to reach the setpoint by the program time. Based on your recovery ramp setting and how far the thermostat is set back, the thermostat determines how early to turn on the system.

If an outdoor sensor is installed, you can set outdoor temperatures for mild, cold and hot days in your region. By setting these outdoor temperatures, the thermostat will automatically adjust the ramp rate based on outdoor conditions. This allows the thermostat to save energy by starting recovery at the optimum time as outdoor conditions change.

**NOTE: The thermostat uses an adjustable ramp rate when the thermostat is setup for commercial. This allows the thermostat to recover on time during changing conditions (occupancy changes, temperature overrides, load conditions, opening/closing of doors etc) which are common in commercial applications.**

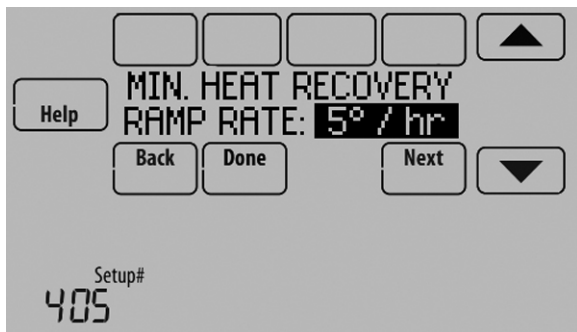


Fig. 289.

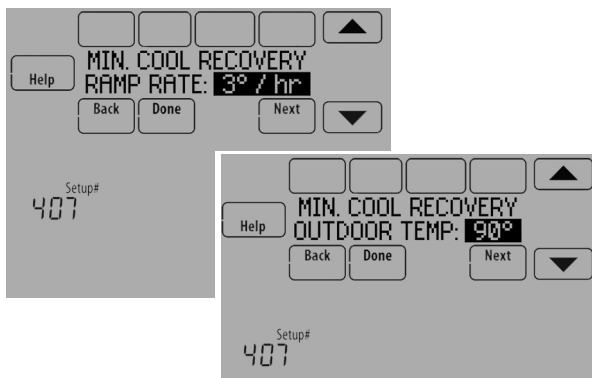


Fig. 290.

## Remote Setback (Commercial Use)

The thermostat allows you to do REMOTE SETBACK when set up for commercial use. This feature requires an occupancy sensor connected to the S1, S2, S3 or S4 terminals at the Equipment Interface Module.

During Occupied program periods, an occupancy sensor directs the thermostat to go to REMOTE SETBACK settings when the room is empty. If someone is in the room, it uses the Occupied program period settings. The thermostat ignores the occupancy sensor during Unoccupied program periods.

If the thermostat is set up to be non-programmable, the sensor directs the thermostat to go to REMOTE SETBACK settings when the room is empty. If someone is in the room, then it follows the settings set by the user.

Depending on how your thermostat was installed, it may delay for up to 30 minutes before switching to REMOTE SETBACK settings. This delay allows the room to stay comfortable if the room is unoccupied for only a short time.

### Set Up Remote Setback

1. Select "Remote Setback" as shown in Fig. 291.



Fig. 291.

2. Select the terminals wired to the Remote Setback Dry Contact device (occupancy sensor) and press Next.



Fig. 292.

3. Select Normally Open when Occupied or Normally Closed when Occupied based on the type of dry contact device installed.

**NOTE: Normally Open when Occupied:** The Dry Contact device is open when the room is occupied and will close when the room is unoccupied.

**Normally Closed when Occupied:** The Dry Contact device is closed when the room is occupied and will open when the room is unoccupied.

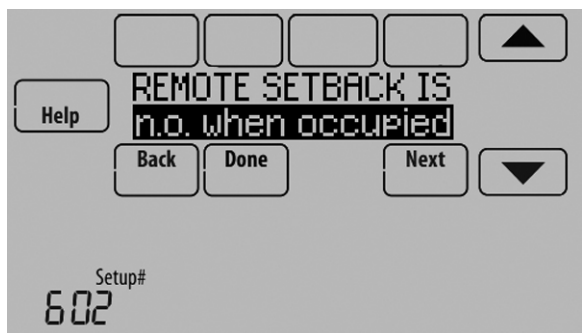


Fig. 293.

4. Select a Remote Setback Time Delay. The Remote Setback Time Delay forces the thermostat to wait before it switches from occupied settings to the Remote Setback settings. When set to 0 minutes, the thermostat will switch from occupied settings to the Remote Setback settings immediately when the room is unoccupied.



Fig. 294.

5. Select the Remote Setback settings that you would like to maintain when the occupancy sensor detects the room is unoccupied.

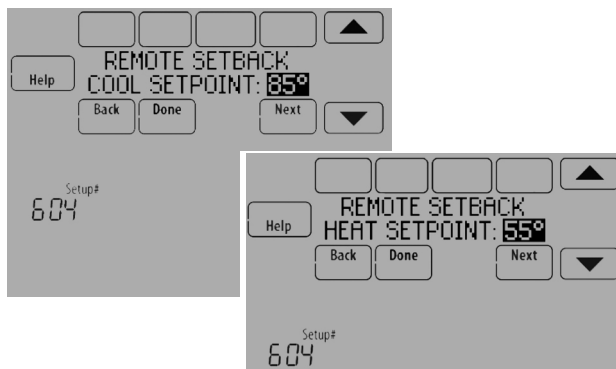


Fig. 295.

## Economizer and Time of Day (TOD) Operation

### Economizer

The thermostat controls an economizer module to provide ventilation during occupied periods and free cooling when outdoor conditions are favorable. In some climates the cooling system may run several hours when it may not be required to maintain indoor comfort. When outdoor conditions are favorable, ventilation with outdoor air can achieve the same level of comfort at lower cost. Table 5 explains how the Economizer Module is controlled by the thermostat.

The thermostat works with the W7220, W7212, W7213 and W7214 Economizer Modules for both heat pump and conventional systems.

Table 5. Economizer Operation.

Thermostat Mode	Equipment Operation	A-L/A terminal: Economizer
Occupied	Heat/Cool/Fan running	ON
Occupied temporarily	Heat/Cool/Fan running	
Occupied	Heat/Cool/Fan NOT running	
Occupied temporarily	Heat/Cool/Fan NOT running	
Pre-occupancy purge	Fan running	
Unoccupied	Cooling system running	
Unoccupied temporarily	Cooling system running	
Standby	Cooling system running	OFF
Unoccupied	Cooling system NOT running	
Unoccupied temporarily	Cooling system NOT running	
Standby	Cooling system NOT running	ON
Non-programmable	Fan running	OFF
Non-programmable	Fan NOT running	

## Time of Day (TOD)

The thermostat can be set up for a Time of Day output in the installer setup. This output is commonly used to control lighting panels, turning them on for occupied periods and off for unoccupied periods. Table 6 explains how the TOD feature works with various thermostat modes.

**Table 6. TOD Operation.**

Thermostat Mode	A-L/A terminal: TOD
Occupied	ON
Occupied temporarily	
Temperature overrides	
Unoccupied	OFF
Unoccupied temporarily	
Standby	
Non-programmable	

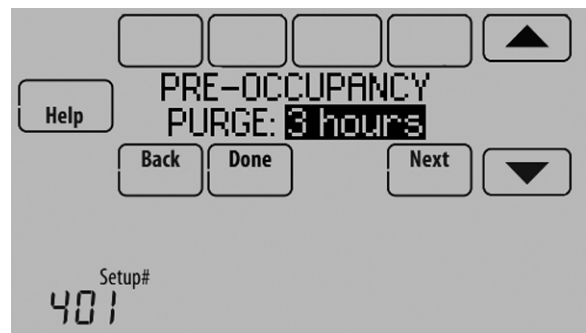
The Economizer Module and Time of Day output connect to the A-L/A terminal at the thermostat or EIM and are set up at ISU 222.



**Fig. 296.**

## Pre-Occupancy Purge

The thermostat can be set up for Pre-Occupancy Purge in the installer setup (ISU 401). When setup for Pre-Occupancy Purge, the thermostat runs the fan 1 to 3 hours before each occupied period to provide a comfortable workplace upon arrival. Options are Off and 1 to 3 hours.



**Fig. 297.**

## Battery Replacement

### Thermostat

Install fresh batteries when the REPLACE BATTERY warning begins flashing. The warning flashes about 60 days before batteries are depleted.

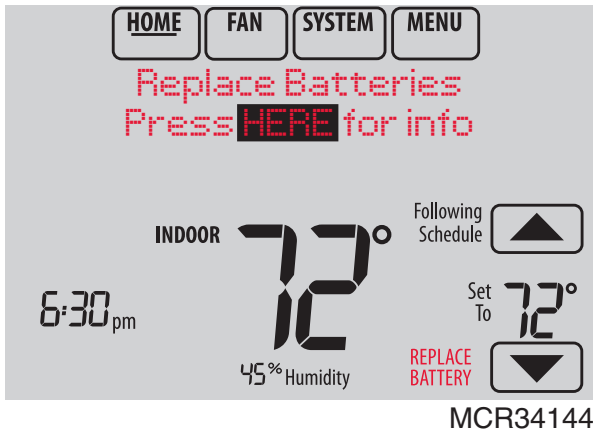


Fig. 298.

Even if the warning does not appear, it is recommended to replace batteries once a year, or before leaving home for more than a month.

Press the release button on top of the thermostat to remove it from the wall plate. Install 4 fresh AA alkaline batteries.

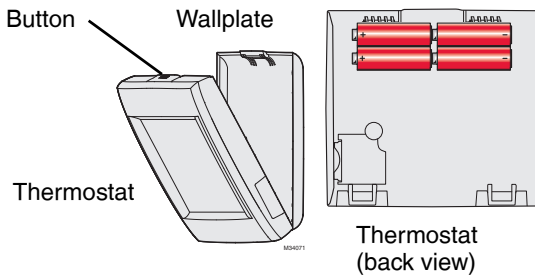
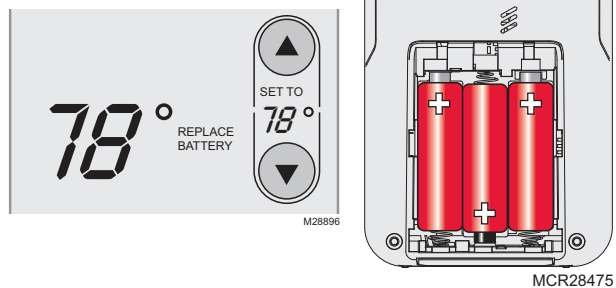


Fig. 299.

### Portable Comfort Control



Install fresh batteries when the REPLACE BATTERY warning begins flashing. The warning flashes about 60 days before batteries are depleted.

The Portable Comfort Control will restore communication with the thermostat a few seconds after new batteries are installed.

### Wireless Outdoor Sensor

Replace batteries in your outdoor sensor when a warning appears on the thermostat screen, about 60 days before batteries are depleted.

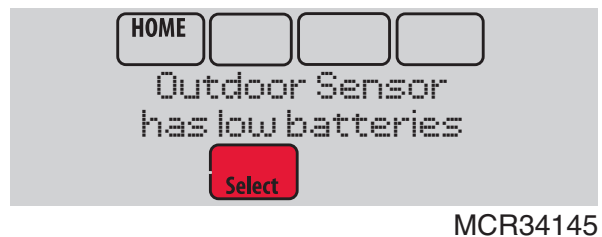
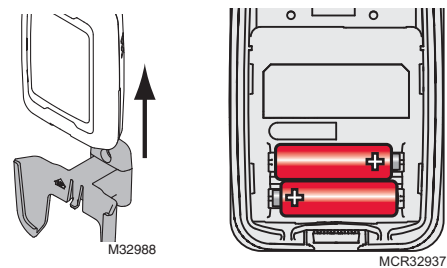


Fig. 300.

To replace the batteries:

1. Remove the sensor from the bracket.
2. Detach cover.
3. Install 2 fresh AA lithium batteries.
4. Replace cover and set sensor back into bracket.

The outdoor sensor will restore communication with the thermostat a few seconds after new batteries are installed.



## Wireless Indoor Sensor

Replace batteries in your indoor sensor when a warning appears on the thermostat screen, about 60 days before batteries are depleted.

When the sensor status light begins flashing red, battery power is critically low and will be depleted within 2–3 weeks. During normal operation, the status light remains off.



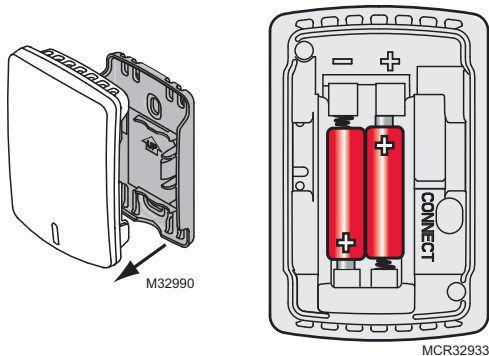
MCR34146

**Fig. 301.**

To replace the batteries:

1. Remove the sensor from wallplate.
2. Install 2 fresh AAA alkaline batteries. If the status light flashes green, batteries are good; if it flashes red, you must use fresh batteries.
3. Attach sensor to wallplate.

The sensor will restore communication with the thermostat a few seconds after new batteries are installed.



## OPTIONAL ACCESSORIES



### PORTABLE COMFORT CONTROL

If you have only one thermostat, you move this remote control from room to room (like a portable thermostat), to make sure the temperature is comfortable in the room you're using. If you have multiple thermostats, you can view and adjust the temperature in each room from your armchair. A Portable Comfort Control can control up to 16 thermostats.



### WIRELESS OUTDOOR SENSOR

With a wireless outdoor sensor, your VisionPRO® thermostat can display outside temperature and humidity. This information can also be displayed on your handheld Portable Comfort Control.



### WIRELESS INDOOR SENSOR

If an indoor sensor is installed, your VisionPRO thermostat will respond to temperature and humidity readings at the sensor location—providing comfort where the sensor is located. With multiple sensors, the thermostat can average temperature readings from each, to optimize comfort throughout your home. The thermostat can be used with up to 6 Wireless Indoor Sensors.



### REDLINK™ INTERNET GATEWAY

The Honeywell RedLINK Internet Gateway gives you remote access to your VisionPRO® thermostat from the web, smart phone or tablet. You can view or adjust indoor temperature, system mode and other settings. The Gateway can also send alerts to as many as 6 email addresses to notify you if a problem occurs.



### WIRELESS ENTRY/EXIT REMOTE

This device mounts beside your door for one-touch control. Press AWAY to control to an energy saving temperature when you leave home. Press HOME to control to a comfortable temperature when you return. To change pre-set temperatures, go to MENU > Entry/Exit Remote. Two covers are sold with the device that allow it to be used in residential or commercial applications. The Residential cover is labeled HOME, AWAY and VACATION and the Commercial cover is labeled OCCUPIED, UNOCCUPIED and HOLIDAY. The thermostat can be used with up to 3 Entry/Exit remotes. Each Entry/Exit remote can control up to 16 thermostats.



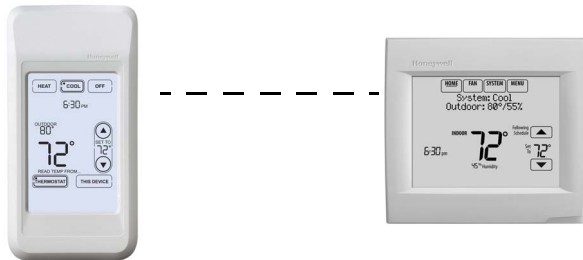
### WIRELESS VENT AND FILTER BOOST REMOTE

This device mounts anywhere in your home (typically bathroom or kitchen) for convenient, on-demand ventilation. Select 20, 40 or 60 minutes for increased ventilation. The thermostat can be used with up to 6 Vent Boost remotes.

## PORTABLE COMFORT CONTROL

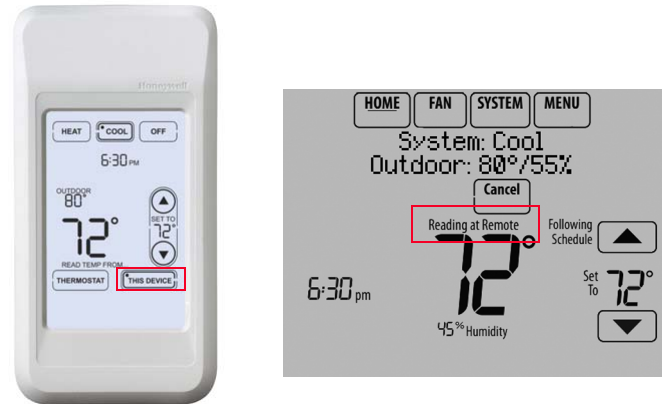
The Portable Comfort Control communicates wirelessly with the thermostat, and can control up to 16 thermostats.

**NOTE: Each thermostat can only be connected to 1 Portable Comfort Control.**



If you have one thermostat, you move this remote control from room to room (like a portable thermostat), to make sure the temperature is comfortable in the room you're using. If you have multiple thermostats, you can view and adjust the temperature in each room from the Portable Comfort Control.

If you have one thermostat, temperature is measured at the thermostat (Fig. 302) or Portable Comfort Control (Fig. 303), as you choose.



**Fig. 303. Reading temperature at the Portable Comfort Control.**

If the thermostat is being averaged with remote indoor sensors, and you select THERMOSTAT on the Portable Comfort Control, you will see the temperature average from the remote indoor sensors and the thermostat.

**NOTE: If the thermostat is not part of the temperature average, then you will only see the temperature average from the remote indoor sensors when you select THERMOSTAT on the Portable Comfort Control.**



**Fig. 302. Reading temperature at the thermostat.**

If the thermostat is being averaged with remote indoor sensors, and you select THIS DEVICE on the Portable Comfort Control, you will see the temperature measured at the Portable Comfort Control only.

If you have multiple thermostats, temperature is measured at each thermostat. Press the TOGGLE ZONE arrows to choose which room to display and adjust. See Fig. 304.



**Fig. 304. Portable Comfort Control used with Multiple Thermostats. Temperature is measured at each thermostat.**

## REMOTE INDOOR SENSORS

For installation, see “C7189R1004 Wireless Indoor Sensor” on page 59, and “C7189U1005 Wired Indoor Sensor” on page 59. For wiring, see “Wiring guide — Wired Indoor Sensors” on page 135.

### Indoor Sensor Operation

#### Temperature Control

The thermostat can be set to respond to its internal temperature sensor, or to an optional remote indoor sensor. If multiple sensors are used, the thermostat will average the temperature detected at each sensor.

In Fig. 305, both the thermostat internal sensor and remote indoor sensor are being used for Temperature Control and are being averaged since both sensors are set to “Yes.” Select “No” if you do NOT want a specific sensor to be used for temperature control or be part of the temperature average.

When using multiple remote indoor sensors, you should name each sensor after you link it to the thermostat. See “Wireless Indoor Sensor” beginning on page 18 for more information. Naming the sensors allows you to select the appropriate sensor(s) for Temperature Control in the Installer Setup.

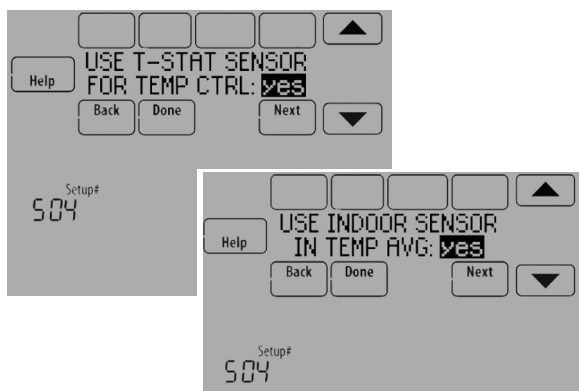


Fig. 305.

#### Humidification control

If optional remote indoor sensors are installed, you can choose which sensor you want to use for humidification control. You can use a different sensor for dehumidification.

When using multiple remote indoor sensors, you should name each sensor after you link them to the thermostat. See “Wireless Indoor Sensor” beginning on page 18 for more information. Naming the sensors allows you to select the

appropriate sensor for Humidification Control in the Installer Setup. For example, in Fig. 306, the MAIN LEVEL remote indoor sensor is selected for Humidification Control.

**NOTE: Requires wireless indoor sensor. Humidity sensing can not be averaged.**

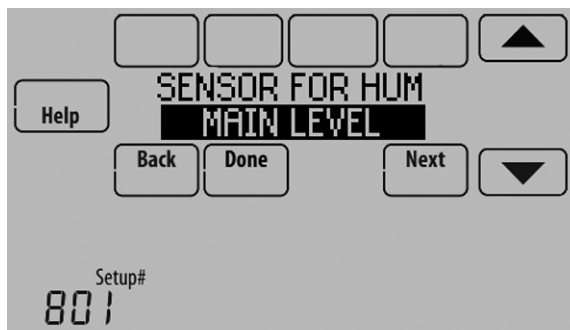


Fig. 306.

#### Dehumidification control

If optional remote indoor sensors are installed, you can choose which sensor you want to use for dehumidification control. For example, you can use one sensor for humidification control, and another for dehumidification.

When using multiple remote indoor sensors, you should name each sensor after you link them to the thermostat. See “Wireless Indoor Sensor” beginning on page 18 for more information. Naming the sensors allows you to select the appropriate sensor for Dehumidification Control in the Installer Setup. For example, in Fig. 307, the CRAWL SPACE remote indoor sensor is selected for Dehumidification Control.

**NOTE: Requires wireless indoor sensor. Humidity sensing can not be averaged.**

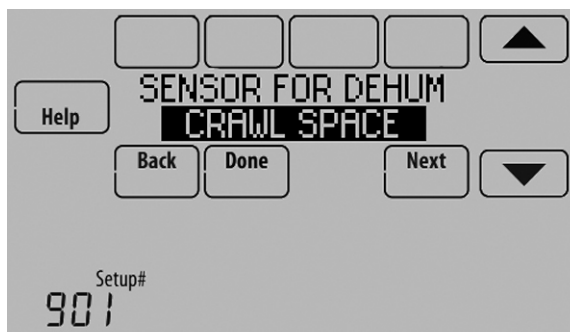


Fig. 307.



## Wireless Indoor Sensor



The wireless indoor sensor senses temperature and humidity in remote locations and communicates that information wirelessly to the thermostat.

The indoor sensor can be used to do the following:

- Maintain a more consistent temperature throughout the building by averaging temperatures. Temperatures from all sensors, including the thermostat, are weighted equally.
- Relocate sensing location (thermostat is in a poor location).
- Relocate the thermostat (if you want to hide the thermostat).
- Humidify and dehumidify in separate spaces (for instance, humidify on the main level, and dehumidify in the crawl space).

You can connect up to 6 Wireless Indoor Sensors to the thermostat. If you connect a Wired Indoor Sensor network to the S1, S2, S3 or S4 terminals, you can connect up to 5 Wireless Indoor Sensors to the thermostat.

The indoor air sensor has a 1 year battery life.

Battery level indicators (when batteries are inserted)

- Good: Status light flashes green for 5 seconds.
- Low: Status light flashes red for 5 seconds. Use fresh batteries.

Battery level indicators (during use)

- Good: Status light remains off.
- Low: Battery power will be depleted in about 2 months. Thermostat displays Low Battery warning. Status light remains off.
- Critical: Battery power will be depleted in about 2–3 weeks. Status light flashes red.

## Temperature Display

The temperature reading displayed on the home screen is from the sensor or sensors that are being used for temperature control.

In Fig. 308, the temperature reading is the average of the thermostat internal sensor and the remote indoor sensor.

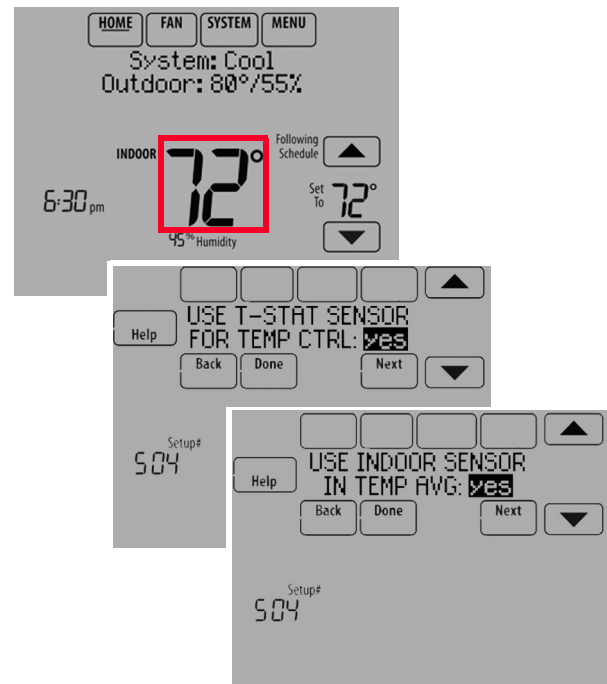


Fig. 308.

## Humidity Display

If you are sensing Humidity from one location (internal or remote), the humidity reading displayed on the home screen is from the sensor that is being used for control. In Fig. 309, the humidity reading is from the remote indoor sensor.

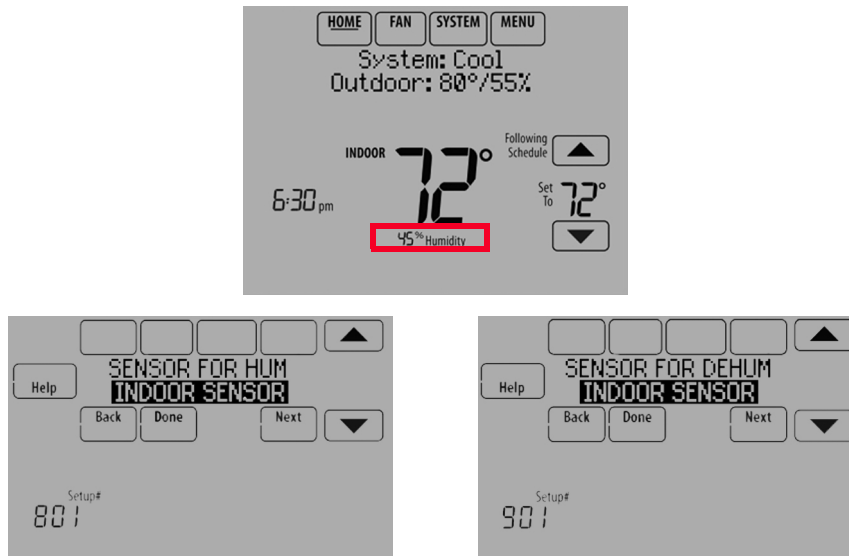


Fig. 309.

If you are sensing Humidity from two separate locations (one for humidification and another for dehumidification), you can select which humidity reading to display on the home screen. In Fig. 310, the humidity reading is from the Main Level remote indoor sensor based on the setting in ISU.

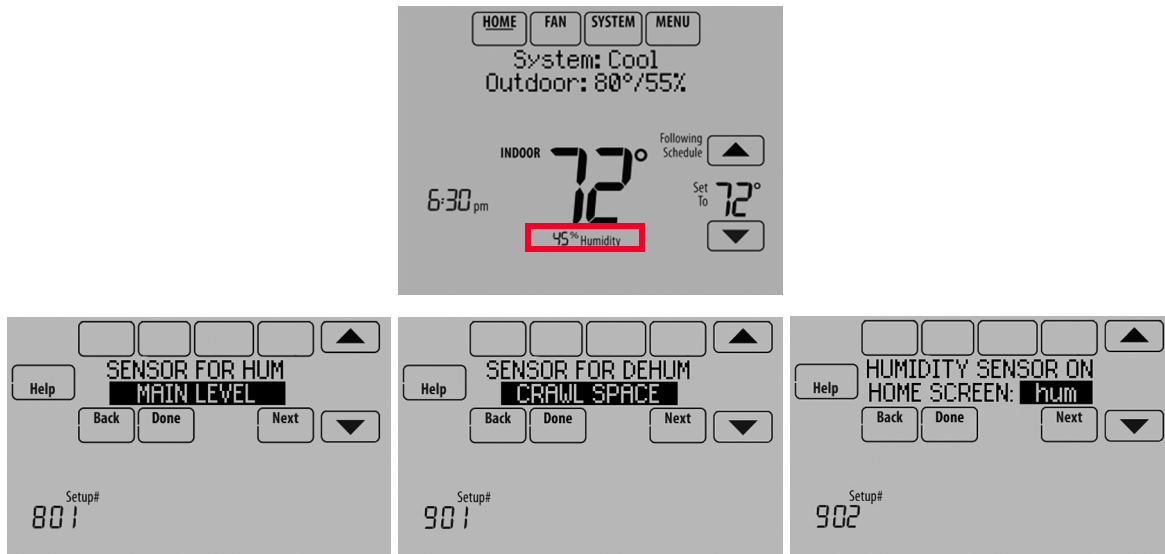


Fig. 310.

## Calibration - Outdoor Sensor

The C7089U1006 Outdoor Sensor is calibrated at the factory and cannot be recalibrated in the field.

**Table 7. C7089U1006 Sensor Resistance at Outdoor Temperature.**

Outdoor Temperature		Ohms of Resistance	Outdoor Temperature		Ohms of Resistance
°F	°C		°F	°C	
-20	-28.9	106926	52	11.1	17136
-18	-27.8	100923	54	12.2	16387
-16	-26.7	95310	56	13.3	15675
-14	-25.6	90058	58	14.4	14999
-12	-24.4	85124	60	15.6	14356
-10	-23.3	80485	62	16.7	13743
-8	-22.2	76137	64	17.8	13161
-6	-21.1	72060	66	18.9	12607
-4	-20.0	68237	68	20.0	12081
-2	-18.9	64631	70	21.1	11578
0	-17.8	61246	72	22.2	11100
2	-16.7	58066	74	23.3	10644
4	-15.6	55077	76	24.4	10210
6	-14.4	53358	78	25.6	9795
8	-13.3	49598	80	26.7	9398
10	-12.2	47092	82	27.8	9020
12	-11.1	44732	84	28.9	8659
14	-10.0	42506	86	30.0	8315
16	-8.9	40394	88	31.1	7986
18	-7.8	38400	90	32.2	7672
20	-6.7	36519	92	33.3	7372
22	-5.6	34743	94	34.4	7086
24	-4.4	33063	96	35.6	6813
26	-3.3	31475	98	36.7	6551
28	-2.2	29975	100	37.8	6301
30	-1.1	28558	102	38.9	6062
32	0.0	27219	104	40.0	5834
34	1.1	25949	106	41.1	5614
36	2.2	24749	108	42.2	5404
38	3.3	23613	110	43.3	5203
40	4.4	22537	112	44.4	5010
42	5.6	21516	114	45.6	4826
44	6.7	20546	116	46.7	4649
46	7.8	19626	118	47.8	4479
48	8.9	18754	120	48.9	4317
50	10.0	17926	—		

## Calibration - Indoor Sensor

The C7189U1005 Wall Mount Temperature Sensor is calibrated at the factory and cannot be recalibrated in the field.

**Table 8. C7189U1005 Sensor Resistance at Room Temperature.**

Room Temperature		Ohms of Resistance	Room Temperature		Ohms of Resistance
°F	°C		°F	°C	
40	4.4	22537	72	22.2	11100
42	5.6	21516	74	23.3	10644
44	6.7	20546	76	24.4	10210
46	7.8	19626	78	25.6	9795
48	8.9	18754	80	26.7	9398
50	10.0	17926	82	27.8	9020
52	11.1	17136	84	28.9	8659
54	12.2	16387	86	30.0	8315
56	13.3	15675	88	31.1	7986
58	14.4	14999	90	32.2	7672
60	15.6	14356	92	33.3	7372
62	16.7	13743	94	34.4	7086
64	17.8	13161	96	35.6	6813
66	18.9	12607	98	36.7	6551
68	20.0	12081	100	37.8	6301
70	21.1	11578	—		

## Backup Control

This section explains when backup control is used. For example, if batteries in the wireless indoor sensors are depleted.

### If the Thermostat is Part of the Temperature Average

1. The thermostat controls the system using the remaining sensors that are part of the temperature average.
2. If there are no remote indoor sensors remaining, the thermostat controls the system using its internal sensor.
3. If the internal thermostat sensor is not available and a Return Air Sensor is connected, the Backup Control in the EIM is used. The backup control maintains 55 °F in heat, 85 °F in cool and operates the fan continuously to sense and control temperature.

### If the Thermostat is NOT Part of the Temperature Average

1. The thermostat controls the system using the remaining sensors that are part of the temperature average.
2. If there are no remote indoor sensors remaining and a Return Air Sensor is connected, the Backup Control in the EIM is used. The backup control maintains 55 °F in heat, 85 °F in cool and operates the fan continuously to sense and control temperature.

## REPLACING A THERMOSTAT

When you replace a thermostat, you must reset the RedLINK accessories before connecting them to the new thermostat.

Follow the instructions below:

### At the Equipment Interface Module (EIM)

1. Press and hold the CONNECT button on the EIM until the CONNECTED LED glows amber (hold for about 10 seconds).
2. Follow the prompts on the screen to connect the new thermostat to the EIM. See page 14.

### At the Portable Comfort Control

1. Press and hold the blank space (or arrow) in the lower right hand corner of the screen until the display changes (hold for about 4 seconds).

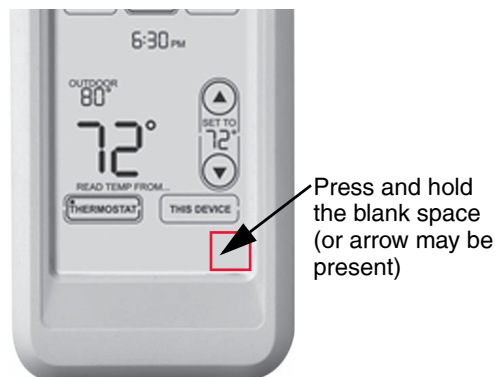


Fig. 311.

2. Press REMOVE, then YES to disconnect from the old thermostats.
3. To reconnect the thermostat, go to “Linking RedLINK Accessories” beginning on page 14.

### At the Indoor Sensor, RedLINK Internet Gateway, Entry/Exit Remote, Vent-Filter Boost Remote or TrueSTEAM Wireless Adapter

1. Press and hold the CONNECT button on the accessory until the status light glows amber (hold for about 10 seconds).
2. To reconnect the thermostat, go to “Linking RedLINK Accessories” beginning on page 14.

## REPLACING AN EQUIPMENT INTERFACE MODULE

When you replace an EIM, you must reset the RedLINK accessories before connecting them to the new thermostat.

Follow the instructions below:

### At the thermostat

1. Press MENU, scroll down and select Installer Options, enter the password (Date Code) when prompted, scroll down and select Wireless Manager, scroll down and select Remove Device, then select This Thermostat.
2. Follow the prompts on the screen to connect the thermostat to the new EIM.

### At the Portable Comfort Control

1. Press and hold the blank space (or arrow) in the lower right hand corner of the screen until the display changes (hold for about 4 seconds). See Fig. 311.
2. Press REMOVE, then YES to disconnect from the old thermostats. To reconnect the thermostat, go to “Linking RedLINK Accessories” beginning on page 14.

### At the Indoor Sensor, RedLINK Internet Gateway, Entry/Exit Remote, Vent-Filter Boost Remote or TrueSTEAM Wireless Adapter

1. Press and hold the CONNECT button on the accessory until the status light glows amber (hold for about 10 seconds).
2. To reconnect the thermostat, go to “Linking RedLINK Accessories” beginning on page 14.

## WIRING

See Table 9 for Equipment Interface Module terminal descriptions and Table 10 for thermostat terminal descriptions.

**Table 9. Equipment Interface Module Terminal Designation Descriptions.**

Conventional System		Heat Pump	
Terminal	Description	Terminal	Description
C	Common wire from 24 VAC transformer.	C	Common wire from 24 VAC transformer.
R*	Power wire from 24 VAC transformer.	R	Power wire from 24 VAC transformer.
RH*	Heating power	RH	Heating power
RC*	Cooling power	RC	Cooling power
W	Heat Stage 1	O/B	Changeover valve for heat pumps
W2	Heat Stage 2	AUX 1	Backup Heat Stage 1/Emergency Heat Stage 1
W3	Heat Stage 3	AUX 2	Backup Heat Stage 2/Emergency Heat Stage 2
Y	Compressor Stage 1	Y	Compressor Stage 1
Y2	Compressor Stage 2	Y2	Compressor Stage 2
G	Fan Relay	G	Fan Relay
A	Connect to Economizer Module or Lighting Panel (TOD).	L/A	Connect to Compressor Monitor, Zone Panel, Economizer Module or Lighting Panel (TOD).
U1 / U1† U2 / U2† U3 / U3†	Universal relay for humidification, dehumidification, ventilation, or a stage of heating/cooling. U terminals are dry contacts that require power.	U1 / U1† U2 / U2† U3 / U3†	Universal relay for humidification, dehumidification, ventilation, or a stage of heating/cooling. U terminals are dry contacts that require power.
S1 / S1‡ S2 / S2‡ S3 / S3‡ S4 / S4‡	Universal input for a wired indoor sensor, outdoor sensor, discharge sensor, return sensor, dry contact device for alerts or dry contact device for remote setback.	S1 / S1‡ S2 / S2‡ S3 / S3‡ S4 / S4‡	Universal input for a wired indoor sensor, outdoor sensor, discharge sensor, return sensor, dry contact device for alerts or dry contact device for remote setback.
A B C D	Connect to THM4000R1000 Wireless Adapter for extended wireless range.	A B C D	Connect to THM4000R1000 Wireless Adapter for extended wireless range.

\* Remove jumpers when separate transformers are used.

† See “Wiring IAQ Equipment or a Heat/Cool Stage to the Universal Terminals” beginning on page 130.

‡ See “Dry Contact Alerts” beginning on page 74 for wiring Dry Contact Devices to display alerts.

Table 10. Thermostat Terminal Designation Descriptions.

Conventional System		Heat Pump	
Terminal	Description	Terminal	Description
C	Common wire from secondary side of cooling transformer (if 2 transformers).	C	Common wire from secondary side of cooling transformer.
Rc*	Cooling power	Rc	Cooling power
R*	Heating power	R	Heating power
W	Heat Stage 1	O / B	Changeover valve for heat pumps
W2	Heat Stage 2	AUX-E	Backup Heat/Emergency Heat
Y	Compressor Stage 1	Y	Compressor Stage 1
Y2	Compressor Stage 2	Y2	Compressor Stage 2
G	Fan Relay	G	Fan Relay
A	Connect to Economizer Module or Lighting Panel (TOD).	L / A	Connect to Compressor Monitor, Zone Panel, Economizer Module or Lighting Panel (TOD).
U1 / U1	Universal relay for humidification, dehumidification, ventilation, or a stage of heating/cooling.	U1 / U1	Universal relay for humidification, dehumidification, ventilation, or a stage of heating/cooling.
S1 / S1	Universal input for a wired indoor, outdoor or discharge sensor.	S1 / S1	Universal input for a wired indoor, outdoor or discharge sensor.
K†	Connect to K on Wire Saver module.	K†	Connect to K on Wire Saver module.

\* Remove factory installed jumper for two transformer systems.

† The THP9045A1023 Wire Saver module is used on heat/cool systems when you only have four wires at the thermostat and you would like the thermostat to be powered with a common wire. Use the K terminal in place of the Y and G terminals on conventional or heat pump systems to provide control of the fan and the compressor through a single wire—the unused wire then becomes your common wire. See THP9045 instructions for more information.



## CAUTION

### Electrical Hazard.

**Can cause electrical shock or equipment damage.**

Disconnect power before wiring.

All wiring must comply with local electrical codes and ordinances. See Fig. 314–350.

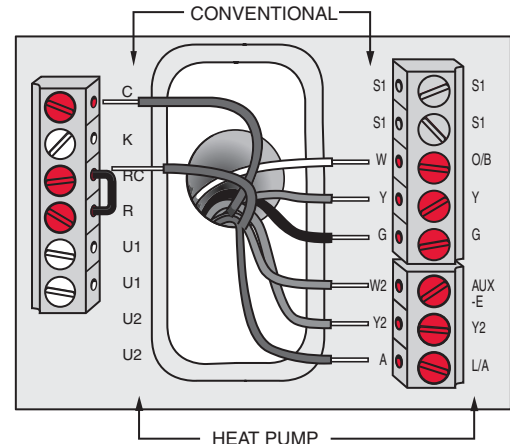
1. Select wiring diagram that corresponds with system type

and the equipment being installed (using the EIM or wiring the thermostat directly to the HVAC equipment).

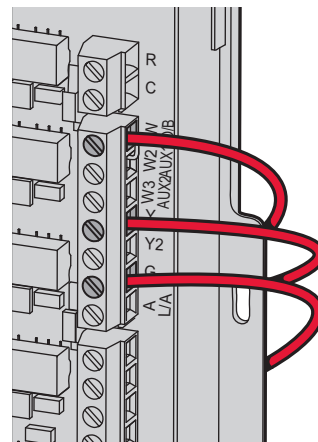
2. Loosen the screws for the appropriate terminals. Insert wires in the terminal block under the loosened screw. See Fig. 312 and 313.
3. Securely tighten each screw.
4. Push excess wire back into the hole.
5. Plug the hole with nonflammable insulation to prevent drafts from affecting the thermostat.
6. See Fig. 314–337 for typical wiring hookups.

**Table 11. Wiring Diagrams by System Type.**

System Type	Wiring Diagram Reference
Standard Heat/Cool	314
Heat Pump with Auxiliary Heat	315
Geothermal radiant heat	316
Heat pump with oil forced air backup.	320
Geothermal radiant heat with geothermal forced air and backup heat using separate transformer for the radiant heat	321
Wood stove-fired hot water fan coil with forced air furnace backup heat	322
Hot water radiant heat with backup heat (single zone application)	323
Hot water radiant heat with backup forced air heat. Zoned with forced air zone panel and zone valves	324
Hot water radiant heat with backup forced air heat. Zoned with forced air zone panel and hot water panel.	325
Hot water fan coil with forced air furnace backup heat.	326
Wood stove with heat pump and backup electric strips. (For applications in which the thermostat only needs to run the blower fan when stove is hot).	
Wiring IAQ Equipment or a stage of Heating/Cooling to U1, U2 or U3 terminals	327–337
Wired Remote Sensors	342–346



**Fig. 312. Inserting wires in thermostat terminal block.**



**Fig. 313. Inserting wires in EIM terminal block**

**IMPORTANT**

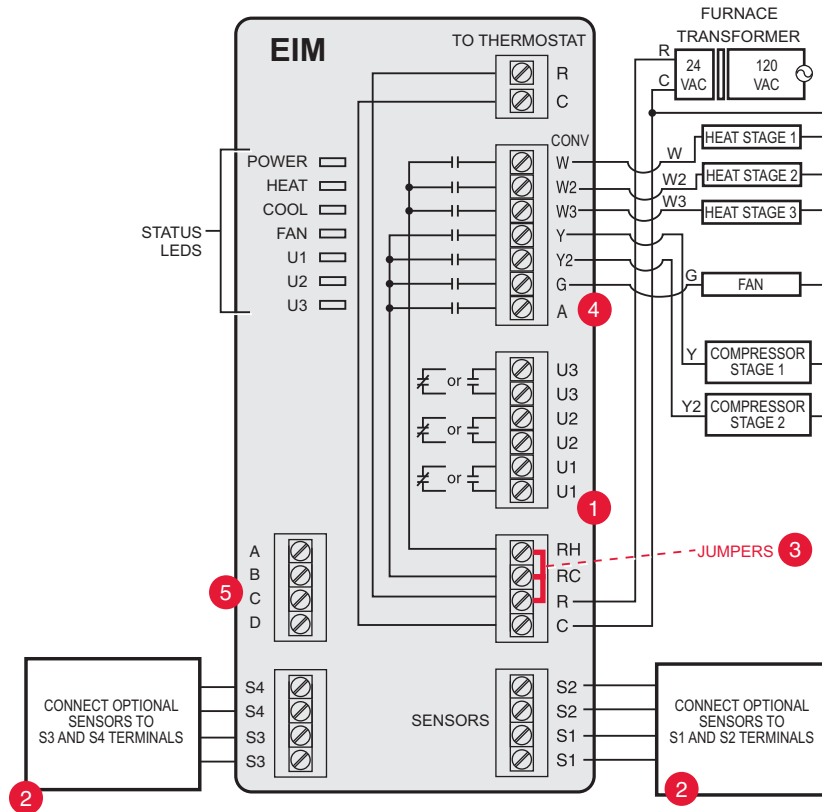
*Use 18–22 gauge thermostat wire.*

**Table 12. Zoning Diagrams by System Type.**

System Type	Wiring Diagram Reference
RedLINK VisionPRO thermostats with an HZ432 zone panel and no IAQ control	347
RedLINK VisionPRO thermostat controlling one zone with an HZ432 zone panel and a TrueSTEAM humidifier	348
RedLINK VisionPRO thermostat with an HZ432 zone panel and a ventilator	349
RedLINK VisionPRO thermostat with an HZ432 zone panel and a TrueDRY dehumidifier	350

## EIM Wiring Diagrams

Typical wiring of a conventional system with up to 3-stage heat and 2-stage cool with one transformer.

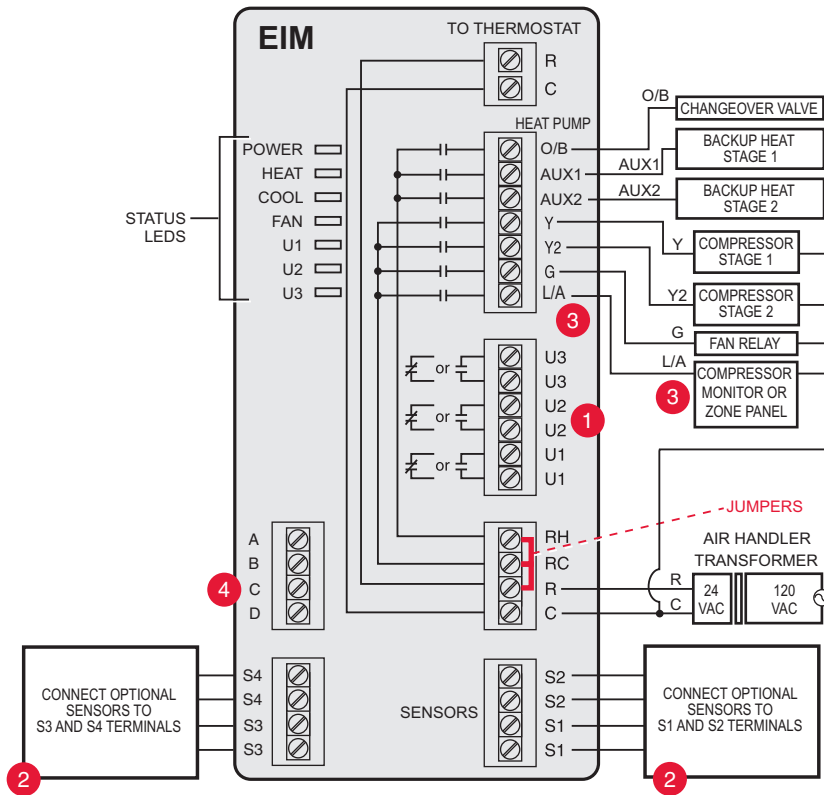


**Fig. 314. EIM wiring guide — conventional systems.**

- 1 See guides on following pages for geothermal radiant heat wiring.
- 2 Wire a maximum of 4 sensors using the S1-S4 terminals. S1-S4 terminals can be connected to an indoor sensor, outdoor sensor, discharge sensor, return sensor, dry contact device to display an alert or an occupancy sensor for remote setback.
- 3 Remove jumper(s) if using separate transformers.
- 4 See “Economizer Module Wiring Diagrams” beginning on page 132.
- 5 Connect wireless adapter to ABCD for extended wireless range.



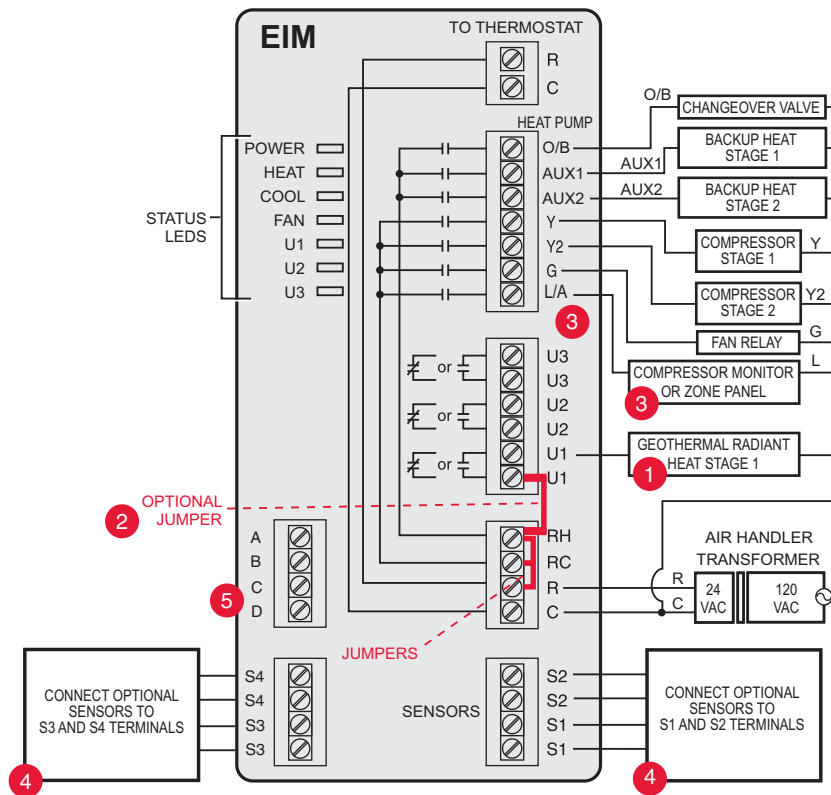
Typical wiring of a heat pump system with up to four-stage heat and two-stage cool with one transformer.



**Fig. 315. EIM wiring guide — heat pump systems.**

- 1 See guides on following pages for geothermal radiant heat wiring.
- 2 Wire a maximum of 4 sensors using the S1-S4 terminals. S1-S4 terminals can be connected to an indoor sensor, outdoor sensor, discharge sensor, return sensor, dry contact device to display an alert or an occupancy sensor for remote setback..
- 3 L/A terminal sends continuous output when thermostat is set to EM HEAT mode, except when set up for Economizer or TOD. See “Economizer Module Wiring Diagrams” beginning on page 132.
- 4 Connect wireless adapter to ABCD for extended wireless range.

Typical wiring for geothermal radiant heat, geothermal forced-air, and backup heat with one transformer.



**Fig. 316. EIM wiring guide — geothermal radiant heat.**

1 U1, U2 or U3 terminals must be used for geothermal radiant heat (ISU 201). Thermostat allows 2 stages of radiant heat—geothermal (stage 1) and boiler (stage 2).

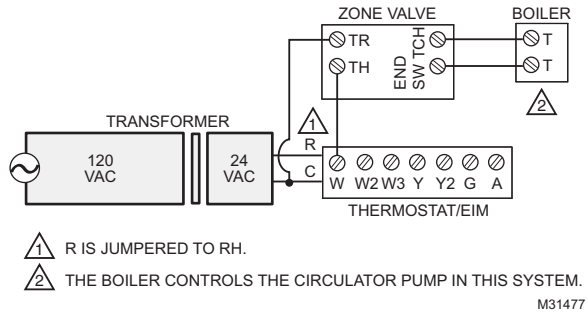
2 “U” terminals are normally open dry contacts when set up for geothermal radiant heat. You must install a field jumper if radiant heat is powered by system transformer. Do NOT install a field jumper if radiant heat has its own transformer.

3 L/A terminal sends continuous output when thermostat is set to EM HEAT mode except when set up for Economizer or TOD. See “Economizer Module Wiring Diagrams” beginning on page 132.

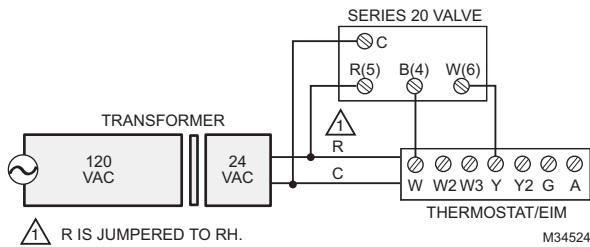
4 Wire a maximum of 4 sensors using the S1-S4 terminals. S1-S4 terminals can be connected to an indoor sensor, outdoor sensor, discharge sensor, return sensor, dry contact device to display an alert or an occupancy sensor for remote setback.

5 Connect wireless adapter to ABCD for extended wireless range.

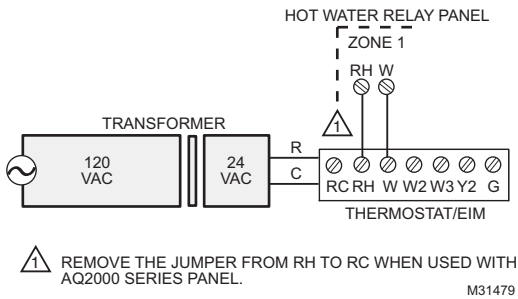
**NOTE: For setup and operation, see “Geothermal Radiant Heat” beginning on page 78.**



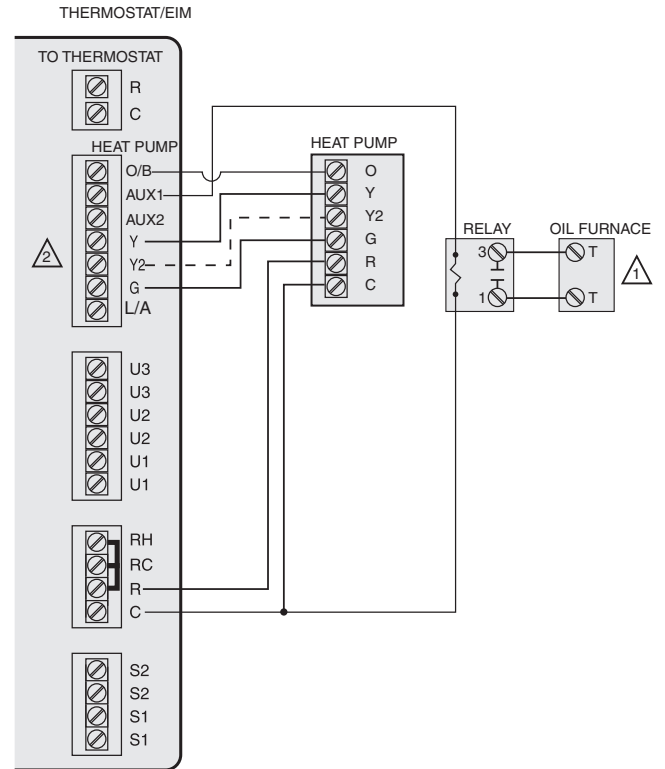
**Fig. 317. 2-Wire Zone Valve with end switch.**



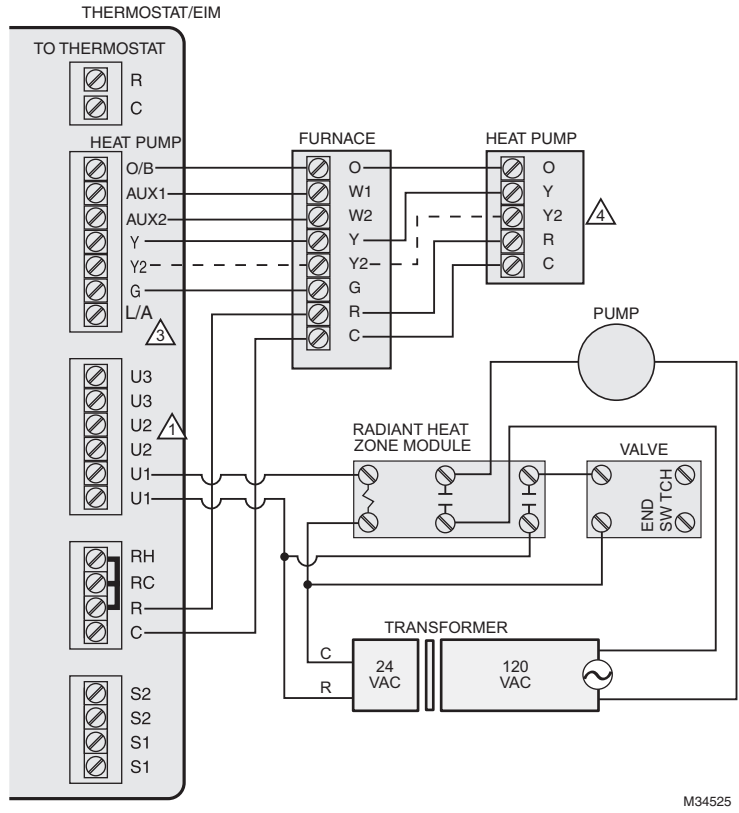
**Fig. 318. Series 20 hot water heat.**



**Fig. 319. AQ2000 series panels or other hot water relay panels.**



**Fig. 320. Heat pump with oil forced air backup.**

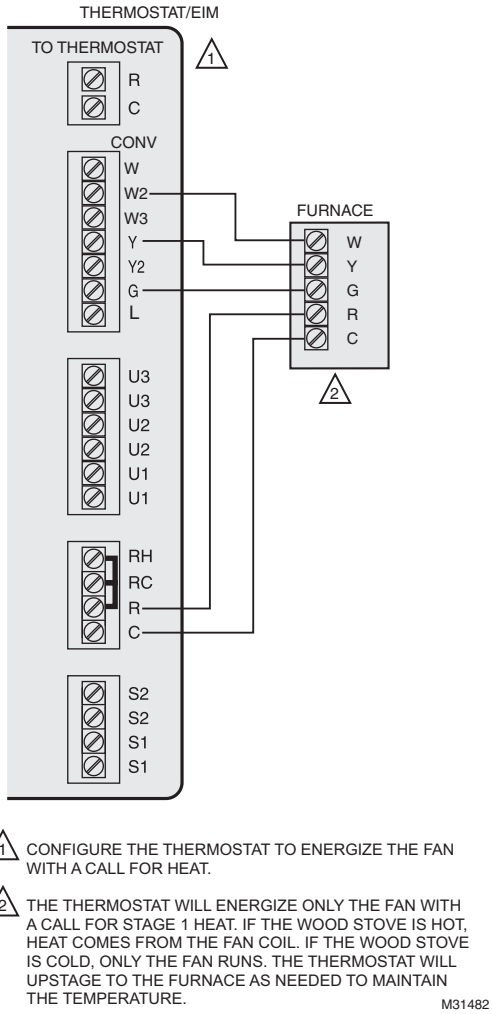


M34525

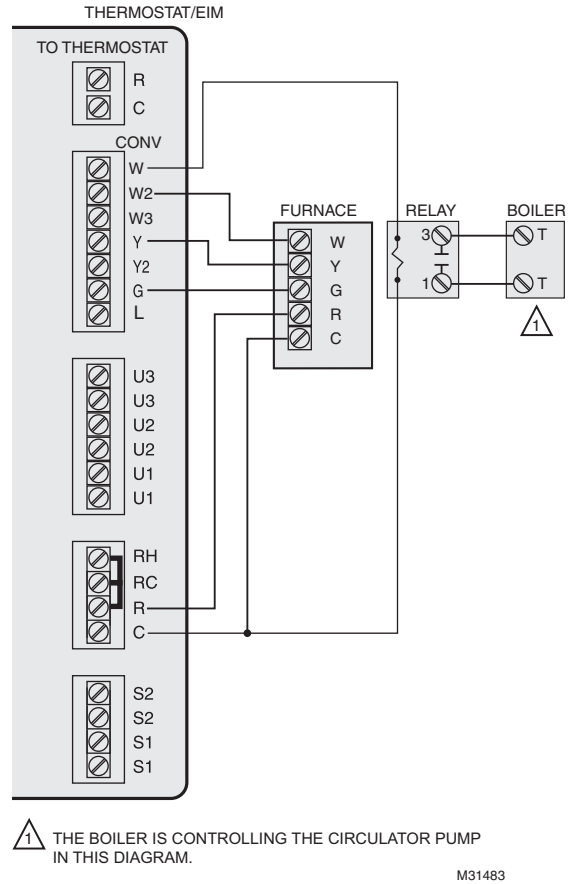
**Fig. 321. Geothermal radiant heat with geothermal forced air and backup heat using separate transformer for the radiant heat.**

- 1 U1, U2 or U3 terminals must be used for geothermal radiant heat (ISU 201). Thermostat allows 2 stages of radiant heat—geothermal (stage 1) and boiler (stage 2).
- 2 “U” terminals are normally open dry contacts when set up for geothermal radiant heat. You must install a field jumper if radiant heat is powered by system transformer. Do NOT install a field jumper if radiant heat has its own transformer.
- 3 L/A terminal sends continuous output when thermostat is set to EM HEAT mode except when set up for Economizer or TOD. See “Economizer Module Wiring Diagrams” beginning on page 132.
- 4 Y2 used with heat pumps that have 2 compressor stages.

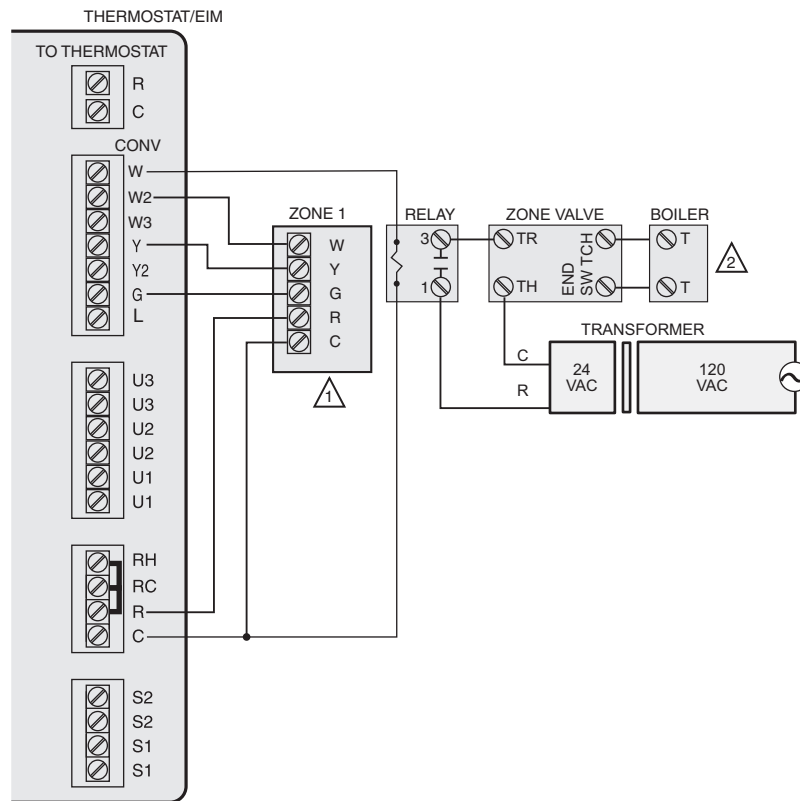
**NOTE: For setup and operation, see “Geothermal Radiant Heat” beginning on page 78.**



**Fig. 322. Wood stove-fired hot water fan coil with forced air furnace backup heat.**



**Fig. 323. Hot water radiant heat with backup heat (single zone application).**

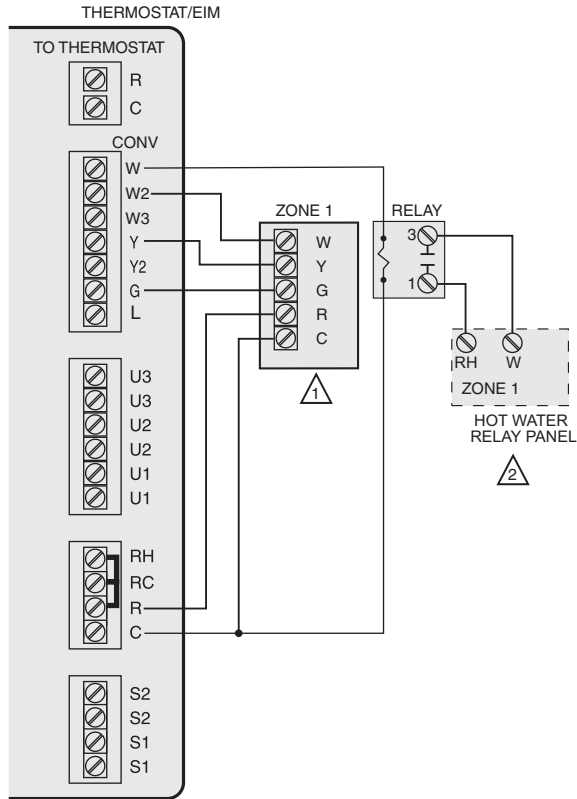


△<sup>1</sup> HZ311, HZ322, OR HZ432 ZONE PANELS COULD BE USED TO CONTROL A FORCED AIR FURNACE ZONED WITH DAMPERS.

△<sup>2</sup> THE BOILER IS CONTROLLING THE CIRCULATOR PUMP IN THIS DIAGRAM.

M34526

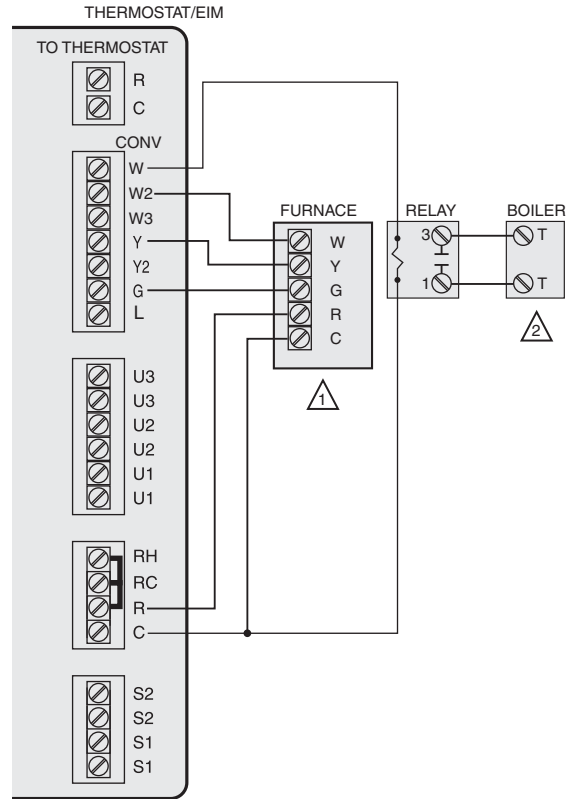
**Fig. 324. Hot water radiant heat with backup forced air heat. Zoned with forced air zone panel and zone valves.**



- ⚠️ 1 HZ311, HZ322, OR HZ432 ZONE PANELS COULD BE USED TO CONTROL A FORCED AIR FURNACE ZONED WITH DAMPERS.
- ⚠️ 2 AN AQ2000 SERIES HOT WATER ZONE PANEL OR OTHER RELAY-BASED HOT WATER ZONE 3 PANEL COULD BE USED.

M31485

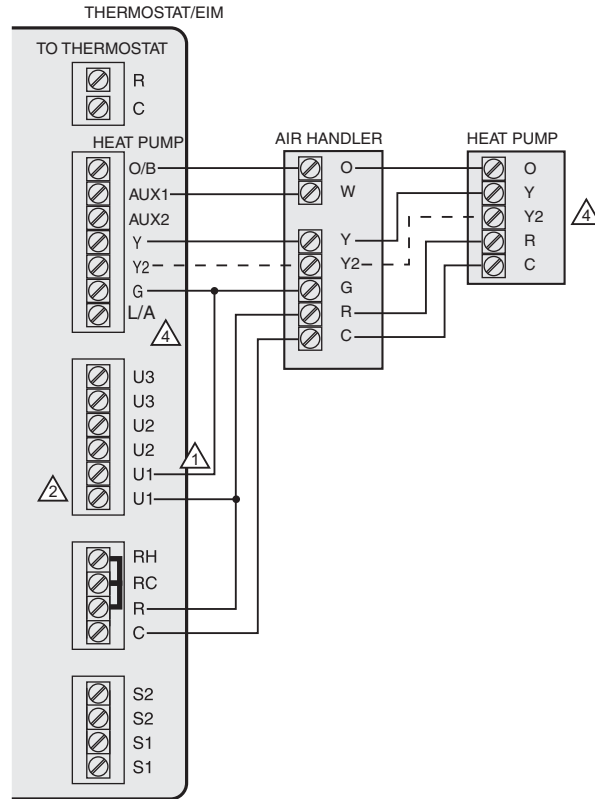
**Fig. 325. Hot water radiant heat with backup forced air heat. Zoned with forced air zone panel and hot water panel.**



- ⚠️ 1 CONFIGURE THE THERMOSTAT TO ENERGIZE THE FAN WITH A CALL FOR HEAT.
- ⚠️ 2 THE BOILER IS CONTROLLING THE CIRCULATOR PUMP IN THIS DIAGRAM.

M31486

**Fig. 326. Hot water fan coil with forced air furnace backup heat.**



M31487

Wood stove with heat pump and backup electric strips. (For applications in which the thermostat only needs to run the blower fan when stove is hot).

1 Select Geothermal Radiant Heat at ISU 201. Connect Fan to U1, U2, or U3 as shown in the wiring diagram.

2 "U" terminals are normally open dry contacts when set up for geothermal radiant heat.

3 L/A terminal sends continuous output when thermostat is set to EM HEAT mode except when set up for Economizer or TOD. See "Economizer Module Wiring Diagrams" beginning on page 132.

4 Y2 used with heat pumps that have 2 compressor stages.

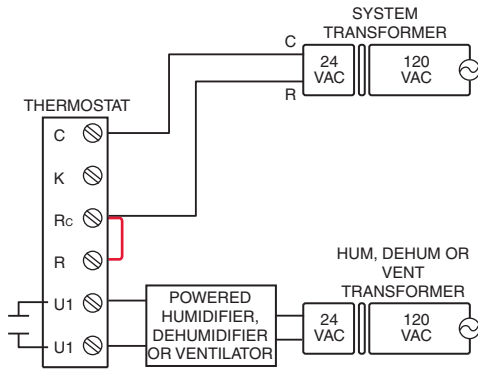
**NOTE:** In Fig. , the thermostat will energize only the fan with a call for stage 1 heat. If the wood stove is hot, heat comes from the fan coil. If the wood stove is cold, only the fan runs. The thermostat will upstage to the heat pump and backup heat as needed to maintain the temperature.



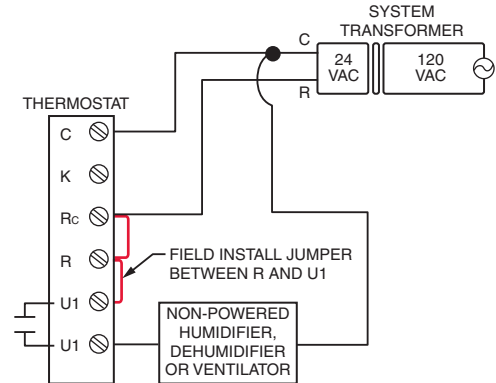
## Wiring IAQ Equipment or a Heat/Cool Stage to the Universal Terminals

### To Thermostat

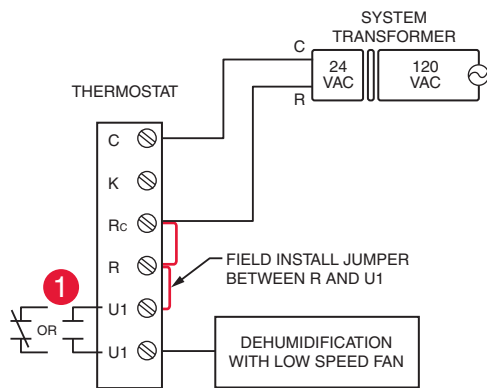
“U” terminals can be used for humidification, dehumidification, ventilation or a stage of heating/cooling.



**Fig. 327. Wiring a powered humidifier, dehumidifier, or ventilator.**

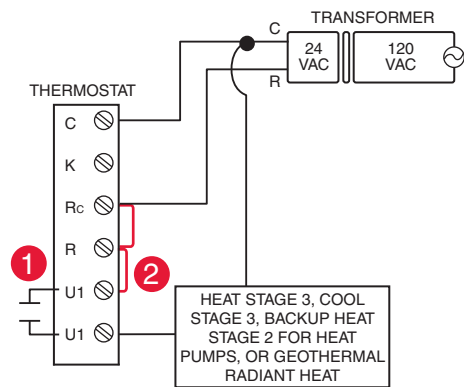
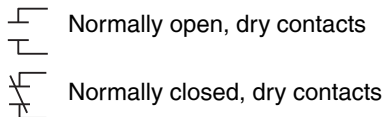


**Fig. 329. Wiring a non-powered humidifier, dehumidifier, or ventilator.**



**Fig. 328. Dehumidification with low speed fan using a variable speed blower.**

1 Wire the thermostat universal relay to the low speed fan for dehumidification control at the equipment. The thermostat relay can be set to normally open or normally closed in the thermostat installer setup.



**Fig. 330. Wiring a heat or cool stage to U1.**

1 U1 terminals are normally open dry contacts when set up for a stage of heating or cooling.

2 You must install a field jumper if the stage of heating or cooling is powered by system transformer. Do NOT install a field jumper if the stage of heating has its own transformer.

## Wiring IAQ Equipment or a Heat/Cool Stage to the Universal Terminals

### To Equipment Interface Module

“U” terminals can be used for humidification, dehumidification, ventilation or a stage of heating/cooling.

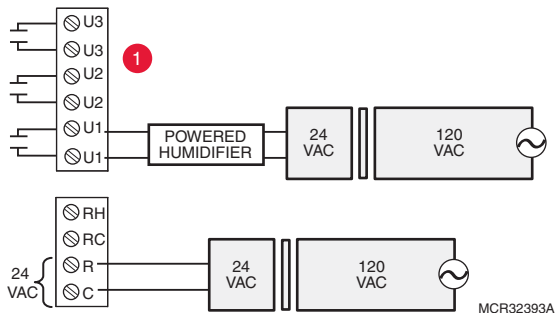


Fig. 331. Typical hookup of powered humidifier.

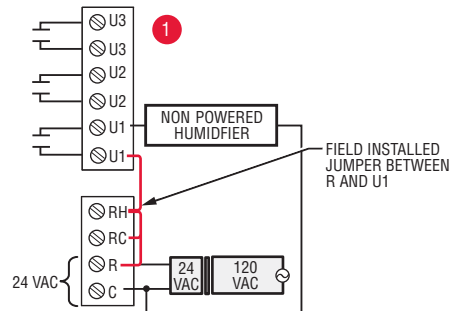


Fig. 334. Typical hookup of non-powered humidifier.

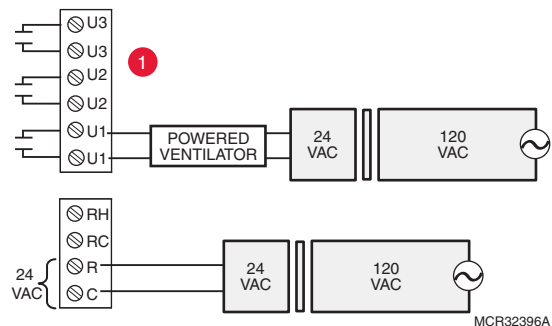


Fig. 332. Typical hookup of powered ventilation.

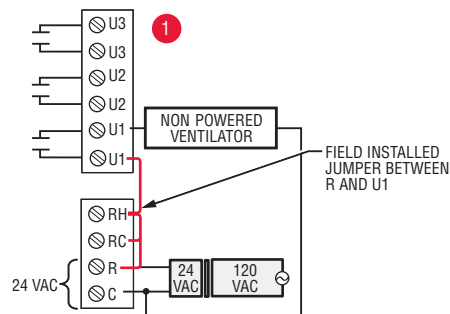


Fig. 335. Typical hookup of non-powered ventilation.

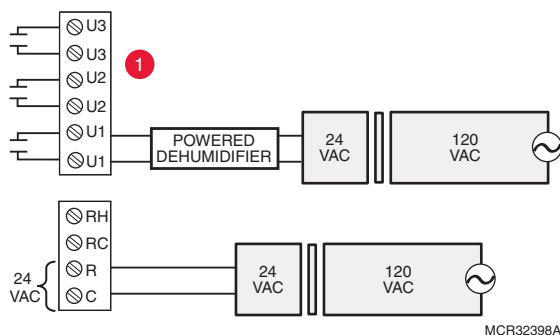


Fig. 333. Typical hookup of powered dehumidifier (whole house dehumidifier).

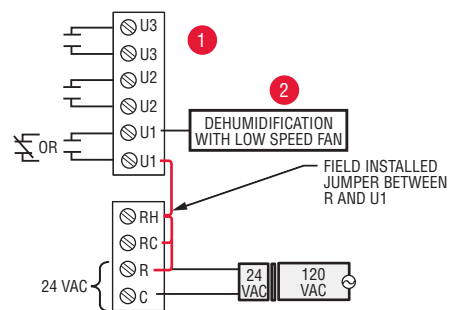
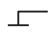



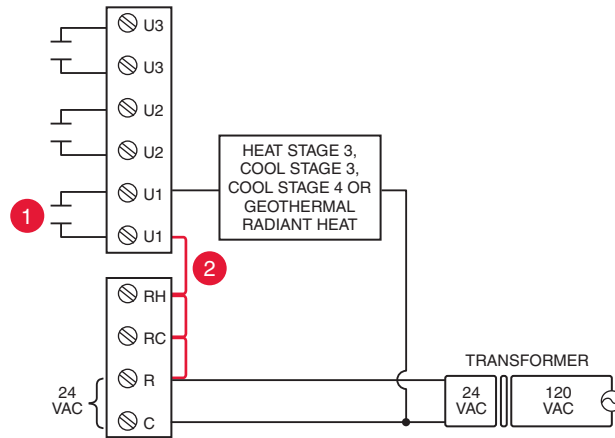
Fig. 336. Typical hookup of variable speed blower for dehumidification in low speed.

1 Any combination of universal relays (U1, U2, U3) can be used. They are set in the thermostat installer setup.

2 Wire the universal EIM relay to the low speed fan for dehumidification control at the equipment. The EIM relay can be set to be normally open or normally closed in the thermostat installer setup.

 Normally open, dry contacts

 Normally closed, dry contacts



**Fig. 337. Connecting a stage of heating or cooling to a universal relay (U1, U2, U3).**

1 U1, U2, and U3 are normally open dry contacts when set up for a stage of heating or cooling.

2 You must install a field jumper if the stage of heating or cooling is powered by the system transformer. Do NOT install a field jumper if the stage of heating has its own transformer.

## Economizer Module Wiring Diagrams

Typical wiring of a W7220 Economizer Module for a heat pump system, using a VisionPRO with RedLINK thermostat or Equipment Interface Module.

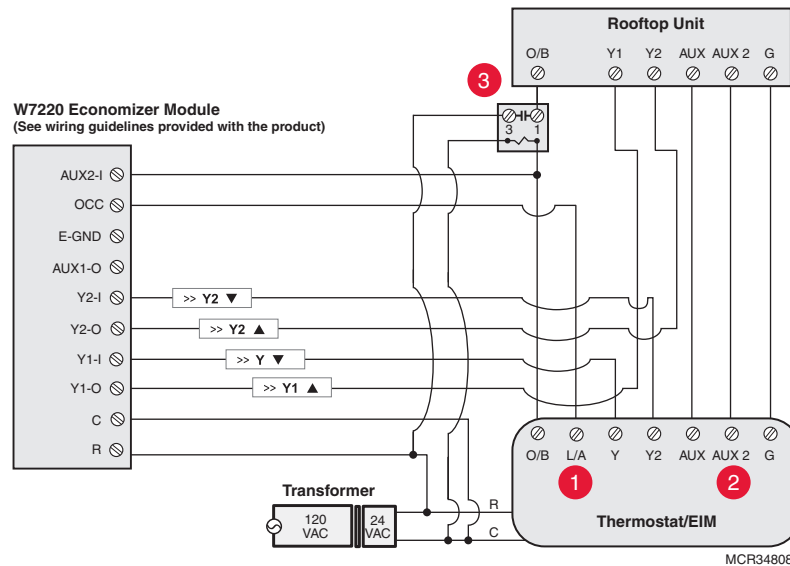


Fig. 338. Wiring a W7220 Economizer Module for a heat pump system.

Typical wiring of a W7220 Economizer Module for a conventional system, using a VisionPRO with RedLINK thermostat or Equipment Interface Module.

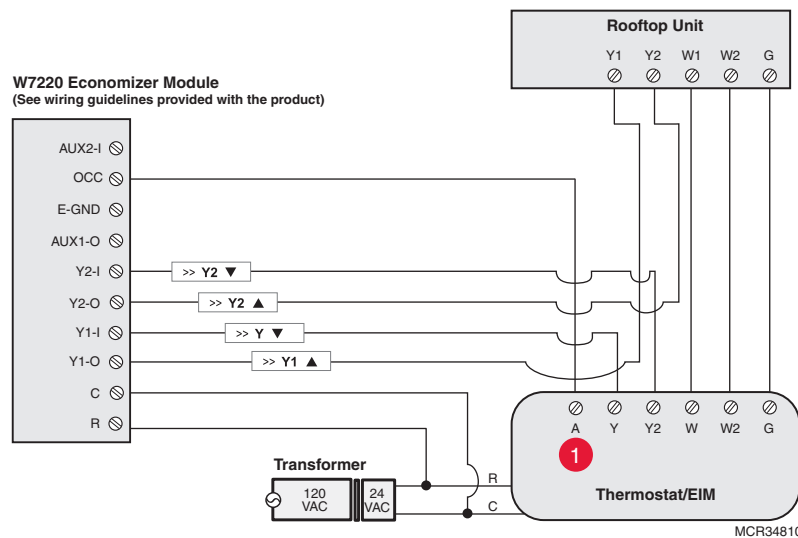


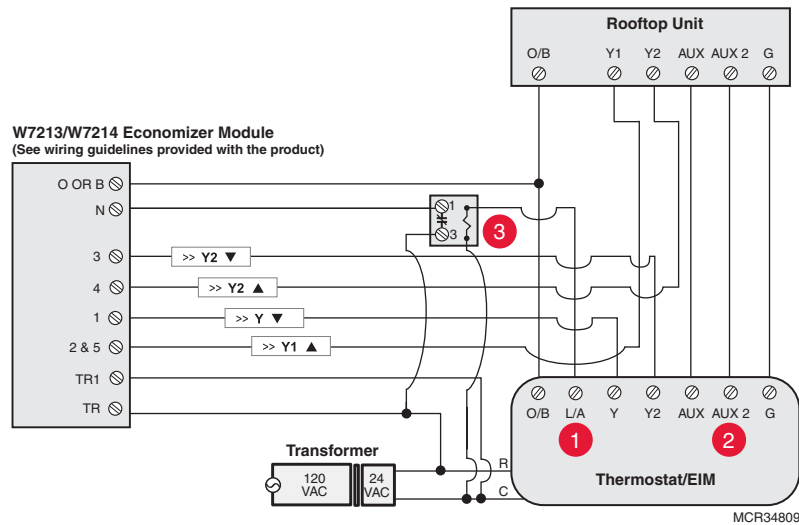
Fig. 339. Wiring a W7220 Economizer Module for a conventional system.

1 "A" or "L/A" terminal must be configured for Economizer in the installer setup (ISU 222). These terminals are powered by the cooling transformer (Rc terminal).

2 Terminal AUX 2 is present only on the Equipment Interface Module.

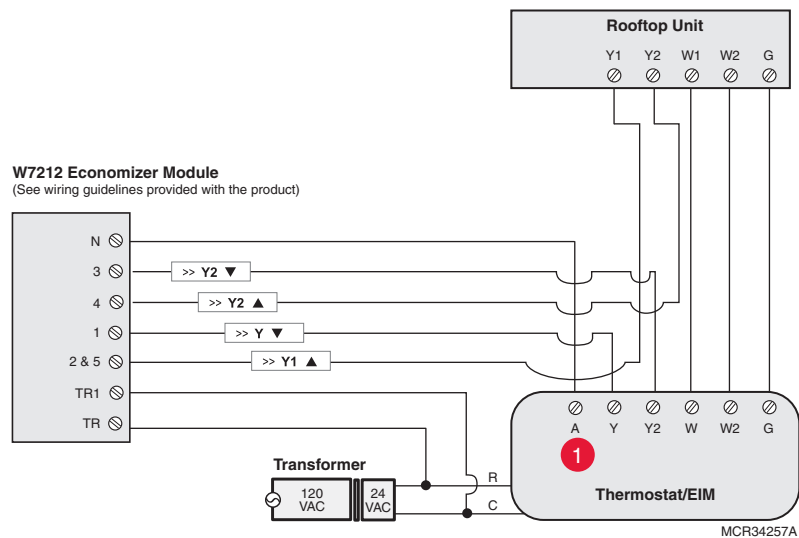
3 Connect the changeover valve from the roof top unit to the normally open contacts of an isolation relay to prevent feedback into the economizer module during defrost. If this is not done when the system goes into defrost, it will change the economizer into cooling mode due to the feedback and open the outside damper while in heating mode.

Typical wiring of a W7213/W7214 Economizer Module for a heat pump system, using a VisionPRO with RedLINK thermostat or Equipment Interface Module.



**Fig. 340. Wiring a W7213/W7214 Economizer Module for a heat pump system.**

Typical wiring of a W7212 Economizer Module for a conventional heating system, using a VisionPRO with RedLINK thermostat or Equipment Interface Module.



**Fig. 341. Wiring a W7212 Economizer Module for a conventional heating system.**

1 "A" or "L/A" terminal must be configured for Economizer in the installer setup (ISU 222). These terminals are powered by the cooling transformer (Rc terminal).

2 Terminal AUX 2 is present only on the Equipment Interface Module.

3 Add a normally closed relay as shown to make the W7213/W7214 Economizer Module compatible with the thermostat. The thermostat energizes the "A" or "L/A" terminal during Occupied Periods.

## Wiring C7089U1006 Outdoor Sensor



### CAUTION

**Electrical Interference (Noise) Hazard.  
Can cause erratic system operation.**

Keep wiring at least one foot away from large inductive loads such as motors, line starters, lighting ballasts and large power distribution panels.  
Use shielded cable to reduce interference when rerouting is not possible.

### IMPORTANT

*Erratic temperature readings from a sensor can occur as a result of any of the wiring practices described below. Avoid these practices to assure correct operation. Use shielded cable to reduce interference if rerouting sensor wiring is not possible.*

- Be sure wires have a cable separate from the thermostat cable.
- Do not route temperature sensor wiring with building power wiring, next to control contactors or near light dimming circuits, electric motors or welding equipment.
- Avoid poor wiring connections.
- Avoid intermittent or missing building earth ground.

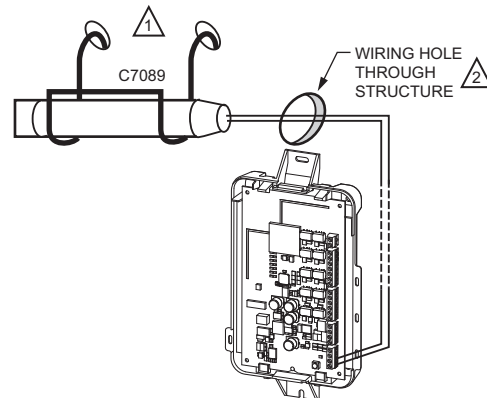


### CAUTION

**Electrical Shock Hazard.  
Can cause electrical shock or equipment damage.**  
Disconnect power supply before connecting wiring.

Wiring must comply with applicable codes, ordinances and regulations:

1. Wire C7089U1006 Outdoor Sensor to S terminals on the thermostat or EIM. If leadwire provided is not long enough (60 in.), run a cable to a hole at C7089U1006 location.
  - a. Using color-coded, 18-gauge thermostat wire is recommended. For example of general wiring of C7089U1006, see Fig. 342.
  - b. Pigtail wiring can be used.
2. Mount C7089U1006 in its mounting clip.
3. Plug wiring hole using nonhardening caulk or putty.



1 USE APPROPRIATE MOUNTING MEANS FOR THE TYPE OF STRUCTURE.

2 PLUG WIRING HOLE WITH NON-HARDENING CAULK OR PUTTY.

M31470

**Fig. 342. Wire C7089U1006 Outdoor Sensor to the EIM.**

## Wiring guide — Wired Indoor Sensors



### CAUTION

**Electrical Interference (Noise) Hazard.**  
Can cause erratic system operation.

Keep wiring at least one foot away from large inductive loads such as motors, line starters, lighting ballasts and large power distribution panels.  
Use shielded cable to reduce interference when rerouting is not possible.

### IMPORTANT

*Erratic temperature readings from a sensor can occur as a result of any of the wiring practices described below. Avoid these practices to assure correct operation. Use shielded cable to reduce interference if rerouting sensor wiring is not possible.*

- Be sure wires have a cable separate from the thermostat cable.
- Do not route temperature sensor wiring with building power wiring, next to control contactors or near light dimming circuits, electric motors or welding equipment.
- Avoid poor wiring connections.
- Avoid intermittent or missing building earth ground.

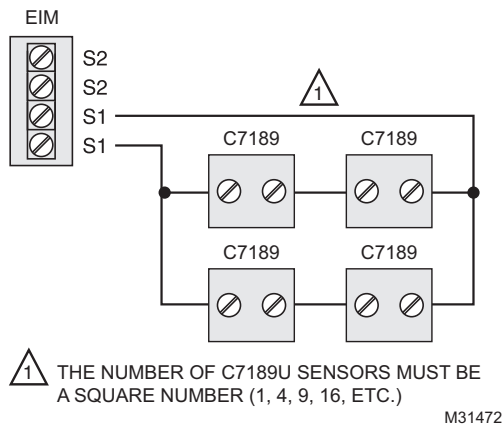


### CAUTION

**Electrical Shock Hazard.**  
Can cause electrical shock or equipment damage.  
Disconnect power supply before connecting wiring.

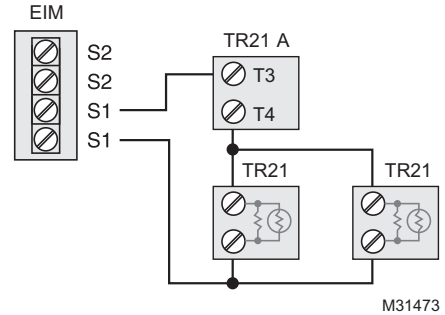
Use the S1, S2, S3 or S4 terminals for wired sensors.

Wiring 4 C7189U1005 sensors (10k ohm) for temperature averaging network. Select 10K in the Installer Setup (ISU 503) when using C7189U1005 sensor(s).



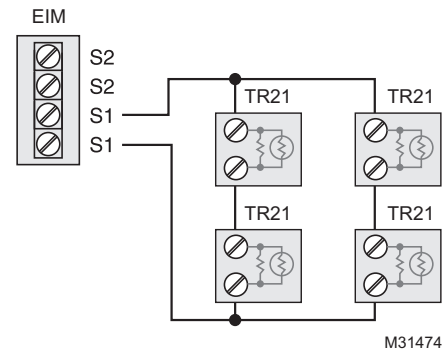
**Fig. 343. Wiring 4 C7189U sensors.**

Wiring 2 TR21 sensors (20k ohm) and 1 TR21-A sensor (10k ohm) for temperature averaging network. Select 20K in the Installer Setup (ISU 503) when using 2 TR21 sensors and 1 TR21-A sensor.



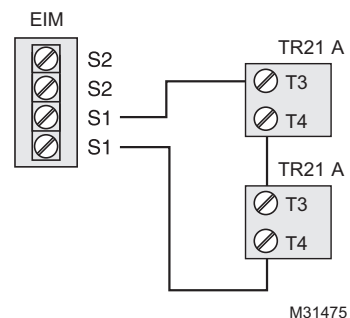
**Fig. 344. Wiring 2 TR21 sensors and 1 TR21-A sensor.**

Wiring 4 TR21 sensors (20k ohm). Select 20K in the Installer Setup (ISU 503) when using TR21 sensor(s).



**Fig. 345. Wiring 4 TR21 sensors.**

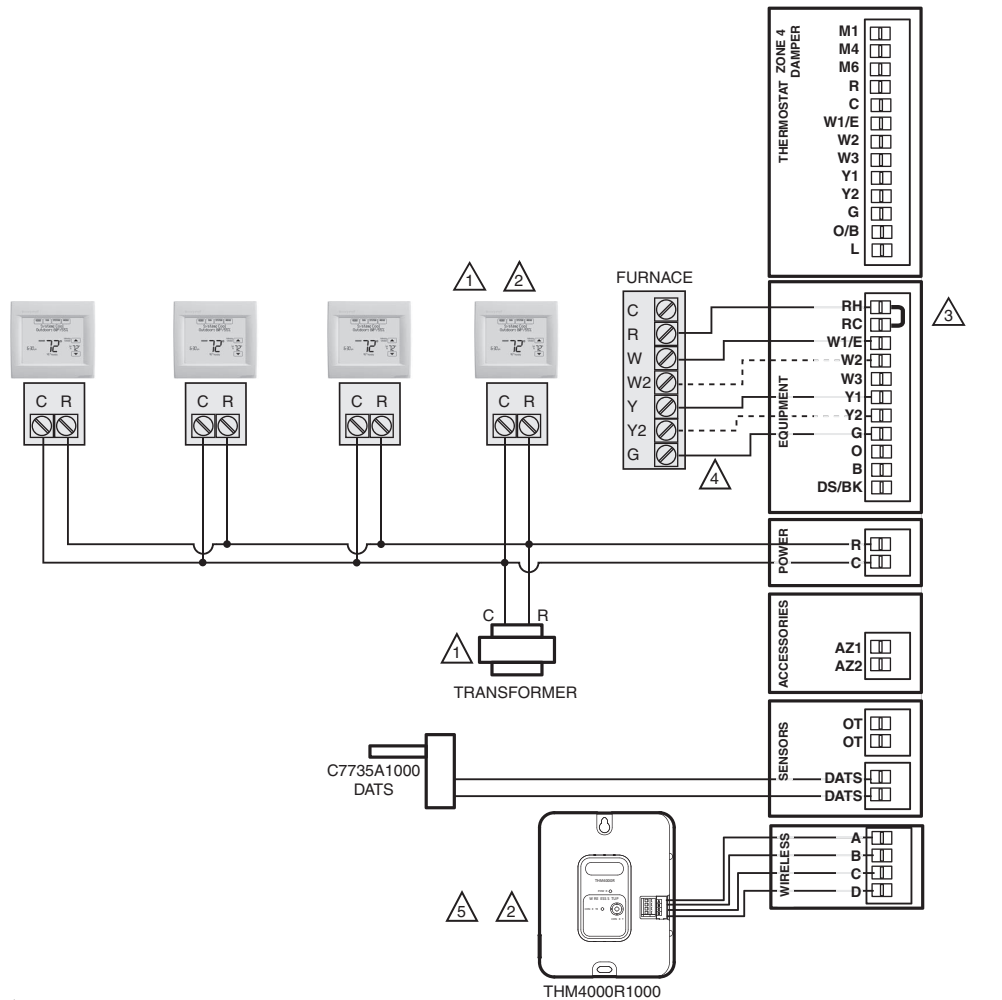
Wiring 2 TR21-A sensors (10k ohm) for temperature averaging network. Select 20K in the Installer Setup (ISU 503) when using 2 TR21-A sensors in series. Note: The TR21-A sensor must be used in combination with TR21 or TR21-A sensor.



**Fig. 346. Wiring 2 TR21-A sensors.**

# ZONING

The following diagrams show the wiring for zoning with different IAQ equipment.



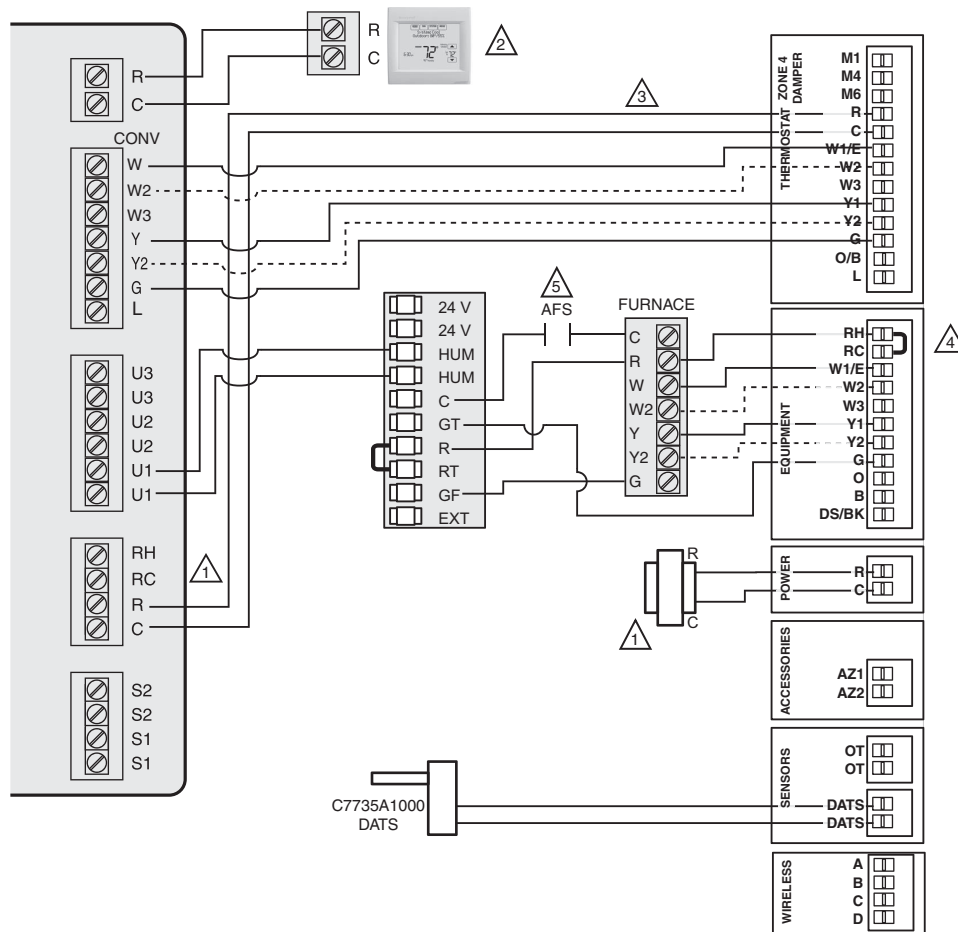
- 1 VISIONPRO THERMOSTATS CAN BE POWERED BY ANY TRANSFORMER. IN THIS EXAMPLE THEY ARE POWERED BY THE SAME TRANSFORMER THAT POWERS THE HZ432.
- 2 THERE CAN BE UP TO 4 VISIONPRO THERMOSTATS USED WITH A SINGLE THM4000R WIRELESS ADAPTER AND HZ432 ZONE PANEL. THE THM4000R CANNOT BE USED IF THERE ARE MORE THAN 4 ZONES IN THE SYSTEM.
- 3 RH/RC JUMPER INSTALLED WHEN SINGLE HEAT/COOL TRANSFORMER IS USED.
- 4 DOTTED LINES APPLY ONLY TO MULTI-STAGE EQUIPMENT. SEE HZ432 INSTALLATION INSTRUCTIONS FOR HEAT PUMP WIRING.
- 5 A THM4000R CANNOT BE USED WITH THE VISIONPRO THERMOSTAT IF THE THERMOSTAT IS CONTROLLING HUMIDIFICATION, DEHUMIDIFICATION, OR VENTILATION.

M34527

**Fig. 347. RedLINK VisionPRO thermostats with an HZ432 zone panel and no IAQ control.**



## Zoning and Humidification



- 1 A DEDICATED TRANSFORMER SHOULD POWER THE HZ432. IF A DIFFERENT TRANSFORMER IS USED TO POWER THE EIM, THE JUMPER FROM R TO RH NEEDS TO BE REMOVED AND THE RH AND RC FROM EIM GETS WIRED TO R ON THE ZONE THAT THE EIM IS WIRED TO.
- 2 THE VISIONPRO THERMOSTAT CAN BE POWERED FROM ANY TRANSFORMER. IN THIS EXAMPLE IT IS WIRED BACK TO THE EIM.
- 3 DOTTED LINES ONLY APPLY TO MULTI-STAGE EQUIPMENT. SEE HZ432 INSTALLATION INSTRUCTIONS FOR HEAT PUMP WIRING.
- 4 RH/RC JUMPER INSTALLED WHEN SINGLE HEAT/COOL TRANSFORMER IS USED.
- 5 TO SIMPLIFY THE DIAGRAM, THE VISIONPRO IS CONTROLLING ZONE 4 BECAUSE IT IS LOCATED ON THE SAME SIDE OF THE EQUIPMENT WIRING ON THE PANEL. THE VISIONPRO COULD BE WIRED TO ANY ZONE ON THE HZ432 AND IS MOST COMMONLY WIRED TO ZONE 1.

M34528

**Fig. 348. RedLINK VisionPRO thermostat controlling one zone with an HZ432 zone panel and a TrueSTEAM humidifier.**

### Setting up Humidification Control on RedLINK VisionPRO Thermostats

Select the terminals wired to the humidifier at ISU 803 (U1, U2, U3). In Fig. 348, the humidifier is wired to U1. To humidify in all zones, set ISU 807 Humidifier Control to “Hum Controls Fan.” Call Honeywell zoning at 1-800-828-8367 if you need assistance with the zoning controls.

## Zoning and Ventilation

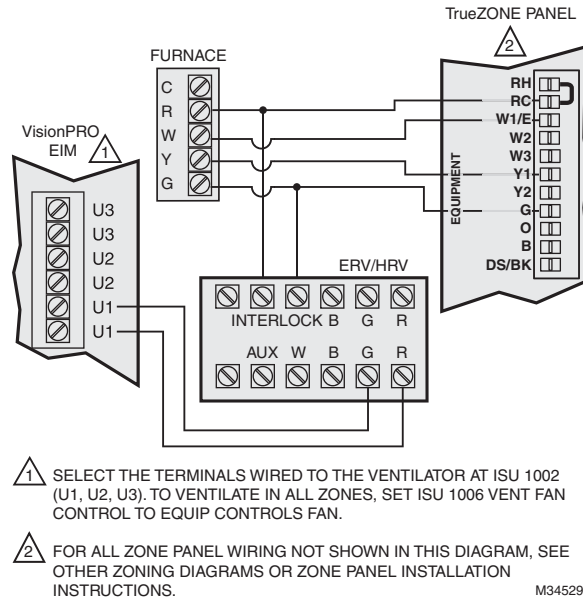


Fig. 349. RedLINK VisionPRO thermostat with an HZ432 zone panel and a ventilator.

### Setting up Ventilation Control on RedLINK VisionPRO Thermostats

Select the terminals wired to the ventilator at ISU 1002 (U1, U2, U3). In Fig. 349, the ventilator is wired to U1. To ventilate in all zones, set ISU 1006 Vent Fan Control to “Equip Controls Fan.”

### TrueDRY dehumidifier with Zoning

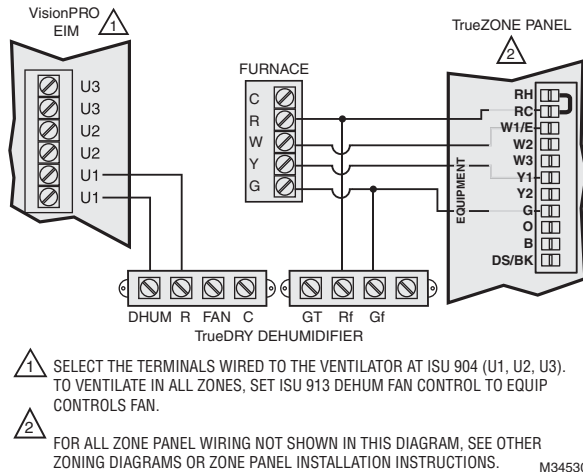


Fig. 350. RedLINK VisionPRO thermostat with an HZ432 zone panel and a TrueDRY dehumidifier.

### Setting up Dehumidification Control on RedLINK VisionPRO Thermostats

Select the terminals wired to the dehumidifier at ISU 904 (U1, U2, U3). In Fig. 350, the dehumidifier is wired to U1. To dehumidify in all zones, set ISU 913 Dehum Fan Control to “Equip Controls Fan.”

## Zoning FAQs

**Q:** How does the RedLINK VisionPRO thermostat control a humidifier in zoned systems?

**A:** If ISU 807 Humidifier Control is set to Tstat Controls Fan, then the zone panel will close the dampers for the other zones with a call for humidification.

If ISU 807 Humidifier Control is set to Hum Controls Fan, then all dampers will be open with a call for humidification (unless another zone is calling for heat, cool or fan at that time).

See Fig. 348.

**Q:** How does the RedLINK VisionPRO thermostat control a ventilator in zoned systems?

**A:** If ISU 1006 Vent Fan Control is set to Tstat Controls Fan, then the zone panel will close the dampers for the other zones with a call for ventilation.

If ISU 1006 Vent Fan Control is set to Equip Controls Fan, then all dampers will be open with a call for ventilation (unless another zone is calling for heat, cool or fan at that time).

See Fig. 349.

**Q:** How does the RedLINK VisionPRO thermostat control a dehumidifier in zoned systems?

**A:** If ISU 913 Dehum Fan Control is set to Tstat Controls Fan, then the zone panel will close the dampers for the other zones with a call for dehumidification.

If ISU 913 Dehum Fan Control is set to Equip Controls Fan, then all dampers will be open with a call for dehumidification (unless another zone is calling for heat, cool or fan at that time).

See Fig. 350.

**Q:** Will the RedLINK VisionPRO thermostat work with a zone panel?

**A:** It depends on the zone panel:

- **HZ322 or HZ432 (without an add-a-zone):** If you have an HZ322 or HZ432 on a 2-4 zone system and you are not going to control a humidifier, dehumidifier, or ventilator with the thermostat, you can use a THM4000R1000 wireless adapter with the zone panel and connect the RedLINK VisionPRO thermostat as one of the zones. A single THM4000R1000 wireless adapter allows you to connect up to three RedLINK VisionPRO thermostats with an HZ322 or up to four RedLINK VisionPRO thermostats with an HZ432.
- **HZ432 (with a TAZ-4 add-a-zone):** You cannot use a wireless adapter when a TAZ-4 is used. Each RedLINK VisionPRO thermostat used would need a separate THM5421R Equipment Interface Module or you can wire the RedLINK VisionPRO directly to the zone panel. The Equipment Interface Module would wire to the zone it is controlling on the HZ432 or TAZ-4.
- **Zone panel with no master or slave:** As long as all zones on the zone panel are wired the same and they use typical terminals with an R and C plus Y, G, etc, the RedLINK VisionPRO thermostat should work. Each RedLINK VisionPRO thermostat used would need a separate THM5421R Equipment Interface Module or you can wire the RedLINK VisionPRO directly to the zone panel. The Equipment Interface Module would wire to the zone it is controlling on the zone panel.
- **Master zone:** A master uses separate O and B wires. The RedLINK VisionPRO thermostat cannot be used as a master thermostat.

**Q:** Can I use the remote indoor sensors with the RedLINK VisionPRO thermostats if I have zoning?

**A:** It depends. The RedLINK VisionPRO thermostats can only control 1 zone, even if it is used with multiple sensors. The RedLINK VisionPRO thermostat cannot be used with a remote sensor if it is used with a THM4000R adapter. The RedLINK VisionPRO thermostat can be used with a remote sensor if it is used with a THM5421R Equipment Interface Module or if the thermostat is wired directly to the panel.

**Q:** Can I use a telephone access module with the RedLINK VisionPRO thermostat?

**A:** No. The telephone access module only works with the TH9421C or TH5320C communicating thermostats and the EIM or zone panel used with those controls. See the Gateway section for information on using RedLINK VisionPRO thermostats with a THM6000R Gateway for Internet access.

## TROUBLESHOOTING

Table 13. Troubleshooting.

Symptom	Action
Screen is blank	<ul style="list-style-type: none"> <li>• Check circuit breaker and reset if necessary.</li> <li>• Make sure power switch at heating and cooling system is on.</li> <li>• Make sure furnace door is closed securely.</li> <li>• If thermostat is battery powered, make sure fresh AA alkaline batteries are installed correctly.</li> </ul>
Screen is difficult to read	<ul style="list-style-type: none"> <li>• Change screen brightness using Preferences menu.</li> </ul>
Red light is on	<ul style="list-style-type: none"> <li>• If thermostat is in Emergency Heat mode, the red light is normal. It shows that the thermostat is in Emergency Heat mode.</li> <li>• If thermostat is not in Emergency Heat mode, an alert is active. Check message on the thermostat screen.</li> </ul>
Heating or cooling system does not respond	<ul style="list-style-type: none"> <li>• Touch SYSTEM to set system to Heat. Make sure the temperature is set higher than the Inside temperature.</li> <li>• Touch SYSTEM to set system to Cool. Make sure the temperature is set lower than the Inside temperature.</li> <li>• Check circuit breaker and reset if necessary.</li> <li>• Make sure power switch at heating &amp; cooling system is on.</li> <li>• Make sure furnace door is closed securely.</li> <li>• If "Wait" is displayed, the compressor protection timer is on. Wait 5 minutes for the system to restart safely, without damaging the compressor.</li> </ul>

## REGULATORY INFORMATION

### FCC Compliance Statement (Part 15.19) (USA only)

This device complies with Part 15 of the FCC Rules. Operation is subject to the following two conditions:

1. This device may not cause harmful interference, and
2. This device must accept any interference received, including interference that may cause undesired operation.

### FCC Warning (Part 15.21) (USA only)

Changes or modifications not expressly approved by the party responsible for compliance could void the user's authority to operate the equipment.

### FCC Interference Statement (Part 15.105 (b)) (USA only)

This equipment has been tested and found to comply with the limits for a Class B digital device, pursuant to Part 15 of the FCC Rules. These limits are designed to provide reasonable protection against harmful interference in a residential installation. This equipment generates uses and can radiate radio frequency energy and, if not installed and used in accordance with the instructions, may cause harmful interference to radio communications. However, there is no guarantee that interference will not occur in a particular installation. If this equipment does cause harmful interference to radio or television reception, which can be determined by turning the equipment off and on, the user is encouraged to try to correct the interference by one of the following measures:

- Reorient or relocate the receiving antenna.
- Increase the separation between the equipment and receiver.

### Automation and Control Solutions

Honeywell International Inc.  
1985 Douglas Drive North  
Golden Valley, MN 55422  
customer.honeywell.com

- Connect the equipment into an outlet on a circuit different from that to which the receiver is connected.
- Consult the dealer or an experienced radio/TV technician for help.

### Equipment interface module, thermostats and outdoor sensor

To comply with FCC and Industry Canada RF exposure limits for general population/ uncontrolled exposure, the antenna(s) used for these transmitters must be installed to provide a separation distance of at least 20 cm from all persons and must not be co-located or operating in conjunction with any other antenna or transmitter.

### Portable Comfort Control

This portable transmitter with its antenna complies with FCC and Industry Canada RF exposure limits for general population/uncontrolled exposure. This device must not be co-located or operating in conjunction with any other antenna or transmitter.

### Section 7.1.2 of RSS-GEN

Under Industry Canada regulations, this radio transmitter may only operate using an antenna of type and maximum (or lesser) gain approved for the transmitter by Industry Canada. To reduce potential radio interference to other users, the antenna type and its gain should be so chosen that the equivalent isotropically radiated power (e.i.r.p.) is not more than that necessary for successful communication.

### Section 7.1.3 of RSS-GEN

Operation is subject to the following two conditions:

1. this device may not cause interference, and
2. this device must accept any interference, including interference that may cause undesired operation of the device.

# Honeywell