

MP958A Pneumatic Valve Actuator

INSTALLATION INSTRUCTIONS

SPECIFICATIONS

IMPORTANT:

The specifications given in this publication do not include normal manufacturing tolerances. Therefore, an individual unit may not exactly match the listed specifications. Also, this product is tested and calibrated under closely controlled conditions and some minor differences in performance can be expected if those conditions are changed.

Model:

MP958A.

Operating Pressure Ranges:

- 2 to 5 psi [14 to 35 kPa].
- 3 to 10 psi [21 to 69 kPa].
- 8 to 11 psi [55 to 76 kPa].

Air Connection:

Push-on connector for 1/4 in. [6 mm] O. D. plastic tubing.

Maximum Safe Air Pressure:

30 psi [207 kPa].

Maximum Diaphragm Temperature:

230 F [110 C].

Close-off ratings:

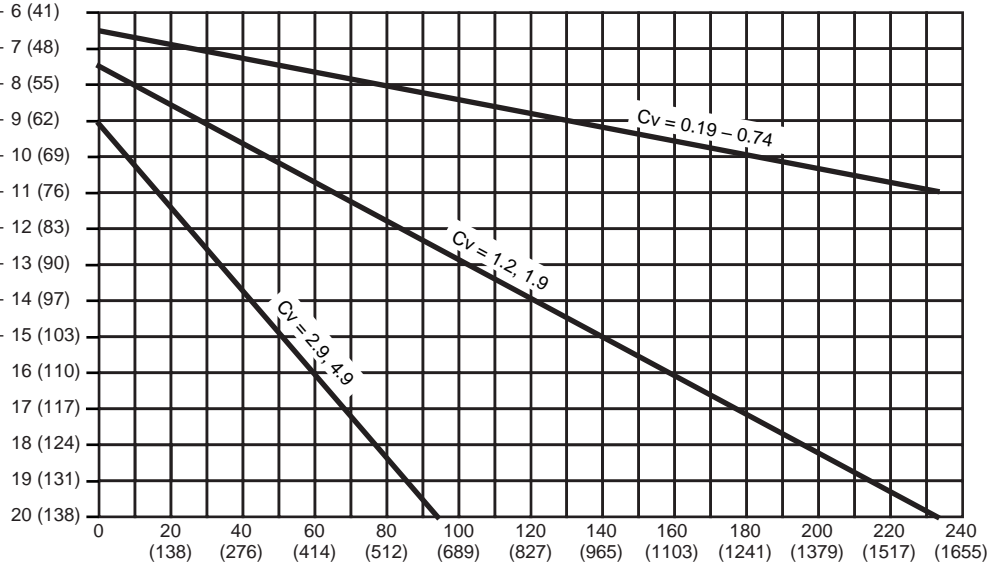


The MP958A Pneumatic Valve Actuator is direct-acting and used only with Honeywell-Braukmann V5852A2xx, V5862A2xx, V5853A2xx, and V5863A2xx Terminal Unit Valves to control hot and/or chilled water.

OPERATING RANGE IN PSI (kPa)

8 - 11 (55 - 76)	3 - 10 (21 - 69)	2 - 5 (14 - 35)
12 (83)	11 (76)	6 (41)
13 (90)	12 (83)	7 (48)
14 (97)	13 (90)	8 (55)
15 (103)	14 (97)	9 (62)
16 (110)	15 (103)	10 (69)
17 (117)	16 (110)	11 (76)
18 (124)	17 (117)	12 (83)
19 (131)	18 (124)	13 (90)
20 (138)	19 (131)	14 (97)
	20 (138)	15 (103)
		16 (110)
		17 (117)
		18 (124)
		19 (131)
		20 (138)

CONTROL AIR PRESSURE IN PSI (kPa)



CLOSE-OFF RATING IN PSI (kPa)

C8105



BEFORE INSTALLATION

Ensure that the actuator operating pressure range is correct. Ensure that there is adequate clearance at valve location for mounting and piping actuator (Fig. 1).

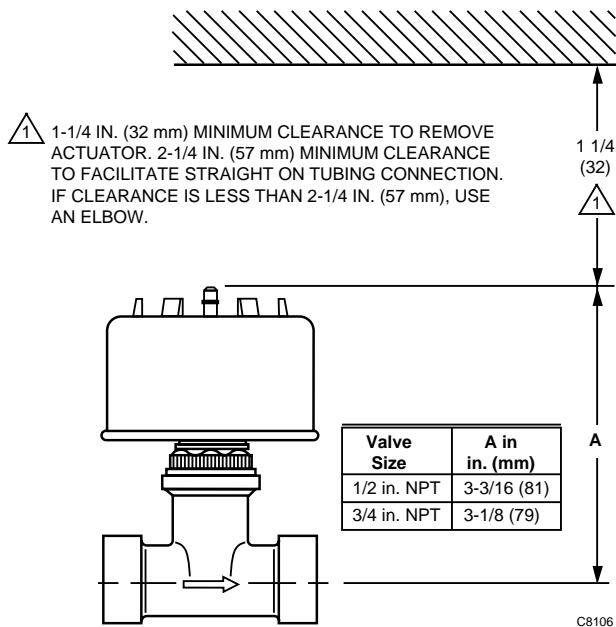


Fig. 1. Rough in Dimensions for MP958A actuator with V5852Axx Valve Body.

INSTALLATION

Mounting

No tools are required to mount the MP958A actuator on a valve. Using a wrench to tighten the actuator could damage the actuator or the valve.

- ① Pipe the valve.
- ② Remove (unscrew) the protective cover from the valve .
- ③ Screw the actuator onto the body of the valve, hand tight only.

Piping

Using 1/4 in. (6 mm) plastic tubing, connect the actuator to the branch line of the pneumatic thermostat or controller.

Home and Building Control

Honeywell Inc.
Honeywell Plaza
P.O. Box 524
Minneapolis, MN 55408-0524

Home and Building Control

Honeywell Limited-Honeywell Limitée
740 Ellesmere Road
Scarborough, Ontario
M1P 2V9

Helping You Control Your World

