



V246 Series Two-Way Pressure-Actuated Water-Regulating Valves for High-Pressure Refrigerants Catalog Page

LIT-1900575

2019-06-13

Description

The V246 Series Two-Way Pressure-Actuated Water-Regulating Valves for High-Pressure Refrigerants come in two types of control action: direct acting and reverse acting. V246 valves regulate water flow to control refrigerant head pressure in systems with water-cooled condensers.

The V246 Series Valves are available in 3/8 in. through 2 in. sizes and have a maximum allowable water pressure of 150 psig (10.3 bar). Direct acting V246 valves have an adjustable opening point in a refrigerant pressure range of 200 to 400 psi (13.8 to 27.6 bar), and reverse acting valves have a range of 135 to 300 psi (9.3 to 20.7 bar). V246 valves may be used with standard non-corrosive refrigerants.

Maritime models, which have nickel copper (Monel®) internal parts, are available for applications where the media may be corrosive to the internal parts.

Refer to the *V246 Series 2-Way Pressure-Actuated Water-Regulating Valves for High-Pressure Refrigerants Product Bulletin (LIT-12011514)* for important product application information.

Figure 1: V246 Series Water-Regulating Valve



Features

- no close fitting or sliding parts in water passages
- accessible range spring
- take-apart construction
- pressure-balanced design
- corrosion-resistant material for internal parts

Repair information

If the V246 Series Two-Way Pressure-Actuated Water-Regulating Valve for High Pressure Refrigerants fails to operate within its specifications, refer to the *V246 Series Two-Way Pressure-Actuated Water-Regulating Valves for High Pressure Refrigerants Product Bulletin (LIT-12011514)* for a list of repair parts available.

Warning

Warning

This product is made of copper alloy, which contains lead. The product is therefore not to be used on drinking water.

Selection charts

Table 1: North American Standard Production Models

Product Code Number	Construction	Valve Size and Connection	Element Style	Shipping Weight, lb (kg)
V246GA1-001C	Direct Acting ¹ , Commercial	3/8 in. NPT Screw	Style 5	1.8 (0.8)
V246GB1-001C	Direct Acting ¹ , Commercial	1/2 in. NPT Screw	Style 5	3.0 (1.4)
V246GC1-001C	Direct Acting ¹ , Commercial	3/4 in. NPT Screw	Style 5	3.7 (1.7)
V246GD1-001C	Direct Acting ¹ , Commercial	1 in. NPT Screw	Style 5	9.3 (4.2)
V246GE1-001C	Direct Acting ¹ , Commercial	1-1/4 in. NPT Screw	Style 5	10 (4.5)
V246GM1-001C	Direct Acting ¹ , Commercial	1-1/4 in. Union Sweat	Style 5	10 (4.5)
V246GR1-001C	Direct Acting ¹ , Commercial	1-1/2 in. Flange	Style 5	13.6 (6.2)
V246GS1-001C	Direct Acting ¹ , Commercial	2 in. Flange	Style 5	27 (12.3)
V246HA1-001C	Direct Acting ¹ , Maritime	3/8 in. NPT Screw	Style 5	1.8 (0.8)
V246HB1-001C	Direct Acting ¹ , Maritime	1/2 in. NPT Screw	Style 5	3.0 (1.4)
V246HC1-001C	Direct Acting ¹ , Maritime	3/4 in. NPT Screw	Style 5	4.3 (2.0)
V246HD1-001C	Direct Acting ¹ , Maritime	1 in. NPT Screw	Style 5	9.5 (4.3)
V246HE1-001C	Direct Acting ¹ , Maritime	1-1/4 in. NPT Screw	Style 5	10.3 (4.7)
V246HR1-001C	Direct Acting ¹ , Maritime	1-1/2 in. American Society of Mechanical Engineers (ASME) Flange	Style 5	13.6 (6.2)
V246HS1-001C	Direct Acting ¹ , Maritime	2 in. ASME Flange	Style 5	27 (12.3)
V246KA1-001C	Direct Acting ¹ , Commercial, Low Flow	3/8 in. NPT Screw	Style 5	1.8 (0.8)
V246NA1-001C	Reverse Acting ² , Commercial	3/8 in. NPT Screw	Style 5	1.8 (0.8)
V246NB1-001C	Reverse Acting ² , Commercial	1/2 in. NPT Screw	Style 5	3.0 (1.4)
V246NC1-001C	Reverse Acting ² , Commercial	3/4 in. NPT Screw	Style 5	3.7 (1.7)
V246ND1-001C	Reverse Acting ² , Commercial	1 in. NPT Screw	Style 5	9.3 (4.2)

1 The range is 200 to 400 psi (13.8 to 27.6 bar).

2 The range is 135 to 300 psi (9.3 to 20.7 bar).

Table 2: European Standard Production Models

Product Code Number	Construction	Valve Size and Connection	Element Style	Shipping Weight, kg (lb)
V246GA1A001C	Direct Acting, Commercial	3/8 in. British Standard Pipe Parallel (BSPP) Screw, ISO 228	Style 5	0.8 (1.8)
V246GB1A001C	Direct Acting, Commercial	1/2 in. BSPP Screw, ISO 228	Style 5	1.4 (3.0)
V246GC1A001C	Direct Acting, Commercial	3/4 in. BSPP Screw, ISO 228	Style 5	1.7 (3.7)
V246GD1B001C	Direct Acting, Commercial	1 in. British Standard Pipe Taper (BSPT) Screw, ISO 7	Style 5	4.2 (9.3)
V246GE1B001C	Direct Acting, Commercial	1-1/4 in. BSPT Screw, ISO 7	Style 5	4.5 (10)
V246GR1B001C	Direct Acting, Commercial	1-1/2 in. Flange, DIN2533	Style 5	6.2 (13.6)
V246GS1B001C	Direct Acting, Commercial	2 in. Flange, DIN2533	Style 5	12.3 (27)
V246HA1B001C	Direct Acting, Maritime	3/8 in. BSPP Screw, ISO 228	Style 5	0.8 (1.8)
V246HB1B001C	Direct Acting, Maritime	1/2 in. BSPP Screw, ISO 228	Style 5	1.4 (3.0)

Table 2: European Standard Production Models

Product Code Number	Construction	Valve Size and Connection	Element Style	Shipping Weight, kg (lb)
V246HC1B001C	Direct Acting, Maritime	3/4 in. BSPP Screw, ISO 228	Style 5	2.0 (4.3)
V246HD1B001C	Direct Acting, Maritime	1 in. BSPP Screw, ISO 228	Style 5	4.3 (9.5)
V246HE1B001C	Direct Acting, Maritime	1-1/4 in. BSPP Screw, ISO 228	Style 5	4.7 (10.3)
V246HR1B001C	Direct Acting, Maritime	1-1/2 in. Flange, DIN86021	Style 5	6.2 (13.6)
V246HS1B001C	Direct Acting, Maritime	2 in. Flange, DIN86021	Style 5	12.3 (27)

Valve sizing information

Each application is unique and requires specific engineering data to properly size and design a system to fulfill the appropriate requirements. Typically, a valve is replaced with another valve of the same size in a properly sized and engineered system.

In North America, contact Johnson Controls/PENN® Refrigeration Application Engineering at 1-800-275-5676 to obtain specific engineering data. In other areas, contact the local Johnson Controls® sales office to obtain specific engineering data.

To make a rough field estimate of the size of valve for an application, find the valve size needed by locating a point on a flow chart that satisfies these requirements:

- water flow required by the condenser (**Flow**)
- refrigerant head pressure rise (**PRISE**)
- available water pressure (**PAVAIL**)

Follow these steps, and use the information obtained to locate a point on one of the flowcharts that satisfies all three steps.

1. Take the water flow required by the condenser (**Flow**) from information provided by the manufacturer of the condensing unit. If the manufacturer's information is unavailable, use the following information to make a rough approximation of water flow in gallons per minute (gpm) [cubic meters per hour (m³/hr)]:
 - System Capacity (**Tons of Refrigeration**)
 - Outlet Water Temperature (**Temp. Outlet**)
 - Inlet Water Temperature (**Temp. Inlet**)

Calculate the flow using the following formula:

Figure 2: Flow Required

$$\text{Flow} = \frac{\text{Tons of Refrigeration} \times 30}{(\text{Temp.}_{\text{Outlet}} - \text{Temp.}_{\text{Inlet}})}$$

- ⓘ **Note:** If the outlet temperature is unknown, assume it to be 10F° (6C°) above the inlet temperature.

2. Determine refrigerant head pressure rise above the valve opening point (**PRISE**) using the Refrigerant Head Pressure Rise figure and the following steps:
 - a. The **Valve Closing Pressure (PCLOSE)** is equal to the refrigerant pressure at the highest ambient temperature the refrigeration equipment experiences in the Off cycle. Use a Pressure-Temperature Chart for the refrigerant selected to find this pressure.
 - b. To approximate the **Valve Opening Pressure (POPEN)**, add about 10 psi (0.7 bar) to the Valve Closing Pressure.

ⓘ **Note:** Add about 20 psi (1.4 bar) for 3/8 in. valves.

Figure 3: Valve Opening Pressure

$$P_{\text{OPEN}} = P_{\text{CLOSE}} + 10 \text{ psi (0.7 bar)}$$

- c. From the Pressure-Temperature Chart for the refrigerant selected, read the **Refrigerant Condensing Pressure (PCOND)** (operating head pressure) corresponding to the selected condensing temperature.
- d. Subtract the Valve Opening Pressure from the Refrigerant Condensing Pressure. This gives the head pressure rise.

Figure 4: Refrigerant Head Pressure Rise

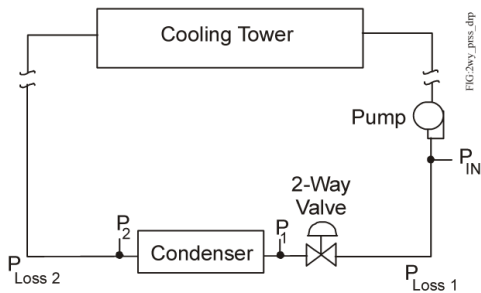
$$P_{\text{RISE}} = P_{\text{COND}} - P_{\text{OPEN}}$$

3. Determine the available water pressure to the valve (**PAVAIL**) using the following steps. This is the actual water pressure available to force water through the valve.
 - a. Determine the inlet pressure (**PIN**). This is the water pressure from city water mains, pumps, or other sources.
 - b. Pressure drop through condenser (**ΔPCOND**) is the difference in water pressure between the condenser inlet and the condenser outlet. Obtain this information from the condenser manufacturer.

- c. Estimate or calculate the pressure drop through all associated piping (P_{LOSS}).
- d. Subtract the ΔP_{COND} and P_{LOSS} from P_{IN} . The result is P_{AVAIL} .

4. Select the proper valve size from the flowcharts by locating a point on a chart that satisfies the flow, the head pressure rise above opening point, and the pressure drop across the valve.

Figure 5: Available Water Pressure



$$\Delta P_{COND} = P_1 - P_2$$

$$P_{LOSS} = P_{Loss 1} + P_{Loss 2} + \dots$$

$$P_{AVAIL} = P_{IN} - (\Delta P_{COND} + P_{LOSS})$$

Metric conversions

Use these equations to convert between U.S. and S.I. units.

- $1 \text{ dm}^3/\text{s} = 3.6 \text{ m}^3/\text{h} = 15.9 \text{ U.S. gal. /min.} = 13.2 \text{ U.K. gal. /min.}$
- $1 \text{ bar} = 100 \text{ kPa} = 0.1 \text{ MPa} = 1.02 \text{ kg/cm}^2 = 0.987 \text{ atm} = 14.5 \text{ psi}$

V246 Flowcharts

The maximum recommended differential water pressure across a valve is 60 psig (4.1 bar).

Figure 6: 3/8 in. Direct Acting Low-Flow Valve Flowchart

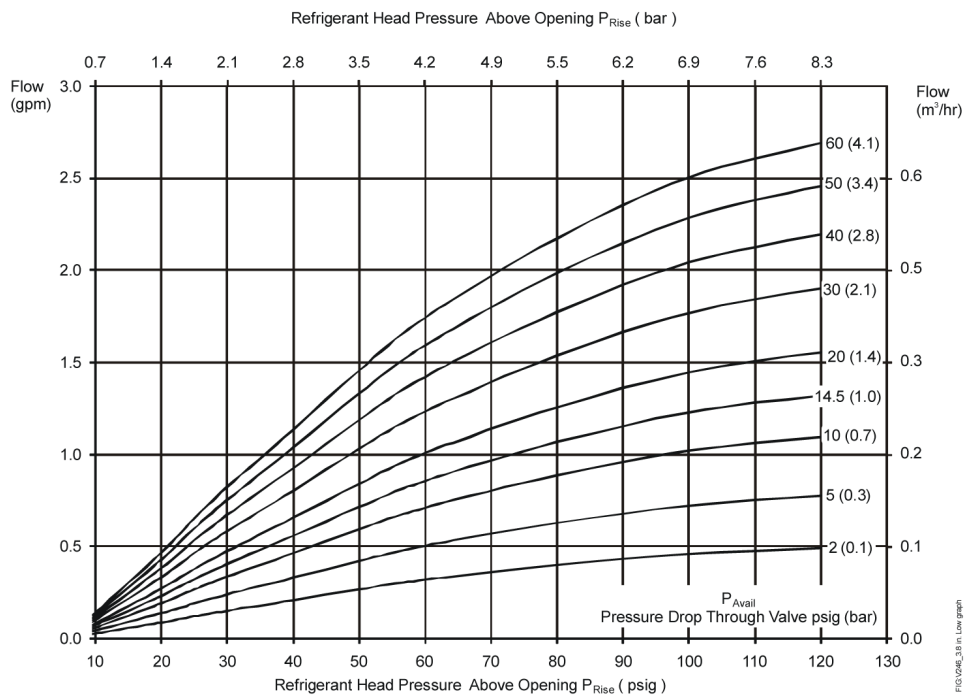


Figure 7: 3/8 in. Direct Acting Valve Flowchart

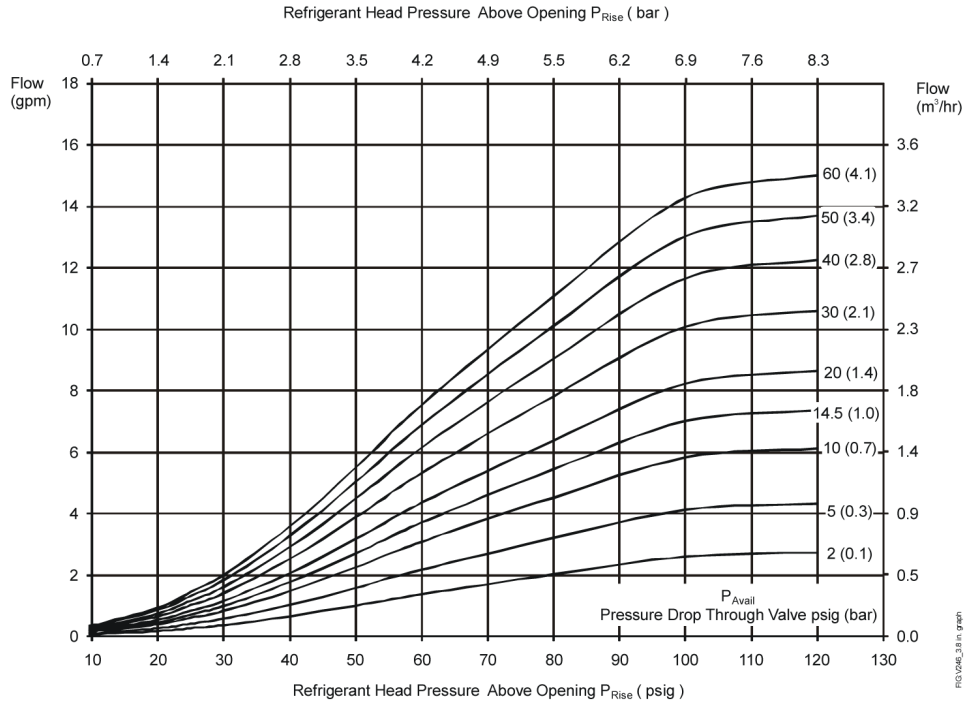


Figure 8: 1/2 in. Direct Acting Valve Flowchart

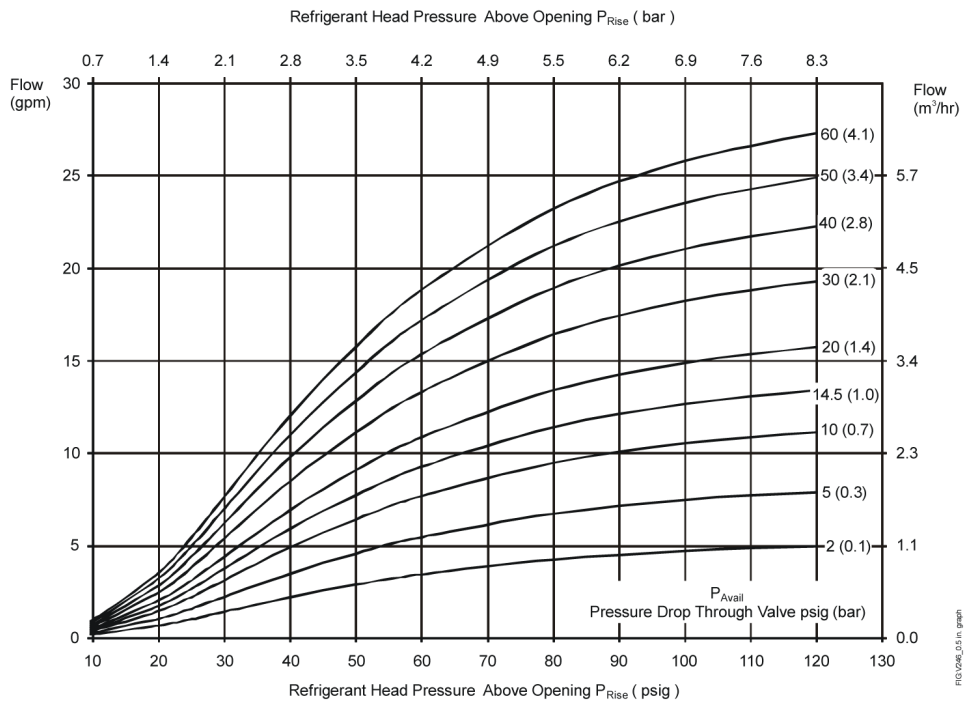


Figure 9: 3/4 in. Direct Acting Valve Flowchart

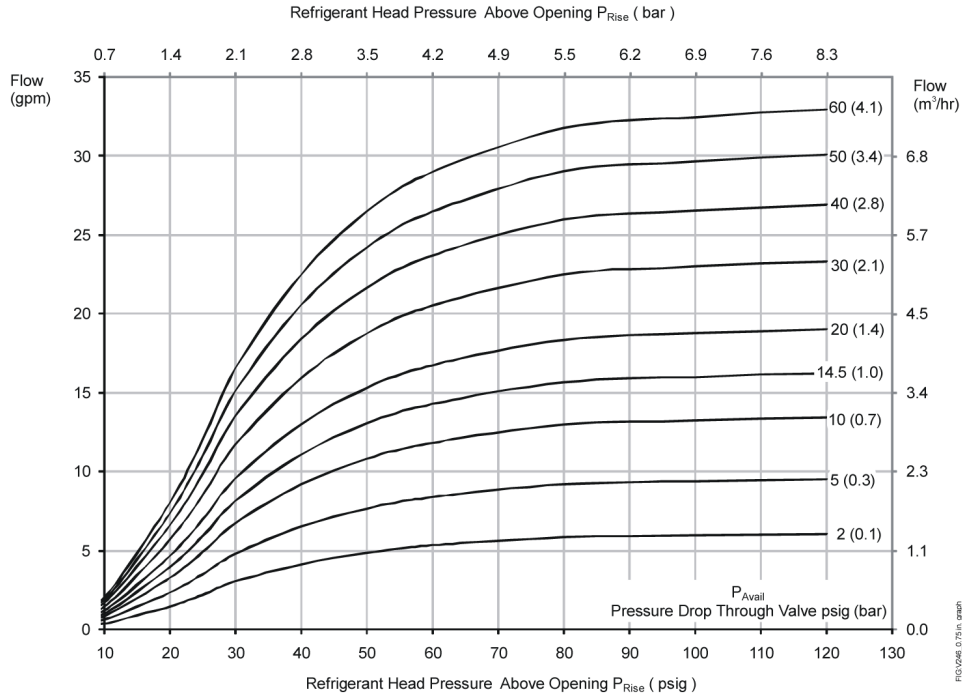


Figure 10: 1 in. Direct Acting Valve Flowchart

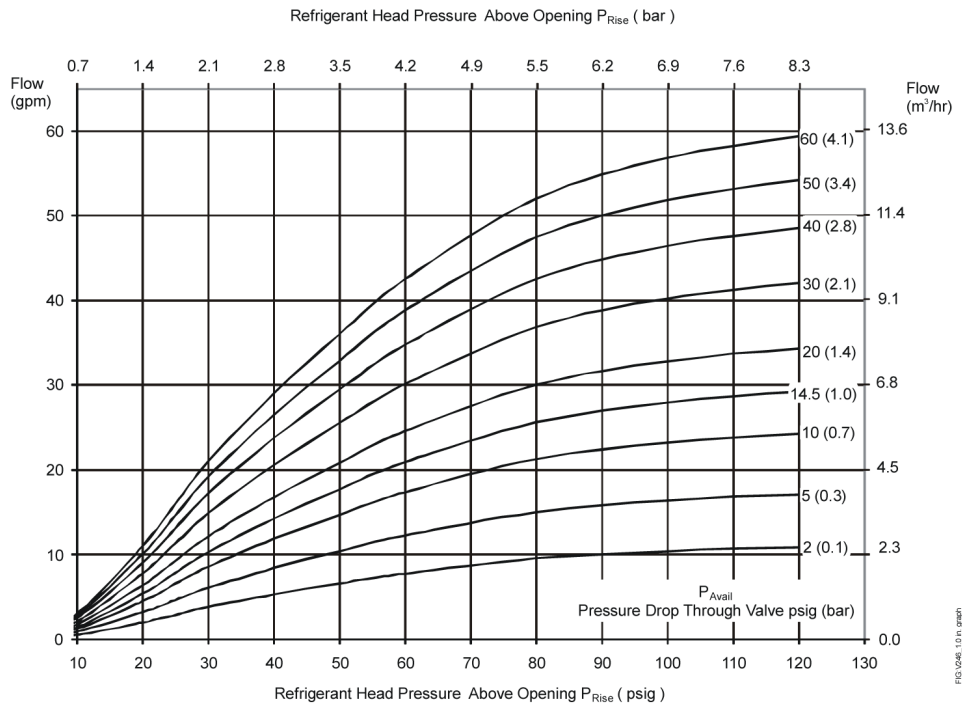


Figure 11: 1-1/4 in. Direct Acting Valve Flowchart

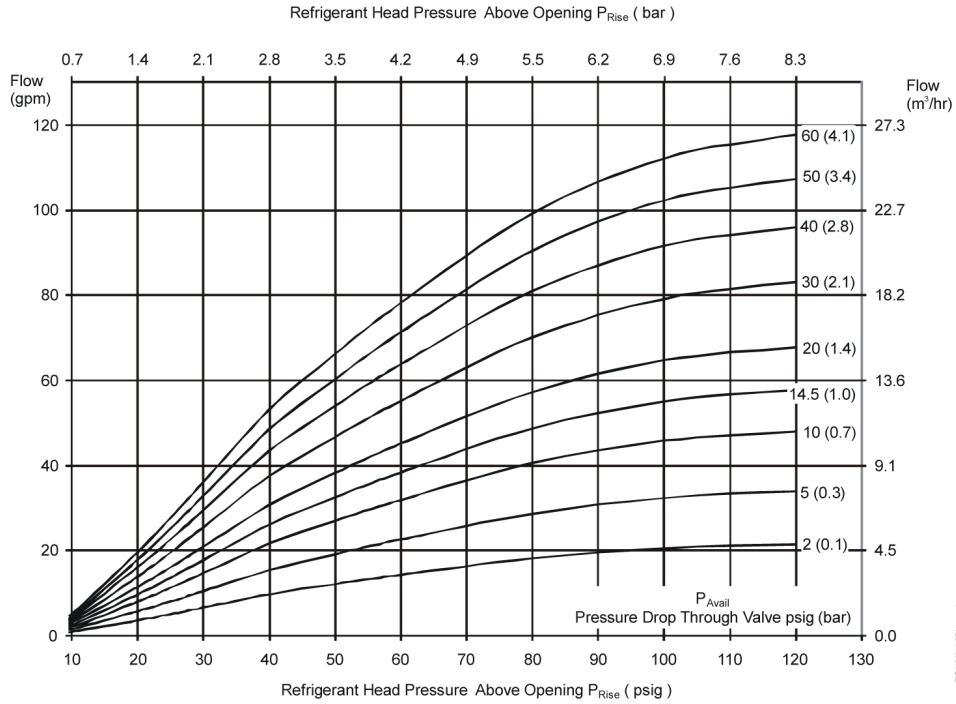


Figure 12: 1-1/2 in. Direct Acting Valve Flowchart

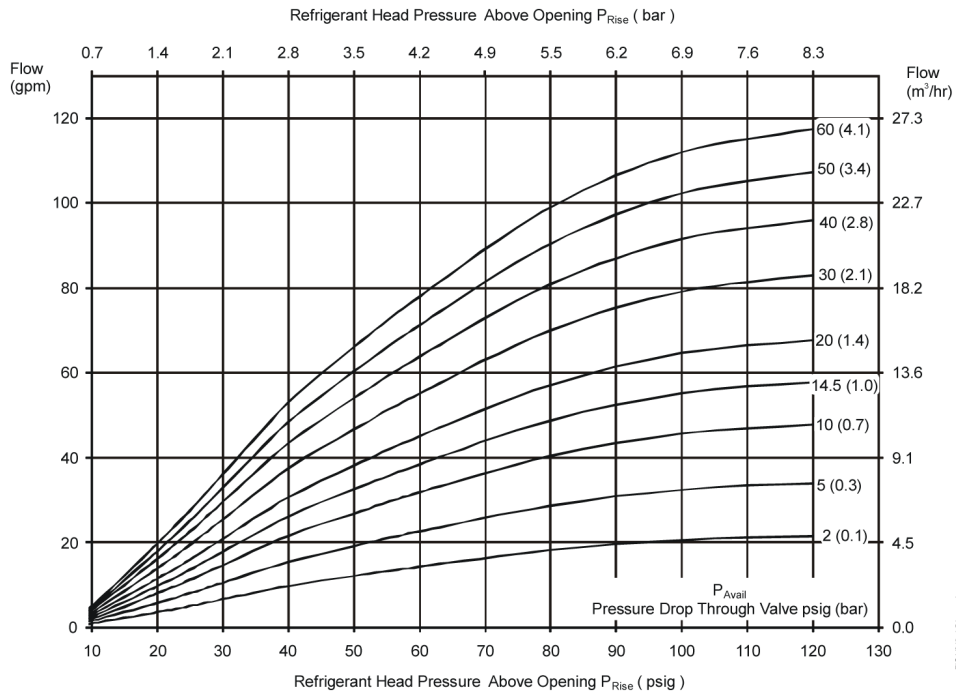
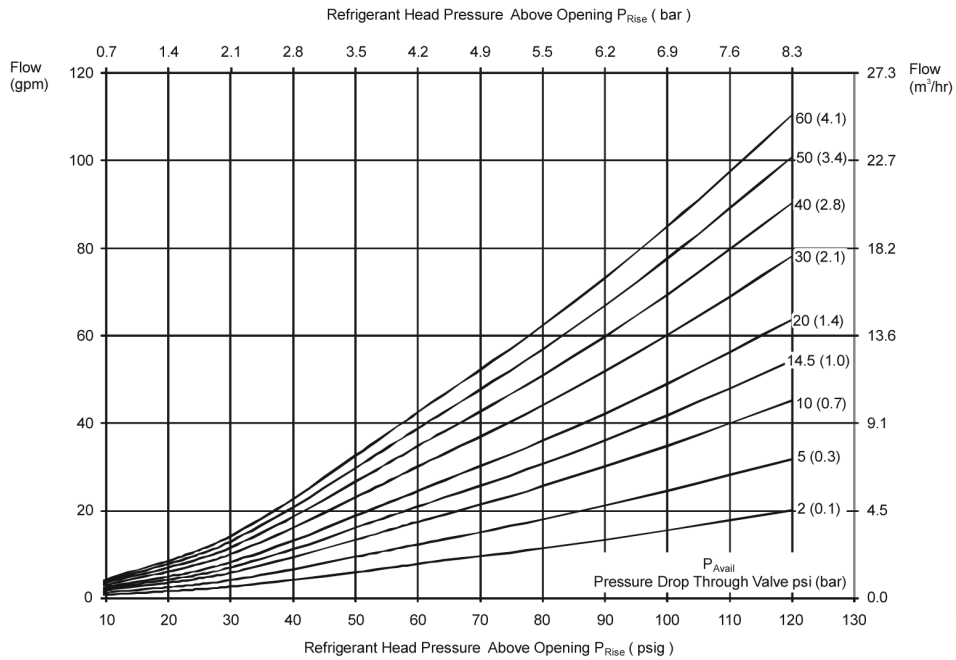


Figure 13: 2 in. Direct Acting Valve Flowchart



Dimensions

Figure 14: V246 Screw Connection Valves Dimensions

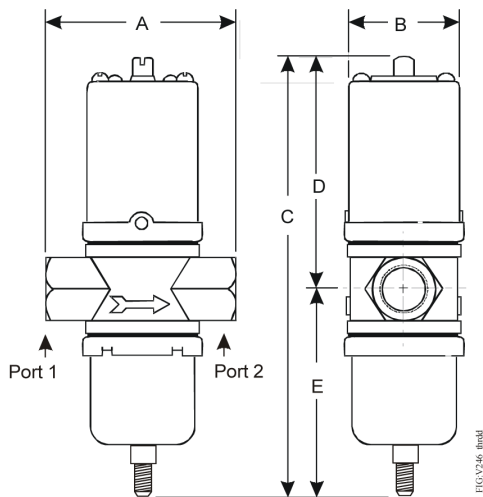


Figure 15: V246 Angle-Body Screw Connection Valves Dimensions

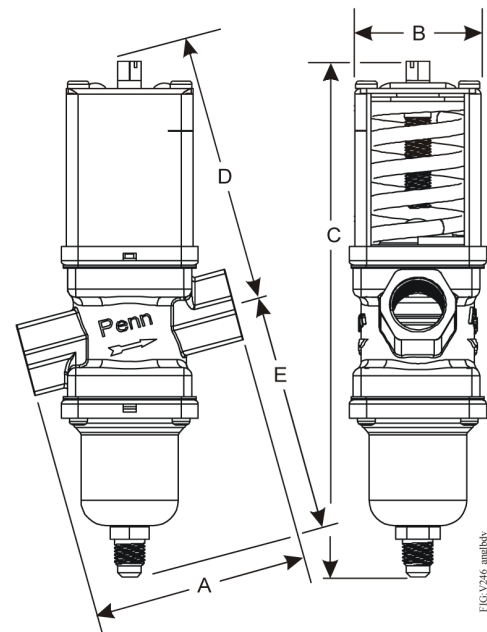


Table 3: V246 Screw Connection Valves Dimensions

Valve Size	Dimensions in Inches (Millimeters)				
	A	B	C	D	E
3/8 in.	2-5/8 (67)	1-5/8 (41)	6-1/2 (166)	3-1/2 (89)	3 (77)
1/2 in.	3-1/16 (78)	2 (51)	7-3/16 (182)	3-13/16 (96)	3-3/8 (86)
3/4 in.	3-3/8 (86)	2-3/16 (55)	8 (203)	4-3/16 (106)	3-13/16 (98)
1 in.	4-3/4 (121)	2-13/16 (71)	10-1/2 (267)	5-15/16 (151)	4-9/16 (116)
1-1/4 in.	4-3/4 (121)	2-13/16 (71)	10-7/8 (276)	6-1/8 (156)	4-3/4 (121)

Table 4: V246 Angle-Body Screw Connection Valves Dimensions

Valve Size	Dimensions in Inches (Millimeters)				
	A	B	C	D	E
3/8 in.	2-3/4 (70)	1-5/8 (41)	6-15/16 (176)	3-5/8 (92)	3-1/8 (80)
1/2 in.	3-1/8 (80)	2 (51)	7-1/2 (191)	3-7/8 (98)	3-1/2 (88)
3/4 in.	3-9/16 (90)	2-1/8 (55)	8-9/16 (217)	4-5/16 (110)	4 (101)

Figure 16: V246 Union Sweat Connection Valves Dimensions

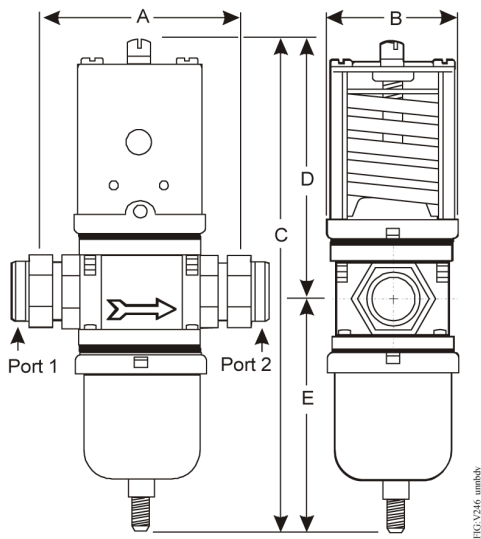


Table 5: V246 Union Sweat Connection Valves Dimensions

Valve Size	Dimensions in Inches (Millimeters)				
	A	B	C	D	E
1-1/4 in.	4-3/4 (121)	2-13/16 (71)	10-7/8 (276)	6-1/8 (156)	4-3/4 (121)

Figure 17: V246 Flange Valve Dimensions

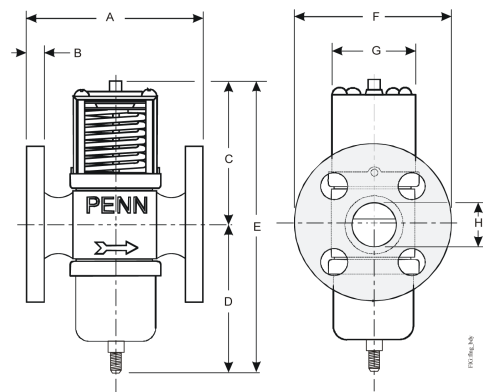


Table 6: V246 Flange Valve, Commercial Service - Dimensions

Valve Size	Dimensions in Inches (Millimeters)							
	A	B	C	D	E	F	G	H
1-1/2 in.	5-5/16 (135)	9/16 (14)	6-1/8 (156)	4-3/4 (121)	10-7/8 (276)	5-1/4 (133) ¹	2-5/8 (67)	1-7/8 (48)
2 in.	6-5/8 (168)	5/8 (16)	7-1/8 (181)	6-1/8 (156)	13-1/4 (336)	6-3/16 (157) ²	3-1/2 (89)	2-1/4 (57)

1 The dimensions on the European versions are 5-29/32 in. (150 mm).

2 The dimensions on the European versions are 6-1/2 in. (165 mm).

Table 7: V246 Flange Valve, Commercial Service - Flange Specifications

Valve Size	Regional Version	Number of Holes	Hole Size	Bolt Circle
1-1/2 in.	North American	4	5/8 in. (16 mm)	3-7/8 in. (98 mm)
2 in.			3/4 in. (19 mm)	4-3/4 in. (121 mm)
1-1/2 in.	European, DIN2533 Flanges	4	18 mm	110 mm
2 in.				125 mm

Table 8: V246 Flange Valve, Maritime Service - Dimensions

Valve Size	Dimensions in Inches (Millimeters)							
	A	B	C	D	E	F	G	H
1-1/2 in.	5-5/16 (135)	9/16 (14)	6-1/8 (156)	4-3/4 (121)	10-7/8 (276)	5-1/4 (133) ¹	2-5/8 (67)	1-7/8 (48)

Table 8: V246 Flange Valve, Maritime Service - Dimensions

Valve Size	Dimensions in Inches (Millimeters)							
	A	B	C	D	E	F	G	H
2 in.	6-3/8 (162)	5/8 (16)	7-1/8 (181)	6-1/8 (156)	13-1/4 (337)	6 (152) ²	3-1/2 (89)	2-3/4 (70)

1 The dimensions on the European versions are 5-29/32 in. (150 mm).

2 The dimensions on the European versions are 6-1/2 in. (165 mm).

Table 9: V246 Flange Valve, Maritime Service - Flange Specifications

Valve Size	Regional Version	Number of Holes	Hole Size	Bolt Circle
1-1/2 in.	North American	4	5/8 in. (16 mm)	3-7/8 in. (98 mm)
2 in.			3/4 in. (19 mm)	4-3/4 in. (121 mm)
1-1/2 in.	European, DIN86021 Flanges	4	18 mm	110 mm
2 in.				125 mm

Materials


Table 10: North American V246 Materials

Nominal Valve Size:		3/8 in. to 3/4 in. (Commercial)	1 in. to 2 in. (Commercial)	Maritime (All Sizes)
Material				
Body		Cast brass	Cast iron/rust resisting finish	Cast bronze
Seat		Aluminum Bronze	Aluminum bronze	Monel
Disc		BUNA-N	BUNA-N	BUNA-N
Disc Cup		Brass	Brass	Monel
Disc Stud		Brass	Brass	Monel
Stem/Extension Sleeve		Brass	Brass	Monel
Diaphragms		Nylon reinforced BUNA-N	Nylon reinforced BUNA-N	Nylon reinforced BUNA-N
Refrigerant Contact				
Pressure Element	Cup	300 Series stainless steel	300 Series stainless steel	300 Series stainless steel
	Bellows	300 Series stainless steel	300 Series stainless steel	300 Series stainless steel
	Bellows Ring	Steel/nickel plated	Steel/nickel plated	Steel/nickel plated

Table 11: European V246 Materials

Nominal Valve Size:		3/8 in. to 3/4 in. (Commercial)	1 in. to 2 in. (Commercial)	Maritime (All sizes)
Material				
Body		Hot forged brass	Cast iron/rust resisting finish	Cast bronze
Seat		Aluminum bronze	Aluminum bronze	Monel
Disc		BUNA-N	BUNA-N	BUNA-N
Disc Cup		Brass	Brass	Monel
Disc Stud		Brass	Brass	Monel
Stem/Extension Sleeve		Brass	Brass	Monel
Diaphragms		Nylon reinforced BUNA-N	Nylon reinforced BUNA-N	Nylon reinforced BUNA-N
Refrigerant Contact				
Pressure Element	Cup	300 Series stainless steel	300 Series stainless steel	300 Series stainless steel
	Bellows	300 Series stainless steel	300 Series stainless steel	300 Series stainless steel
	Bellows Ring	Steel/nickel plated	Steel/nickel plated	Steel/nickel plated

V246 Series 2-Way Pressure-Actuated Water-Regulating Valves for High-Pressure Refrigerants technical specifications

V246 Series 2-Way Pressure-Actuated Water-Regulating Valves for High-Pressure Refrigerants	
Factory-Set Opening Point	<ul style="list-style-type: none"> • Direct Acting 200 psig (13.8 bar) • Reverse Acting 165 psig (11.4 bar)
Maximum Working Pressure	630 psig (43.4 bar)
Opening Point Adjustment Range	<ul style="list-style-type: none"> • Direct Acting 200 to 400 psi (13.8 to 27.6 bar) • Reverse Acting 135 to 300 psi (9.3 to 20.7 bar)
Media	150 psig (10.3 bar) Maximum, -4°F to 170°F (-20°C to 77°C) glycol/water or liquids with low freezing points that are compatible with valve materials
Compliance	United States: cULus Listed; UL 207 File SFJQ.SA45221
	Canada: cULus Listed; UL 207 File SFJQ7.SA45221
	<p>Applies to:</p> <ul style="list-style-type: none"> • V246GA1-001C • V246GB1-001C • V246HA1-001C • V246HB1-001C <p>Note:</p> <ul style="list-style-type: none"> • The valve body and internal parts are not compatible with ammonia (R717). • The design pressure marked on these components shall not be less than the installed system working pressure or less than the values outlined in ASHRAE 15 for the charged refrigerant. After charging, mark the installed equipment with the refrigerant type and oil used.

