

Description

These compact, stylish, and economical room temperature sensors and transmitters are designed for use in KMC Digital controllers or other building automation systems. They incorporate a 10,000 ohm (@ 77° F) thermistor for precise, stable temperature sensing and offer a variety of features.

The durable, low-profile, thermostat-style cover is visually appealing. These sensors may be surface mounted on a hollow wall or (using an HMO-6036 universal backplate) to a 2 x 4 in. electrical (handy) box.

Models

The following STE-60xx models are available:

STE-60xx Model Number	Setpoint Adjust		Other Interface Features			Cable Connections			Temperature Output	
	Rotary Dial*	Up/Down Buttons	Override Button(s)	LCD Display	LED Status Indicator	Screw Clamp Terminals	RJ-45 Connector**	EIA-485 Data Port***	10K Ohms Thermistor	0 to 5 VDC Transmitter
6010-10							X	X	X	
6011-10						X			X	
6013-10			X		X	X			X	
6015-10			X		X		X	X	X	
6012-10		X	X	X		X				X
6016-10		X	X	X			X	X		X
6014-10	X						X	X	X	
6017-10	X		X				X	X	X	
6019-10	X		X			X			X	
6018-10	X		X		X		X	X	X	
6020-10	X		X		X	X			X	

*Earlier rotary dial models were marked with ° F or ° C, but dials now have warmer/cooler icons instead of numbers
 **Requires KMD-569x sensor to controller cable
 ***Requires KMD-5624 PC data port cable (see Accessories)

The standard color is almond. To order in white, add a "W" in the place of the hyphen near the end of the model number (e.g., STE-6012W10).



Features and Applications

An STE-6014/6017/6019/6018/6020 includes a **rotary setpoint dial** with warmer/cooler icons.

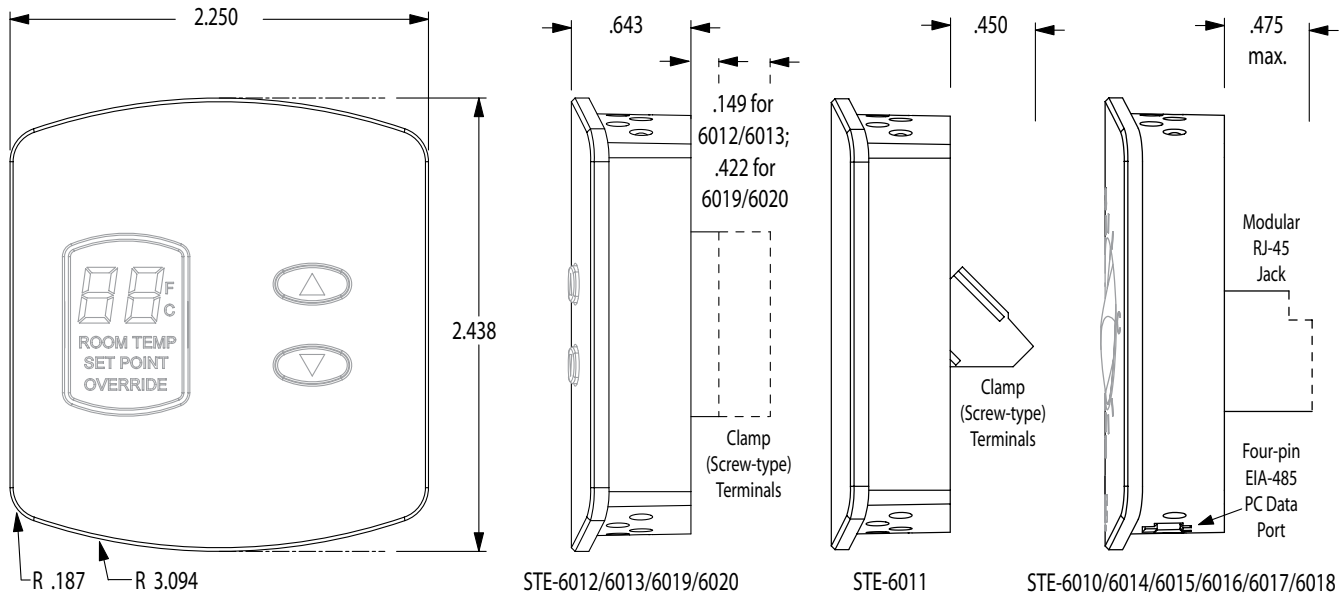
An STE-6013/6015/6017/6019/6018/6020 allows selection of an **override** condition by pushing the **button** on the front. A **green status LED** (not on the STE-6017/6019) illuminates according to the user-defined controller configuration (e.g., during setback/setup or during normal/override modes).

An STE-6012/6016 transmitter includes an **LCD display** for the room temperature and setpoint. The temperature display can be toggled between Fahrenheit and Celsius scales. The **setpoint** is **adjustable via the Up and Down arrow buttons** on the front panel. If the system is in occupied/normal mode, pressing a button raises or lowers the setpoint. When either button is pushed, the display toggles from room temperature to the setpoint. When the button is released, the number displayed is the new setpoint, and the display returns to room temperature after ten seconds. If the system is in unoccupied/setback mode, pressing either button selects **override** mode. (See Power Requirements in the Specifications section.)

An STE-6010/6014/6015/6016/6017/6018 includes a four-pin **EIA-485** (formerly RS-485) **data port** on the cover's underside for easy temporary computer connection to the network. (Access with a KMD-5624 cable.)

Dimensions

All dimensions are in inches



Specifications

Connections

Clamp (screw-type) terminals or modular RJ-45 jack (see Models chart)

Material

Flame-retardant plastic, light almond or white

Weight

Approx. 1.25 oz. (35 grams)

Sensor

Type	Type II thermistor
Accuracy	$\pm 0.36^\circ \text{ F}$ ($\pm 0.20^\circ \text{ C}$)
Resistance	10,000 ohms @ 77° F (25° C)
NTC	$4.37\%/^\circ \text{ C}$ @ 25° C
Dissipation Constant	$2 \text{ mW}/^\circ \text{ C}$
Temp. Reading	Thermistor resistance only from all models except the 0–5 VDC voltage output from the STE-6012/6016 transmitter

Rotary Setpoint Pot. 0–10K ohms $\pm 20\%$ ($54\text{--}90^\circ \text{ F}$ or $12\text{--}32^\circ \text{ C}$) linear

Accessories

HMO-6036	Universal Backplate, Almond
HMO-6036W	Universal Backplate, White
KMD-569x	STE-6010/6014/6015/6016/6017/6018 to Controller Cable with RJ-45 to RJ-11 Connectors (-5693 = 25 ft.; -5694 = 50 ft.; -5695 = 75 ft.)
KMD-5624	PC Data Port (EIA-485) Cable
KMD-5576	EIA-485 to USB Communicator

Front Buttons

STE-6013/6015/6017/6019/6018/6020

One momentary push button that shunts thermistor to signal override condition

STE-6012/6016

Two momentary push buttons that signal override condition, adjust setpoint, toggle $^\circ \text{ C}$ or $^\circ \text{ F}$, and calibrate temperature reading

Power Requirements

LED Indicator	10 VDC (12 VDC max); 5 mA max. current draw at 12 VDC
LCD Display	7.5 VDC (10.4 mA max. current draw) for unoccupied/set-back mode or 12 VDC (9.7 mA) for occupied/normal modes
	CE compliant

Approvals

Environmental Limits

Display (6012/6016)	35 to 90° F (2 to 32° C)
Operating	34 to 125° F (1.1 to 51.6° C)
Shipping	-40 to 140° F (-40 to 60° C)
Humidity	0 to 95% RH non-condensing

KMC Controls, Inc.

19476 Industrial Drive, New Paris, IN 46553

574.831.5250

www.kmcccontrols.com; info@kmcccontrols.com