

Features

- ◆ Supports bus and free topology termination
- ◆ TP/FT-10 side can also be used to terminate link power channels
- ◆ Screw terminals (0.5 - 2.5 mm²)
- ◆ Network access connector RJ-45 (LT-03 only)
- ◆ 17 x 90 x 58 (L x W x H in mm) i.e. 1 TE
- ◆ DIN rail (EN 50 022) mountable

Description

TP/FT-10, TP/LPT-10, and TP/XF-1250 networks need to be terminated using a defined network terminator.

L-Term **LT-03** offers one standard network terminator for a TP/FT-10 or TP/LPT-10 channel. In addition, LT-03 comes with a network access connector for a simple and reliable connection to the CEA-709 network e.g. for maintenance or analyzing the network locally.

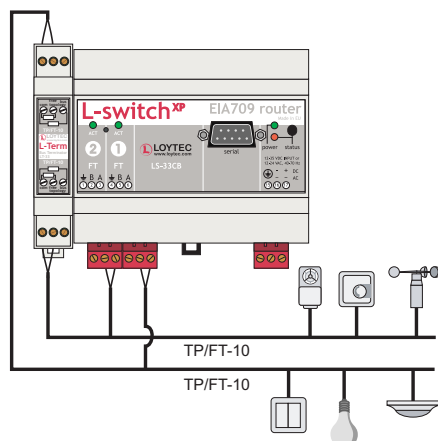
L-Term **LT-13** offers one standard network terminator for a TP/XF-1250 channel and one network terminator for a TP/FT-10 oder TP/LPT-10 channel.

L-Term **LT-33** combines two standard network terminators for TP/FT-10 or TP/LPT-10 channels in one slim housing.

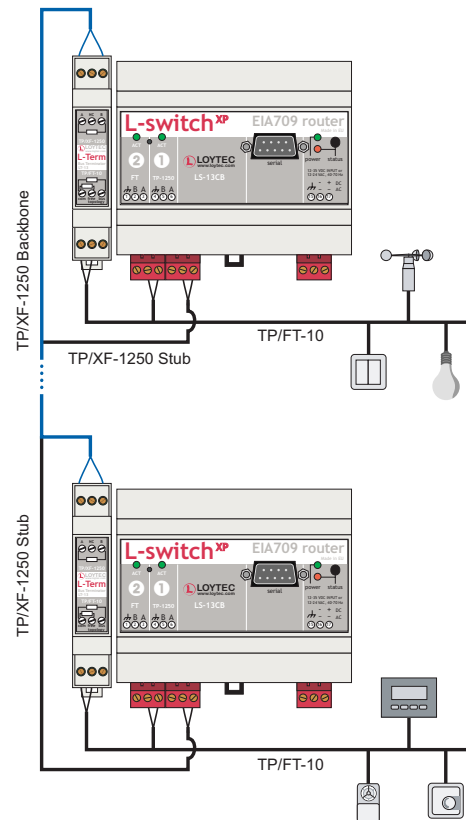
Therefore, L-Term is a perfect solution for LOYTEC active network infrastructure products (e.g. L-IP, L-Switch, L-Proxy, etc.) at a very competitive price.

Application Examples

1) **LT-33 in a typical free topology installation on two TP/FT-10 channels together with an LS-33CB 2-port L-Switch**



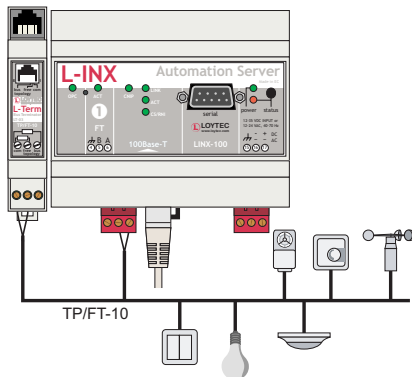
2) **LT-13 in a typical network with TP/XF-1250 backbone and free typology on TP/FT-10 together with two LS-13CB L-Switches**



Order Information

Order Number	Configuration
LT-03	1 x TP/FT-10 or TP/LPT-10 1 x network access connector RJ-45
LT-13	1 x TP/XF-1250 1 x TP/FT-10 or TP/LPT-10 (bus or free topology)
LT-33	2 x TP/FT-10 or TP/LPT-10 (bus or free topology)

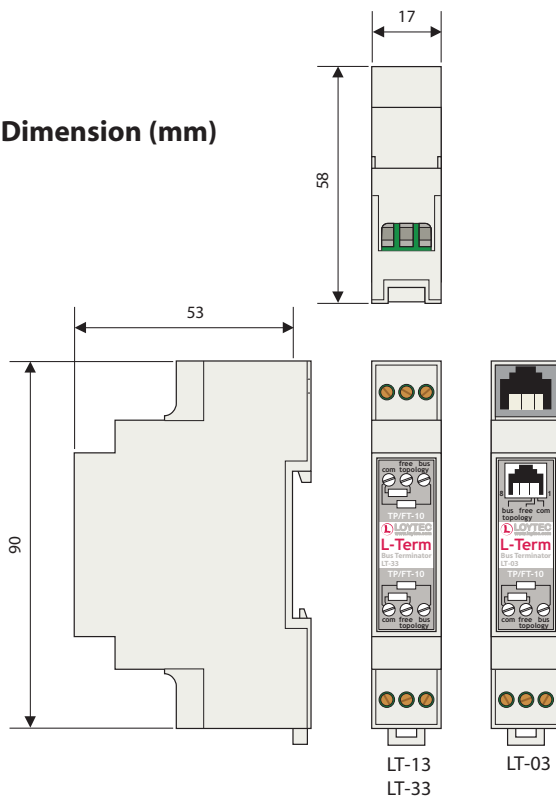
3) LT-03 in a free topology installation together with a LINX-100 Automation Server



LT-03 Modular Plug RJ-45(8P8C)

Pin	Marking	Description
1	com	tie point
2	free	free topology
3	bus	bus topology
4...8	-	not connected

Dimension (mm)

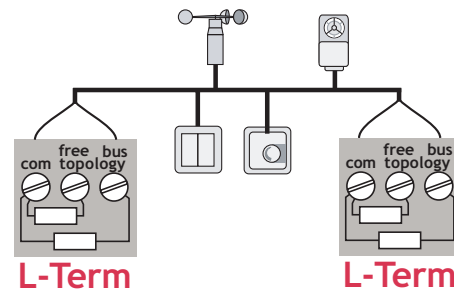


Bus Topology versus Free Topology

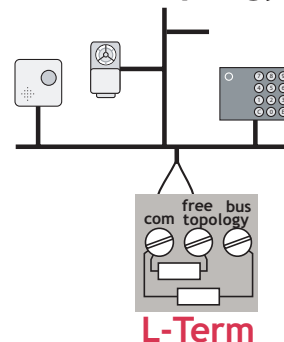
TP/FT-10 or TP/LPT-10 terminals can be used together with free topology and with bus topology networks.

Connect the network cables to the outer two terminals to terminate a bus topology. Please remember to use one terminator on each end of the network cable. In order to terminate a free topology network, place one L-Term on the network and connect the 2 cables to the left 2 terminals.

Bus Topology



Free Topology



Facts

operating temperature	+5°C to +50°C
storage temperature	-10°C to +85°C
rel. humidity operating	10 to 90% RH @ 50°C (not condensing)
rel. humidity storage	10 to 90% RH @ 50°C (not condensing)
enclosure	installation enclosure 1 TE
environmental protection	IP 20
installation	DIN rail mounting (EN 50022) or wall mounting

LC3020, L-Chip, L-Core, L-Dali, L-Gate, L-INX, L-IP, LPA, L-Proxy, L-Switch, L-Term, L-Vis, L-Web are trademarks of LOYTEC electronics GmbH. Other trademarks are trade names used in this document refer either to the entities claiming the markets and names, or to their products. LOYTEC disclaims proprietary interest in the markets and names of others.

LOYTEC reserves the right to make changes to these specifications without further notice for performance, reliability, production technique, and other considerations.