

Features

- Supports termination of EIA-485 bus systems
- Applicable for
 - BACnet MS/TP
 - Modbus RTU (RS-485)
 - TP/RS-485 (CEA-709)
 - CAN, CANopen, DeviceNet
- Resistance of 120 Ohm
- Screw terminals (0.5 - 2.5 mm²)
- Network access connector RJ-45 (LT-04 only)
- Biasing circuit for failsafe biasing (LT-B4 only)

Description

EIA-485 networks need to be terminated on both ends of the bus using defined network terminators.

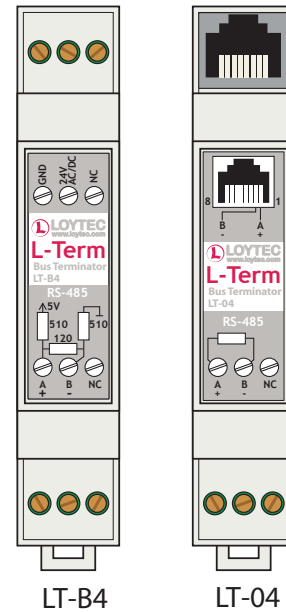
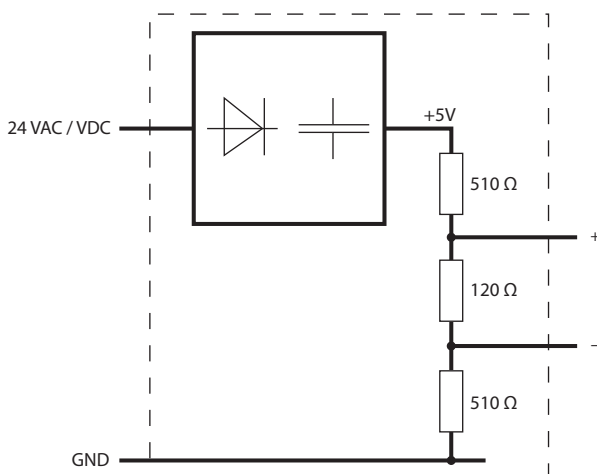
The L-Term **LT-04** and **LT-B4** offer standard network terminators of 120 Ohm to terminate a EIA-485 channel, used for BACnet MS/TP, Modbus RTU over RS-485, and TP/RS-485 (CEA-709) in DIN rail housings.

L-Term **LT-04** is a terminator for EIA-485 channels. In addition, LT-04 comes with a network access connector (RJ45) for a simple and reliable connection to the network e.g. for maintenance or analyzing the network locally.

The **LT-B4** is a bus terminator for an EIA-485 channel with biasing circuit (failsafe biasing). This biasing circuit draws the level of the bus during standby mode (idle) to a safe value (logic "1"). The LT-B4 needs a power supply of 24 VAC or 24 VDC.

With bus systems using EIA-485 technology only bus topology is allowed. Therefore, both ends of the cable must have terminators installed. This is necessary to keep up electronic communication.

Scheme of LT-B4



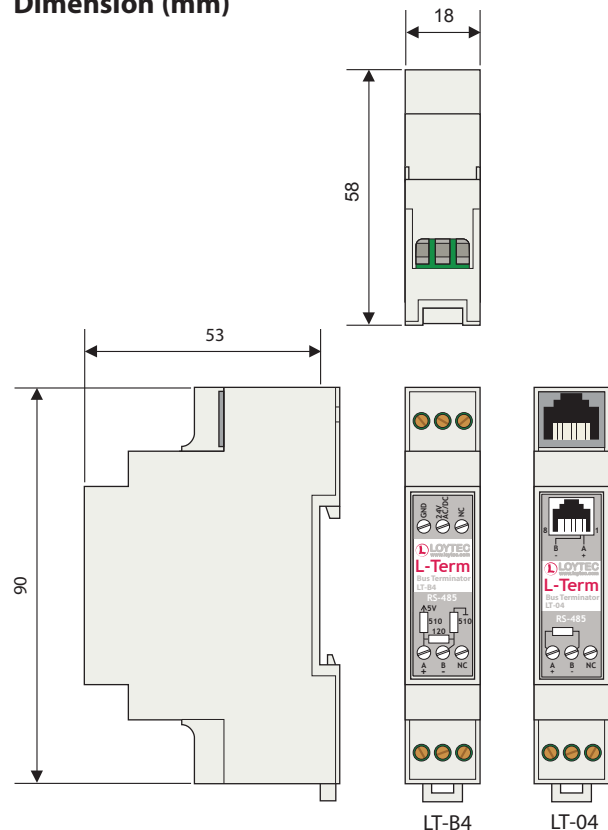
LT-B4

LT-04

LT-04 Modular Plug RJ-45(8P8C)

Pin	Marking	Description
1	A +	non-inverting pin, B (EIA-485)
2	B -	inverting pin, A (EIA-485)
3 ...8	NC	not connected

Dimension (mm)

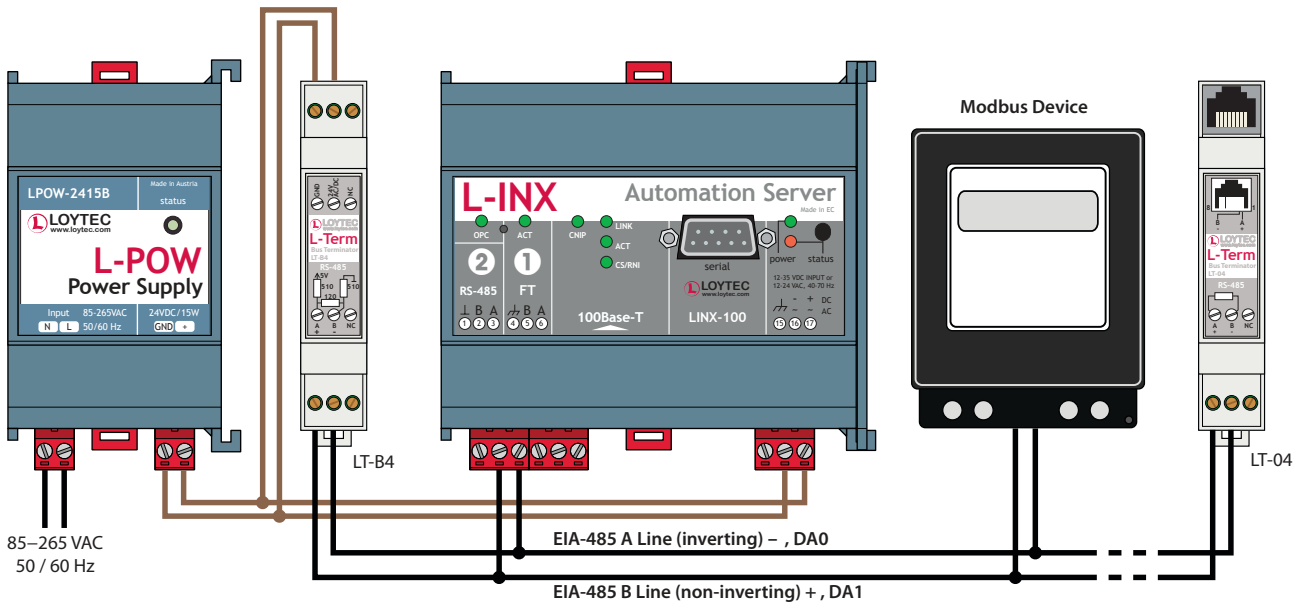


LT-B4

LT-04

Application Example

Modbus RTU: LINX-100 Automation Server and terminator LT-B4 with biasing circuit (failsafe biasing)



Note: The labeling 'A' and 'B' on the L-Term Terminators differs from EIA-485 channel labeling.

Specifications	
Dimensions (mm)	18 x 90 x 58 (L x W x H)
Weight	41 g
Installation	DIN rail mounting (EN 50022)
Operating temperature	0 °C to 50 °C (ambient)
Storage temperature	-10 C to 85 °C
Relative humidity	10-90 % RH @ 50 °C (non condensing)
Degree of protection IEC 60529	IP 20
Type	LT-04
Power supply	-
Power consumption	-
Termination Impedance (Z)	120 Ω
For use with	BACnet MS/TP, Modbus RTU, Modbus ASCII via EIA-485 (RS-485), or LONMARK TP/RS485 channel Bus topology, two terminators needed to terminate a bus

Order Number	Configuration
LT-04	1 x EIA-485 (bus topology), 1 x Network access connector RJ-45
LT-B4	1 x EIA-485 (bus topology), 1 x Power supply for Biasing Circuit (failsafe biasing) 24 VDC/VAC

AST, "buildings under control", LC3020, L-Chip, L-Core, L-DALI, L-GATE, L-INX, L-IOB, LIOB Connect, LIOB FT, L-IP, L-MBUS, LPA, L-POW, L-Proxy, L-ROC, L-STUDIO, L-Switch, L-Term, L-VIS, L-WEB, and ORION stack are trademarks of LOYTEC electronics GmbH. Other trademarks and trade names used in this document refer either to the entities claiming the markets and names, or to their products. LOYTEC disclaims proprietary interest in the markets and names of others. LOYTEC reserves the right to make changes to these specifications without further notice for performance, reliability, production technique, and other considerations.