

## Combination Mechanical Water Feeder/ Low Water Cut-Offs


### Series 247/247-2

#### Mechanical Water Feeder/Low Water Cut-Offs

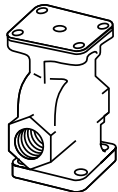
Components (shown on page 49)

Item Number	Part Number	Model Number	Description	Weight lbs. (kg)
1	310453	CTRD-101	Cartridge & strainer kit	.35 (.16)
2*	341600	SA47-101-102	Valve, cartridge & strainer assembly kit	3.0 (1.4)
3	324435	37-101	Tetraseal o-ring	0.1 (.05)
4	347100	SA101-38	Strainer for hex port valves (includes item 3 and bolts)	0.2 (.09)
5	341900	SA47-104	Bellows & bracket assembly (includes item 11)	1.5 (0.7)
6	312800	37-27	Gasket	0.1 (.05)
7	302900	CO-106	Cam assembly	0.1 (.05)
8	110000	2	Switch	1.0 (0.5)
9	110100	2-M	Switch w/manual reset	1.0 (0.5)
10	340600	SA37-30	Float assembly (includes item 11)	2.0 (0.9)
11	312700	37-26	Gasket	0.1 (.05)





Round Boss  
Pilot Action Style  
Pre August 1995



Hex Boss  
Cartridge Style  
After August 1995

\* Units manufactured prior to August 1995 have a round port pilot valve and a strainer assembly. These valve and strainer assemblies can be replaced with the current hex port cartridge valve and strainer assembly.

## Combination Mechanical Water Feeder/ Low Water Cut-Offs

### Series 247/247-2 (continued)

Mechanical Water Feeder/Low Water Cut-Offs

#### Components

