

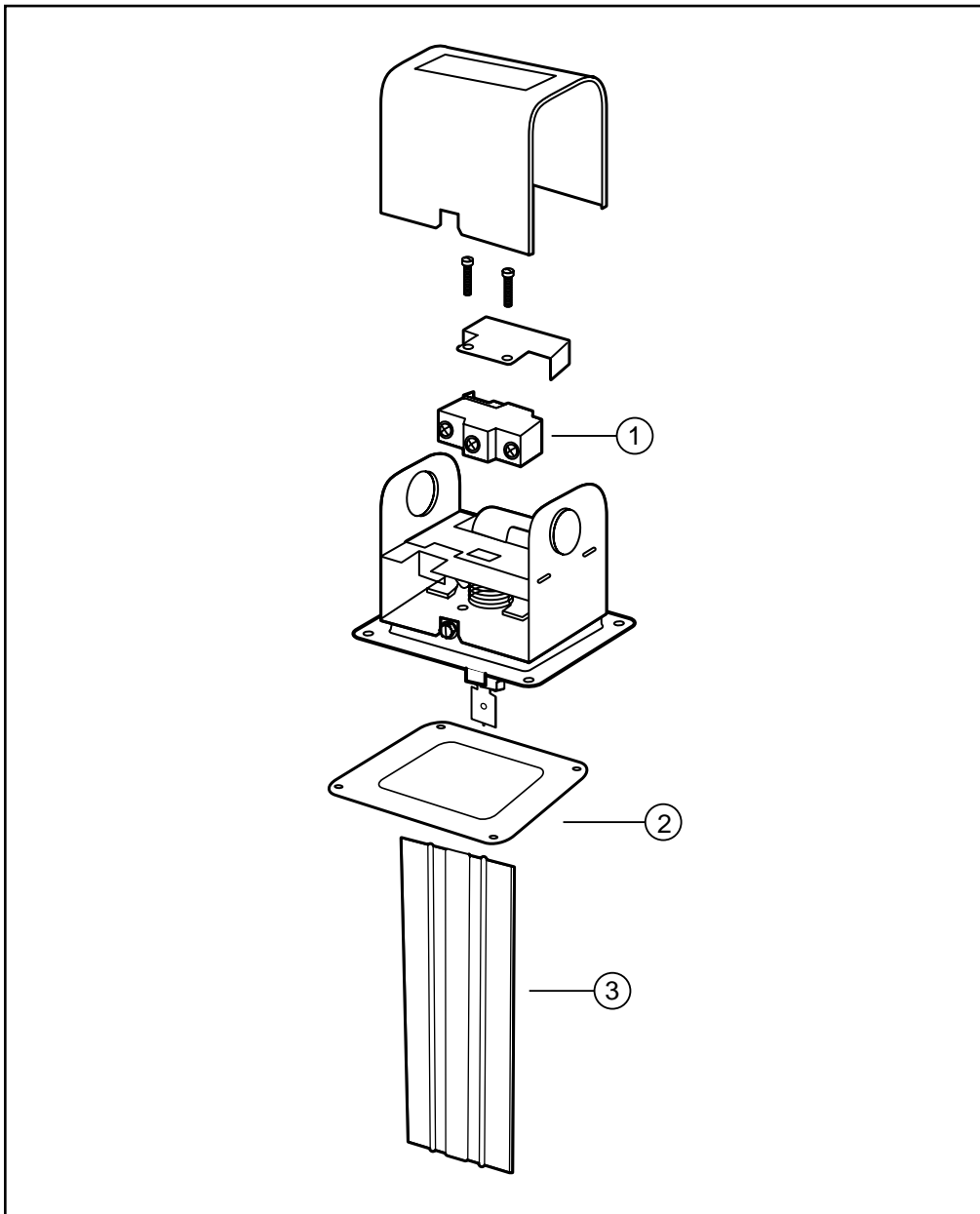
## Flow Switches – Air

### Series AF3 Air Flow Switches

#### Components

Item Number	Part Number	Model Number	Description	Weight lbs. (kg)
1	307000	FS7-31	SPDT switch	0.3 (.14)
2	301200	AF1-21	Gasket	0.1 (.05)
3	301450	AF3-122	Paddle kit (includes item 2)	0.1 (.05)

Note: Paddle kits include screws and washers.



FLOW SWITCHES