

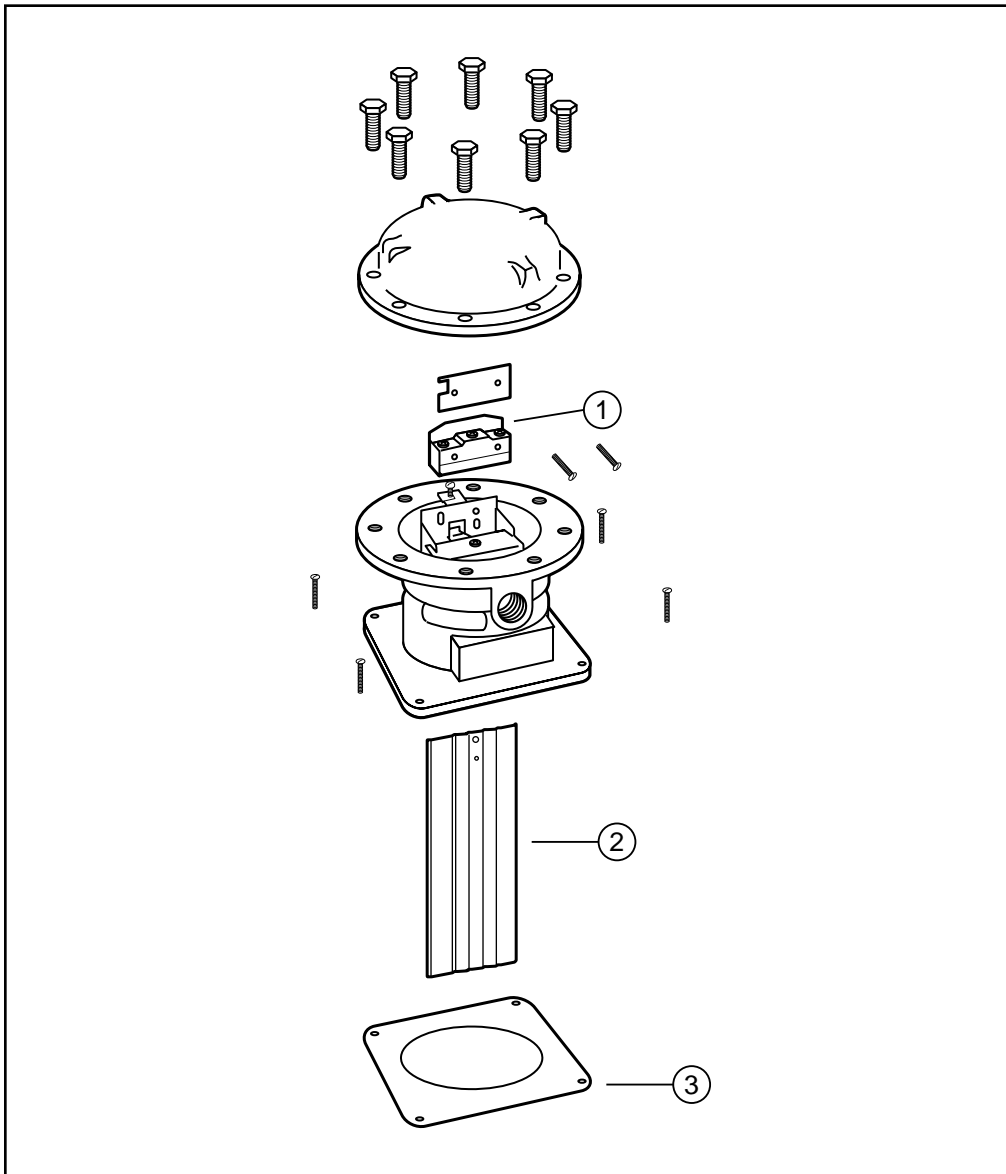
## Flow Switches – Air

### Series AFE-1 Air Flow Switches

#### Components

Item Number	Part Number	Model Number	Description	Weight lbs. (kg)
1	304300	FS1-17	SPDT switch	0.3 (.14)
2	308300	AFE-1-122	Paddle kit (includes item 3)	0.1 (.05)
3	317352	AFE-1-21	Gasket	0.1 (.05)

Note: Paddle kits include screws and washers.



FLOW SWITCHES