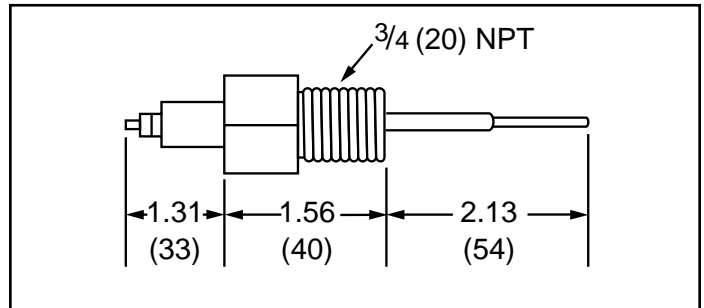


## Replacement Probes

### PA-800

For Model	Repl. Probe Model No.	Part Number	Description	Weight lbs. (kg)
PS-801-120	PA-800	354081	Probe	0.5 (.23)
PS-851-120				
PS-802-24				
PS-852-24				
RS-1-LP				
PS-851-M-120				
PS-852-M-24				
PS-801-M-120				
PS-802-M-24				

**Dimensions, in. (mm)**



### PA-800-U

For Model	Repl. Probe Model No.	Part Number	Description	Weight lbs. (kg)
PS-801-U-120	PA-800-U	354141	Probe	0.5 (.23)
PS-802-U-24				
PS-851-M-U-120				
PS-851-U-120				
PS-802-M-U-24				
PS-801-M-U-120				

**Dimensions, in. (mm)**

