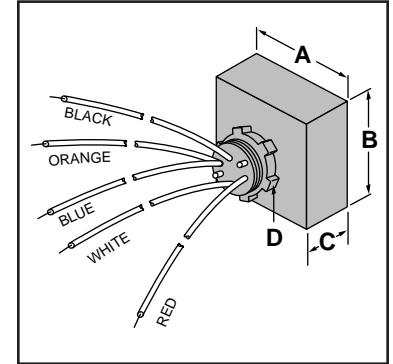


Flow Switches – Time Delay Relays

Series T5R Time Delay Relay

- For Series FS1, FS4-3, FS6, FS7-4 and FS8-W liquid flow switches and Series AF2 and AF3 air flow switches, to add time delay function
- Provides **5 second delay on break** (opening) circuit
- Permits intermittent switching of controlled equipment
- Eliminates false signals and rapid cycling from turbulence or fluctuations
- Direct mounting on Series FS4-3, AF2 and AF3
- Remote mounting on main control panel or conduit box with Series FS1, FS6, FS7-4 and FS8-W
- 120 VAC
- 1/2" NPT lock nut
- 10" (254mm) lead wires
- Solid state
- Completely encapsulated
- Minimum current 20ma
- Optional feature–24 Volt



Electrical Ratings

Model Number	Switch Rating	
	Input Voltage	Maximum Amperes
T5R	120 VAC	1
T5R-24V	24 VAC	1

Dimensions, in. (mm)

A	B	C	D
1 5/8 (41)	1 3/4 (45)	3/4 (19)	NPT 1/2

Ordering Information

Model Number	Part Number	Description	Weight lbs. (kg)
T5R-120V	112000	Time delay relay	.3 (.1)
T5R-24V	112005	T5R w/24 volt	.3 (.1)