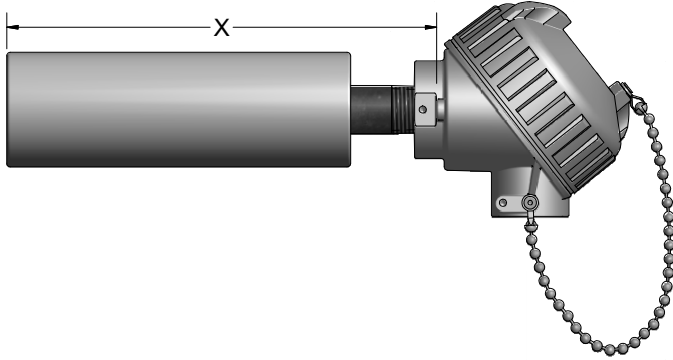
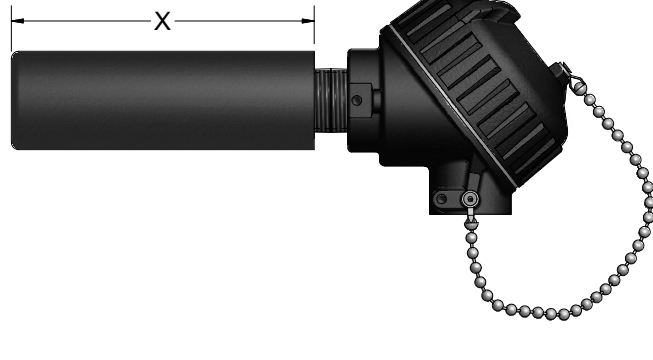


The Series 11, 13 and 14 assemblies are used to protect thermocouple elements in molten aluminum and zinc applications such as diecasting, melting, smelting and high-temperature holding furnace environments. Series 13 and 14 assemblies should be preheated and slowly immersed into any molten materials.

SERIES 14 PROTECTION TUBE ASSEMBLIES



SERIES 11 PROTECTION TUBE ASSEMBLIES



ORDER CODES

Example Order Number:

1
2
3
4
4-1
K8C - **13-75** - **24** - **31, H**

1 Thermocouple Type and Wire Gauge Size

CODE	DESCRIPTION
K8C	Type K 8 Gauge ceramic oval insulators
K11C	Type K 11 Gauge ceramic oval insulators
KK14C	Duplex, Type K 14 Gauge ceramic oval insulators
For duplex assemblies use the T/C type code letter twice. Example: K8C - 13 - 75 becomes KK8C - 13 - 75. For additional types and sizes consult factory.	

2 Protection Tube Material

CODE	FIGURE NUMBER
<i>CAST-IRON</i>	
11-75 ^[1]	3
<i>VESUVIUS</i>	
13-75	1
<i>CERITE® II</i>	
14-50 ^[2]	5
[1] Not available with 8 gauge or duplex 11 gauge. [2] For protection tubes supplied with a 316SS pipe instead of a carbon steel pipe, change order number 14 to 148. EXAMPLE: K8C-148-50-24-31	

Protection Tube Dimensions

CODE	I.D. x O.D. (inches)
11	0.875 x 1.625
13	0.824 x 2.00
14	0.622 x 2.00

4 Head Terminations

CODE	DESCRIPTION
31	Aluminum screw-cover head
34	Cast-Iron screw-cover head
49	Flip-top aluminum head
91	316L SS screw-cover head

4-1 Assembly Options

CODE	DESCRIPTION
SB	1/2" NPT conduit reducer bushign
GS	Ground screw
H	Adjustable steel mounting flange
I	Stainless tag
L	Insulated hot junction

3 Tube "X" Length

LENGTH (inches)	LENGTH (inches)
12	30
18	36
24	
Consult factory for other lengths.	