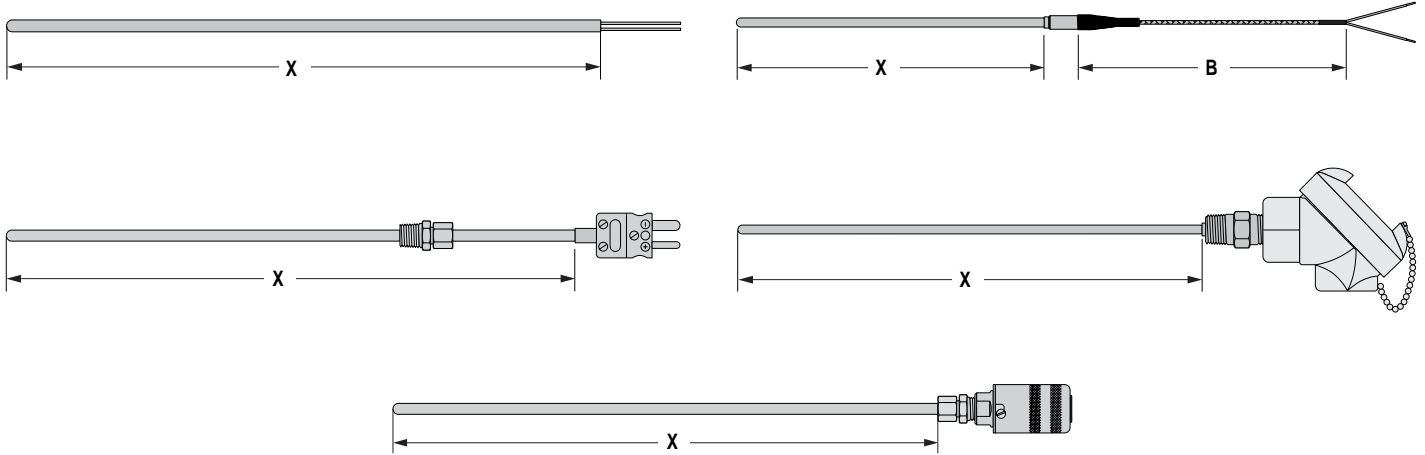


A Pyromation MgO thermocouple assembly consists of a thermocouple element swaged in hard-packed standard purity (96%) Magnesium Oxide mineral insulation and encased in a metal sheath. Thermocouple sheaths have been fully annealed; they can be formed into many configurations, and can be bent into a radius of twice the size of its outer sheath. The tables found on this page and the following pages allow customer selection of standard ANSI thermocouple types, sheath diameters, mounting fittings and terminations. Custom built specials are available upon request.



EXAMPLE ORDER NUMBER:

1-1 1-2 1-3 1-4 1-5 Table 2 Table 3 Table 4 Table 5
J 4 8 012 G M - **PAGE MGO 2** - **PAGE MGO 3** - **PAGE MGO 4** - **PAGE MGO 5**

1-1

THERMOCOUPLE TYPES	
ORDER CODE	
SINGLE	DUPLEX
E	E E
J	J J
K	K K
T	T T
N	N N

1-2

SHEATH DIAMETERS	
ORDER CODE	DIAMETERS
1	1/16" (.063)
2	1/8" (.125)
3	3/16" (.188)
4	1/4" (.250)
6	3/8" (.375)

1-3

SHEATH MATERIAL		
ORDER CODE	MATERIAL	STANDARD AVAIL. TYPES
1B	Nicrobell B *	K, N
1C	Nicrobell C *	K, N
3	Inconel 600	J, K, N
4	310 Stainless Steel	J, K
5	446 Stainless Steel	J, K
8	316 Stainless Steel	E, J, K, T
9	304 Stainless Steel	E, J, K, T

1-5

MEASURING JUNCTIONS	
ORDER CODE	DESCRIPTION
G	Grounded
U	Ungrounded
E	Exposed

SPECIAL OPTIONS	
ORDER CODE	DESCRIPTION
M	Special Limits of Error
H	High Purity MgO Insul. (99.6% Pure)
T	Teflon Coated Sheath

Use this table only if options are desired

1-4

"X" DIMENSION
Insert Three Digit Sheath Length (X Dimension) in Inches
NOTE: Sheath lengths over 98" long will be shipped in a coiled configuration unless otherwise specified.

* Trade mark of Nicrobell Pty Ltd. Sidney, Australia

Other thermocouple types, sheath materials, and sheath diameters are available upon special request. Consult factory.