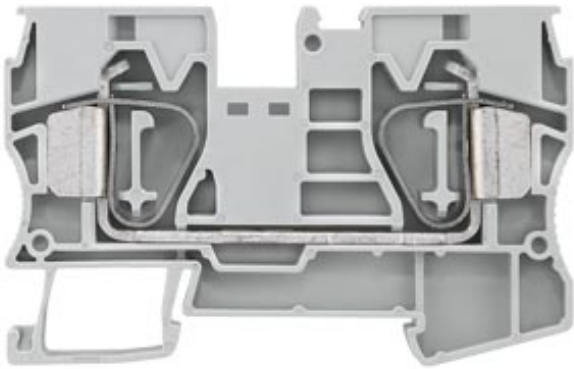


Through-type terminals with spring-loaded connection, Cross-section: 1.5-16 mm², Width: 12mm, Color: gray



Model	
product brand name	ALPHA
product designation	ALPHA FIX terminal blocks
design of terminal / terminal levels internally linked	No
General technical data	
terminal contact spacing	12 mm
operating voltage / rated value	800 V
Protection class	
combustibility class acc. to UL 94	V0
Main circuit	
operating current / rated value	90 A
Appearance	
color	grey
Product details	
product component / required / connection plate	No
Number	

number of terminal levels	1
number of terminal points / per terminal level	2

Connections

wire stripping length	18 mm
connectable conductor cross-section / solid	
• minimum	25 mm ²
• maximum	25 mm ²
connectable conductor cross-section / stranded	
• minimum	25 mm ²
• maximum	25 mm ²
connectable conductor cross-section / finely stranded	
• with core end processing / minimum	16 mm ²
• with core end processing / maximum	16 mm ²
• without core end processing / minimum	16 mm ²
• without core end processing / maximum	16 mm ²
type of electrical connection	
• 1	spring-loaded terminal
• 2	spring-loaded terminal
position / of the terminal	top

Mechanical Design

mounting type	DIN rail 35 mm
net weight	37 g
material / of the insulating body	Other

Environmental conditions

ambient temperature / during operation	
• minimum	-25 °C
• maximum	55 °C

Certificates

design tested acc. to type of protection / EEx e	No
--	----

General Product Approval	Declaration of Con- formity	other
---------------------------------	--	--------------



[Miscellaneous](#)

Further information

Information- and Downloadcenter (Catalogs, Brochures,...)

<http://www.siemens.com/lowvoltage/catalogs>

Industry Mall (Online ordering system)

<https://mall.industry.siemens.com/mall/en/en/Catalog/product?mifb=8WH2000-0AK00>

Service&Support (Manuals, Certificates, Characteristics, FAQs,...)

<https://support.industry.siemens.com/cs/ww/en/ps/8WH2000-0AK00>

Image database (product images, 2D dimension drawings, 3D models, device circuit diagrams, ...)

http://www.automation.siemens.com/bilddb/cax_en.aspx?mlfb=8WH2000-0AK00

CAX-Online-Generator

<http://www.siemens.com/cax>

Tender specifications

<http://www.siemens.com/specifications>