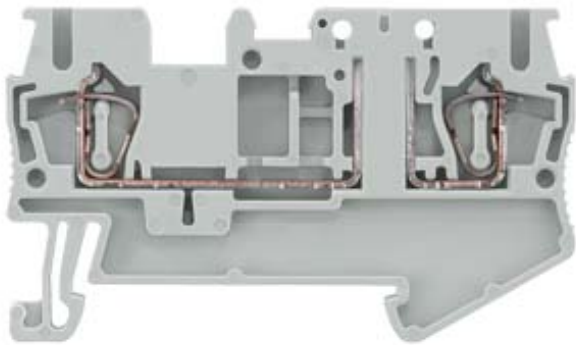


Isolating terminal for isolating terminal with spring-loaded connection,  
Cross section: 0.08-2.5 mm<sup>2</sup>, Width: 5.2mm, Color: gray



Model	
product brand name	ALPHA
type of longitudinal separation	others
type of lateral separation	without
design of terminal / terminal levels internally linked	No
General technical data	
insulation material	others
terminal contact spacing	5.2 mm
operating voltage / rated value	400 V
Protection class	
combustibility class acc. to UL 94	V0
Main circuit	
operating current / rated value	16 A
Appearance	
color	grey
Product details	
product component	

- required / connection plate
- test socket

No

No

## Number

number of terminal levels	1
number of terminal points / per terminal level	2

## Connections

wire stripping length	10 mm
connectable conductor cross-section / solid	
• minimum	4 mm <sup>2</sup>
• maximum	4 mm <sup>2</sup>
connectable conductor cross-section / stranded	
• minimum	0.25 mm <sup>2</sup>
• maximum	4 mm <sup>2</sup>
connectable conductor cross-section / finely stranded	
• with core end processing / minimum	2.5 mm <sup>2</sup>
• with core end processing / maximum	2.5 mm <sup>2</sup>
• without core end processing / minimum	2.5 mm <sup>2</sup>
• without core end processing / maximum	2.5 mm <sup>2</sup>
type of electrical connection	
• 1	spring-loaded terminal
• 2	spring-loaded terminal
position / of the terminal	top

## Mechanical Design

height / with lowest-profile installation	36.5 mm
length	60.5 mm
mounting type	DIN rail 35 mm
material / of the insulating body	Other

## Certificates

<b>General Product Approval</b>	<b>Declaration of Con- formity</b>	<b>other</b>
---------------------------------	--	--------------



[Miscellaneous](#)

## Further information

**Information- and Downloadcenter (Catalogs, Brochures,...)**

<http://www.siemens.com/lowvoltage/catalogs>

**Industry Mall (Online ordering system)**

<https://mall.industry.siemens.com/mall/en/en/Catalog/product?mlfb=8WH2000-6AF00>

**Service&Support (Manuals, Certificates, Characteristics, FAQs,...)**

<https://support.industry.siemens.com/cs/ww/en/ps/8WH2000-6AF00>

**Image database (product images, 2D dimension drawings, 3D models, device circuit diagrams, ...)**

[http://www.automation.siemens.com/bilddb/cax\\_en.aspx?mlfb=8WH2000-6AF00](http://www.automation.siemens.com/bilddb/cax_en.aspx?mlfb=8WH2000-6AF00)

**CAX-Online-Generator**

<http://www.siemens.com/cax>

**Tender specifications**

<http://www.siemens.com/specifications>