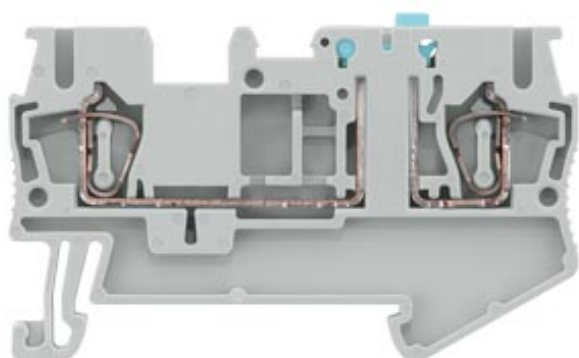


Instrument isolating terminal with spring-loaded connection, Cross section: 0.08-2.5 mm², Width: 5.2mm, Color: gray with orange blade



Model	
product brand name	ALPHA
type of longitudinal separation	others
type of lateral separation	without
design of terminal / terminal levels internally linked	No
General technical data	
insulation material	others
terminal contact spacing	5.2 mm
operating voltage / rated value	400 V
Protection class	
combustibility class acc. to UL 94	V0
Main circuit	
operating current / rated value	16 A
Appearance	
color	grey
Product details	
product component	

- required / connection plate
- test socket

No

No

Number

number of terminal levels	1
number of terminal points / per terminal level	2

Connections

wire stripping length	10 mm
connectable conductor cross-section / solid	
• minimum	4 mm ²
• maximum	4 mm ²
connectable conductor cross-section / stranded	
• minimum	0.25 mm ²
• maximum	2.5 mm ²
connectable conductor cross-section / finely stranded	
• with core end processing / minimum	2.5 mm ²
• with core end processing / maximum	2.5 mm ²
• without core end processing / minimum	2.5 mm ²
• without core end processing / maximum	2.5 mm ²
type of electrical connection	
• 1	spring-loaded terminal
• 2	spring-loaded terminal
position / of the terminal	top

Mechanical Design

height / with lowest-profile installation	43 mm
length	60.5 mm
mounting type	DIN rail 35 mm
material / of the insulating body	Other

Certificates

General Product Approval

Declaration of Con-
formity

other



CSA



UR



EG-Konf.

[Miscellaneous](#)

Further information

Information- and Downloadcenter (Catalogs, Brochures,...)
<http://www.siemens.com/lowvoltage/catalogs>
Industry Mall (Online ordering system)
<https://mall.industry.siemens.com/mall/en/en/Catalog/product?mlfb=8WH2000-6CF00>
Service&Support (Manuals, Certificates, Characteristics, FAQs,...)
<https://support.industry.siemens.com/cs/ww/en/ps/8WH2000-6CF00>

Image database (product images, 2D dimension drawings, 3D models, device circuit diagrams, ...)

http://www.automation.siemens.com/bilddb/cax_en.aspx?mlfb=8WH2000-6CF00

CAX-Online-Generator

<http://www.siemens.com/cax>

Tender specifications

<http://www.siemens.com/specifications>