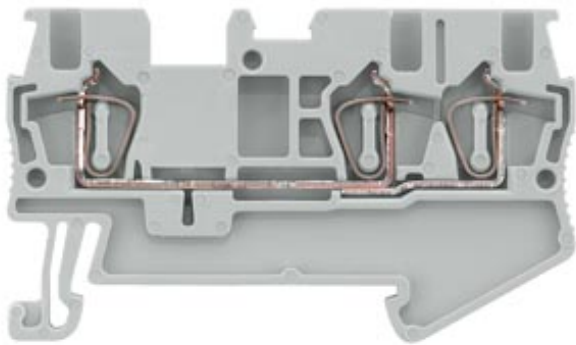


Through-type terminals with spring-loaded connection, 3 connection points, Cross-section: 0.14-1.5 mm<sup>2</sup>, Width: 4.2mm, Color: gray



Model	
product brand name	ALPHA
product designation	ALPHA FIX terminal blocks
design of terminal / terminal levels internally linked	No
General technical data	
terminal contact spacing	4.2 mm
operating voltage / rated value	500 V
Protection class	
combustibility class acc. to UL 94	V0
Main circuit	
operating current / rated value	17.5 A
Appearance	
color	grey
Product details	
product component / required / connection plate	No
Number	

number of terminal levels	1
number of terminal points / per terminal level	3

### Connections

wire stripping length	10 mm
connectable conductor cross-section / solid	
• minimum	1.5 mm <sup>2</sup>
• maximum	1.5 mm <sup>2</sup>
connectable conductor cross-section / stranded	
• minimum	1.5 mm <sup>2</sup>
• maximum	1.5 mm <sup>2</sup>
connectable conductor cross-section / finely stranded	
• with core end processing / minimum	1.5 mm <sup>2</sup>
• with core end processing / maximum	1.5 mm <sup>2</sup>
• without core end processing / minimum	1.5 mm <sup>2</sup>
• without core end processing / maximum	1.5 mm <sup>2</sup>
type of electrical connection	
• 1	spring-loaded terminal
• 2	spring-loaded terminal
position / of the terminal	top

### Mechanical Design

mounting type	DIN rail 35 mm
net weight	7 g
material / of the insulating body	Other

### Environmental conditions

ambient temperature / during operation	
• minimum	-25 °C
• maximum	55 °C

### Certificates

design tested acc. to type of protection / EEx e	No
--	----

<b>General Product Approval</b>	<b>Declaration of Con- formity</b>	<b>other</b>
---------------------------------	--	--------------



[Miscellaneous](#)

### Further information

**Information- and Downloadcenter (Catalogs, Brochures,...)**

<http://www.siemens.com/lowvoltage/catalogs>

**Industry Mall (Online ordering system)**

<https://mall.industry.siemens.com/mall/en/en/Catalog/product?mfb=8WH2003-0AE00>

**Service&Support (Manuals, Certificates, Characteristics, FAQs,...)**

<https://support.industry.siemens.com/cs/ww/en/ps/8WH2003-0AE00>

**Image database (product images, 2D dimension drawings, 3D models, device circuit diagrams, ...)**

[http://www.automation.siemens.com/bilddb/cax\\_en.aspx?mlfb=8WH2003-0AE00](http://www.automation.siemens.com/bilddb/cax_en.aspx?mlfb=8WH2003-0AE00)

**CAX-Online-Generator**

<http://www.siemens.com/cax>

**Tender specifications**

<http://www.siemens.com/specifications>