

Two-tier terminals Potential connected, Cross-section: 0.14-1.5 mm², Width: 4.2mm, Color: gray

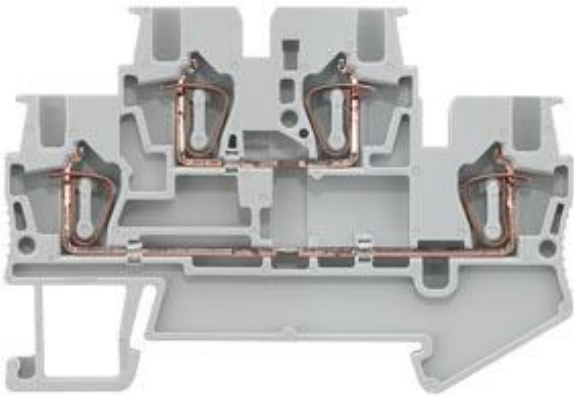


Figure similar

Model	
product brand name	ALPHA
product designation	ALPHA FIX terminal blocks
design of terminal / terminal levels internally linked	No
General technical data	
terminal contact spacing	4.2 mm
operating voltage / rated value	500 V
Protection class	
combustibility class acc. to UL 94	V0
Main circuit	
operating current / rated value	17.5 A
Appearance	
color	grey
Product details	
product component / required / connection plate	No

Number	
number of terminal levels	2
number of terminal points / per terminal level	2

Connections	
wire stripping length	10 mm
connectable conductor cross-section / solid	
• minimum	1.5 mm ²
• maximum	1.5 mm ²
connectable conductor cross-section / stranded	
• minimum	1.5 mm ²
• maximum	1.5 mm ²
connectable conductor cross-section / finely stranded	
• with core end processing / minimum	1.5 mm ²
• with core end processing / maximum	1.5 mm ²
• without core end processing / minimum	1.5 mm ²
• without core end processing / maximum	1.5 mm ²
type of electrical connection	
• 1	spring-loaded terminal
• 2	spring-loaded terminal
position / of the terminal	top

Mechanical Design	
height / with lowest-profile installation	47.5 mm
length	67.5 mm
mounting type	DIN rail 35 mm
net weight	9 g
material / of the insulating body	Other

Environmental conditions	
ambient temperature / during operation	
• minimum	-25 °C
• maximum	55 °C

Certificates	
design tested acc. to type of protection / EEx e	No

General Product Approval	Declaration of Conformity	other



[Miscellaneous](#)

Further information

Information- and Downloadcenter (Catalogs, Brochures,...)

<http://www.siemens.com/lowvoltage/catalogs>

Industry Mall (Online ordering system)

<https://mall.industry.siemens.com/mall/en/en/Catalog/product?mlfb=8WH2025-0AE00>

Service&Support (Manuals, Certificates, Characteristics, FAQs,...)

<https://support.industry.siemens.com/cs/ww/en/ps/8WH2025-0AE00>

Image database (product images, 2D dimension drawings, 3D models, device circuit diagrams, ...)

http://www.automation.siemens.com/bilddb/cax_en.aspx?mlfb=8WH2025-0AE00

CAX-Online-Generator

<http://www.siemens.com/cax>

Tender specifications

<http://www.siemens.com/specifications>