

Two-tier terminals Potential connected, with spring-loaded connection, Cross-section: 0.5-4 mm², Width: 6.2mm, Color: gray

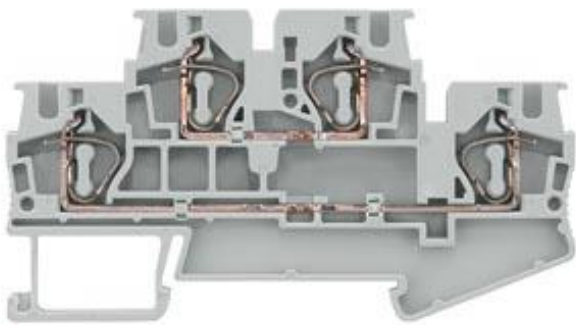


Figure similar

Model	
product brand name	ALPHA
product designation	ALPHA FIX terminal blocks
design of terminal / terminal levels internally linked	No
General technical data	
terminal contact spacing	6.2 mm
operating voltage / rated value	500 V
Protection class	
combustibility class acc. to UL 94	V0
Main circuit	
operating current / rated value	32 A
Appearance	
color	grey
Product details	
product component / required / connection plate	No




Number	
number of terminal levels	2
number of terminal points / per terminal level	2

Connections	
wire stripping length	10 mm
connectable conductor cross-section / solid	<ul style="list-style-type: none"> • minimum 6 mm² • maximum 6 mm²
connectable conductor cross-section / stranded	<ul style="list-style-type: none"> • minimum 6 mm² • maximum 6 mm²
connectable conductor cross-section / finely stranded	<ul style="list-style-type: none"> • with core end processing / minimum 4 mm² • with core end processing / maximum 4 mm² • without core end processing / minimum 4 mm² • without core end processing / maximum 4 mm²
type of electrical connection	<ul style="list-style-type: none"> • 1 spring-loaded terminal • 2 spring-loaded terminal
position / of the terminal	top

Mechanical Design	
height / with lowest-profile installation	47.5 mm
length	83.5 mm
mounting type	DIN rail 35 mm
net weight	17 g
material / of the insulating body	Other

Environmental conditions	
ambient temperature / during operation	<ul style="list-style-type: none"> • minimum -25 °C • maximum 55 °C

Certificates	
design tested acc. to type of protection / EEx e	No

General Product Approval	Declaration of Con- formity	other
 CSA	 UR	 EG-Konf.

[Miscellaneous](#)

Further information

Information- and Downloadcenter (Catalogs, Brochures,...)

<http://www.siemens.com/lowvoltage/catalogs>

Industry Mall (Online ordering system)

<https://mall.industry.siemens.com/mall/en/en/Catalog/product?mlfb=8WH2025-0AG00>

Service&Support (Manuals, Certificates, Characteristics, FAQs,...)

<https://support.industry.siemens.com/cs/ww/en/ps/8WH2025-0AG00>

Image database (product images, 2D dimension drawings, 3D models, device circuit diagrams, ...)

http://www.automation.siemens.com/bilddb/cax_en.aspx?mlfb=8WH2025-0AG00

CAX-Online-Generator

<http://www.siemens.com/cax>

Tender specifications

<http://www.siemens.com/specifications>