

Through-type terminal, plug-in connection at both ends, Cross-section 0.08-2.5 mm<sup>2</sup>, Width: 5.2mm, Color: blue

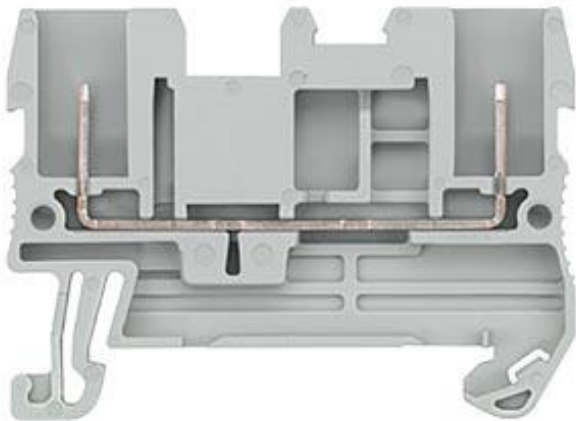


Figure similar

Model	
product brand name	ALPHA
product designation	ALPHA FIX terminal blocks
design of terminal / terminal levels internally linked	No
General technical data	
terminal contact spacing	5.2 mm
operating voltage / rated value	500 V
Protection class	
combustibility class acc. to UL 94	V0
Main circuit	
operating current / rated value	24 A
Appearance	
color	blue
Product details	
product component / required / connection plate	No

Number	
number of terminal levels	1
number of terminal points / per terminal level	2

Connections	
connectable conductor cross-section / solid	
• minimum	2.5 mm <sup>2</sup>
• maximum	2.5 mm <sup>2</sup>
connectable conductor cross-section / stranded	
• minimum	2.5 mm <sup>2</sup>
• maximum	2.5 mm <sup>2</sup>
connectable conductor cross-section / finely stranded	
• with core end processing / minimum	2.5 mm <sup>2</sup>
• with core end processing / maximum	2.5 mm <sup>2</sup>
• without core end processing / minimum	2.5 mm <sup>2</sup>
• without core end processing / maximum	2.5 mm <sup>2</sup>
type of electrical connection	
• 1	connector
• 2	connector
position / of the terminal	top

Mechanical Design	
height / with lowest-profile installation	36.5 mm
length	48.5 mm
mounting type	DIN rail 35 mm
net weight	4 g
material / of the insulating body	Other

Environmental conditions	
ambient temperature / during operation	
• minimum	-25 °C
• maximum	55 °C

Certificates	
design tested acc. to type of protection / EEx e	No

General Product Approval	Declaration of Conformity
--------------------------	---------------------------



### Further information

**Information- and Downloadcenter (Catalogs, Brochures,...)**  
<http://www.siemens.com/lowvoltage/catalogs>

**Industry Mall (Online ordering system)**

<https://mall.industry.siemens.com/mall/en/en/Catalog/product?mlfb=8WH5000-0AF01>

**Service&Support (Manuals, Certificates, Characteristics, FAQs,...)**

<https://support.industry.siemens.com/cs/ww/en/ps/8WH5000-0AF01>

**Image database (product images, 2D dimension drawings, 3D models, device circuit diagrams, ...)**

[http://www.automation.siemens.com/bilddb/cax\\_en.aspx?mlfb=8WH5000-0AF01](http://www.automation.siemens.com/bilddb/cax_en.aspx?mlfb=8WH5000-0AF01)

**CAX-Online-Generator**

<http://www.siemens.com/cax>

**Tender specifications**

<http://www.siemens.com/specifications>