

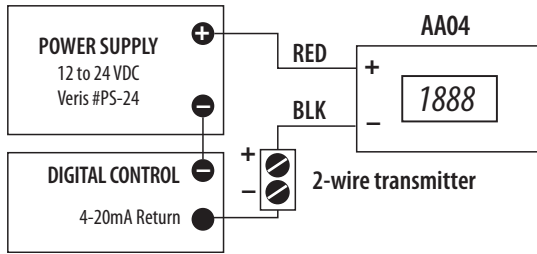
INSTALLATION INSTRUCTIONS

AA04

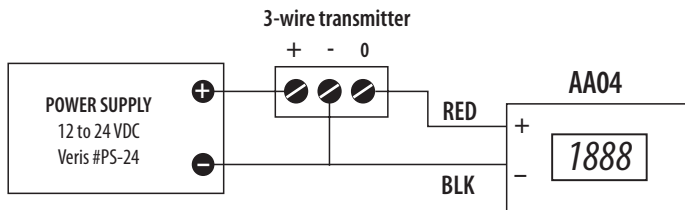
1. Scaled 0 to 100% (4-20mA). Custom scaling available.
2. Output is polarity sensitive, observe \pm markings.
3. Mount unit indoors using screws provided.

WIRING DIAGRAMS

2-Wire, Loop Powered, Sinking Transmitter:



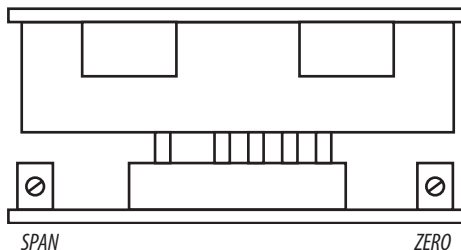
3-Wire, Sourcing Transmitter:



FIELD CALIBRATION

1. Remove (4) screws from housing cover to expose adjustment pots.
2. Orient adjustment pots as indicated.
3. Connect a 4-20mA loop calibrator to the black and red wires.
4. Set loop calibrator to 4mA and adjust "ZERO" pot until desired indication is read on display.
5. Set loop calibrator to 20mA and adjust "SPAN" pot until desired indication is read on display.
6. Repeat steps 4 and 5 until readings are correct.

NOTE: "ZERO" and "SPAN" adjustment are interactive.

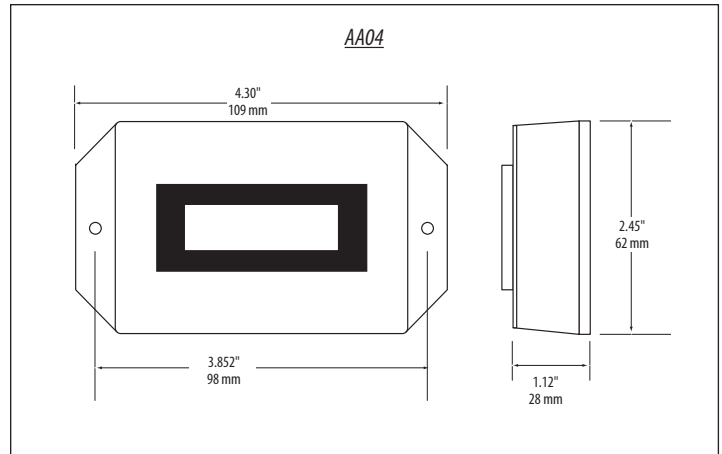


AA04 Remote Display 4-20mA

VERIS INDUSTRIES

10831 S.W. CASCADE BLVD.
PORTLAND, OREGON 97223
(503) 598-4564 FAX (503) 598-4664
1-800-354-8556

<http://www.veris.com> email:sales@veris.com



SPECIFICATIONS

Accuracy

AA04 $\pm 2\%$ full-scale
Analog Output 4–20 mA scaled 0 to 100% RH; Polarity sensitive
Input Power Loop powered, 12–30 VDC, 30 mA max.