



H221

IDEAL FOR INDUSTRIAL SIZE LOADS



Hawkeye® 221/321/421

High Amperage Split-Core Current Transducer
4-20mA Loop Powered Output

The Hawkeye 221/321/421 analog current transducers provide reliable load trending information for large motor loads (up to 2400A) with a proportional 4-20mA signal. Each sensor can be calibrated for maximum resolution using the span potentiometer.

APPLICATIONS

- Load trending of large motors
- Split-core design is ideal for retrofit load trending

Monitor larger motors & other loads up to 2400A

- Split-core design for easy installation
- Eliminates need for external CTs on large conductors
- Large openings for heavy conductors
- Monitor critical motors (compressor, fuel, etc.)

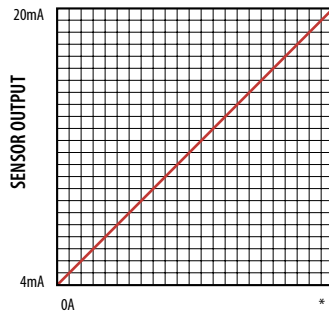
Loop powered 4-20mA output

- Two-wire design reduces wiring cost
- Zero and span adjustment for easy setup and high resolution
- 5-year limited warranty



H221/321/421 LINEAR OUTPUT

Scale software as shown



*Adjusted with Span Potentiometer

- 100 to 300A (H221)
- 300 to 800A (H321)
- 1000 to 2400A (H421)

ORDERING INFORMATION

MODEL	AMPERAGE RANGE		OUTPUT TYPE	UL
	4mA	20mA (SPAN)		
H221	0A	100 to 300A	4-20mA	
H321	0A	300 to 800A	4-20mA	
H421	0A	1000 to 2400A	4-20mA	

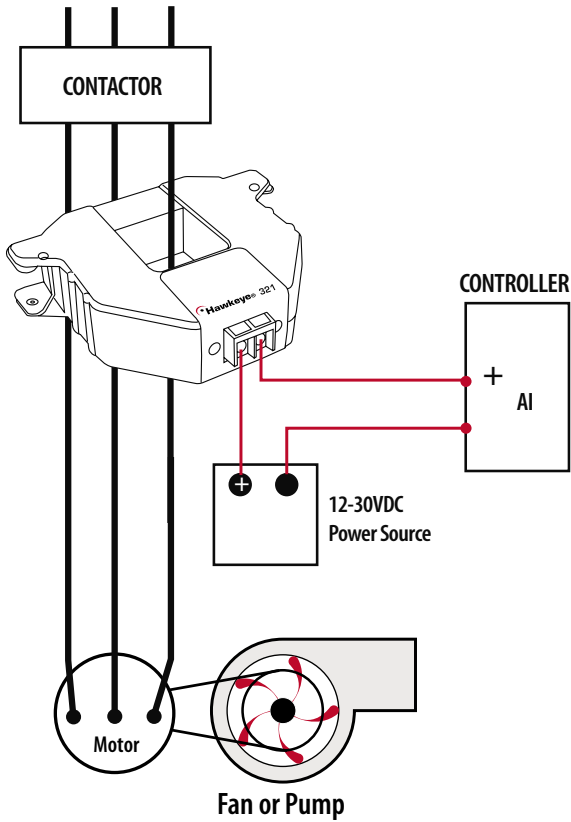


Factory calibration available upon request

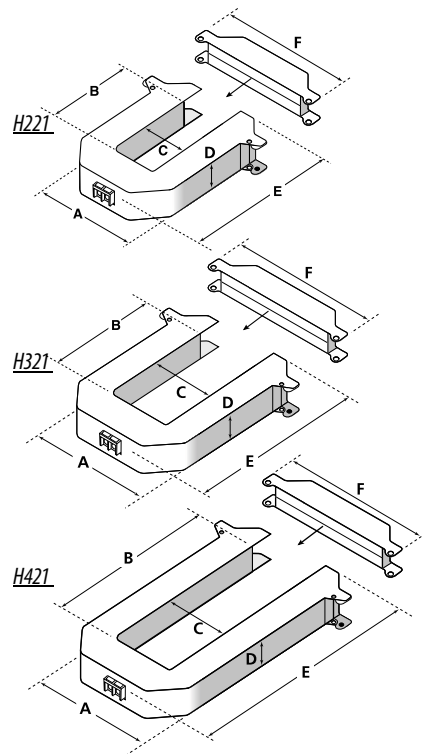
ACCESSORIES

Universal Power Supply, Universal Mounting Bracket Kit...See page 234

APPLICATIONS/WIRING EXAMPLE



DIMENSIONAL DRAWINGS



H221	H321	H421
A = 3.75" (96 mm)	A = 4.90" (125 mm)	A = 4.90" (125 mm)
B = 1.51" (38 mm)	B = 2.89" (73 mm)	B = 5.50" (140 mm)
C = 1.25" (32 mm)	C = 2.45" (62 mm)	C = 2.45" (62 mm)
D = 1.13" (29 mm)	D = 1.13" (29 mm)	D = 1.13" (29 mm)
E = 4.20" (107 mm)	E = 5.57" (142 mm)	E = 8.13" (207 mm)
F = 4.75" (121 mm)	F = 5.91" (151 mm)	F = 5.92" (151 mm)

SPECIFICATIONS

Amperage Range:	
Model 221	0-300A (potentiometer scalable)
Model 321	0-800A (potentiometer scalable)
Model 421	0-2400A (potentiometer scalable)
Output	4-20mA
Insulation Class	600VAC rms
Frequency Range	60Hz nominal
Temperature Range	-15° to 60°C
Humidity Range	0 - 95% non-condensing
Accuracy	2%
Response Time	2 sec.
Supply Voltage	12 to 30VDC
Supply Current	30mA max.
Zero Adjustment	3.5 to 4.5mA