



Hawkeye® 721LC/721HC/921

Solid- & Split-Core 4-20mA Output Loop Powered Current Transducers

Easy 2-wire Installation

Slide Switch Scaling for Easy Setup

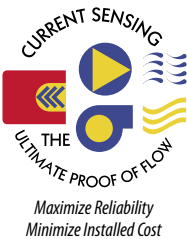
H921

5 Year Warranty

The Hawkeye 721LC, 721HC, & 921 provide accurate load trending information with a proportional 4-20mA output signal. Preset slide-switches provide easy field setup of sensed amperage range without clumsy jumpers.

APPLICATIONS

- Load trending
- Motor control



ORDERING INFORMATION

MODEL	AMPERAGE RANGE	OUTPUT TYPE
H721LC Solid-Core	0-10/20/40A	4-20mA, loop powered
H721HC Solid-Core	0-50/100/200A	4-20mA, loop powered
H921 Split-Core	0-30/60/120A	4-20mA, loop powered



ACCESSORIES

Universal Power Supply, Universal Mounting Bracket Kit... See page 234

Loop powered analog current sensor simplifies installation

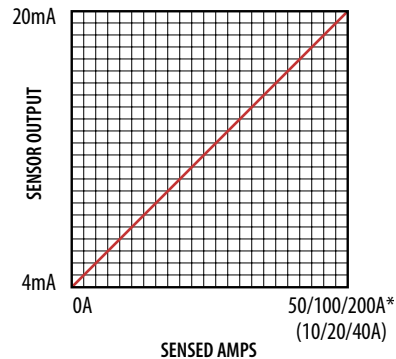
- Power the sensor and receive the signal with only two wires...lower cabling & commissioning costs than with traditional 3-wire sensors
- Self-gripping split-core for fast retrofit installation... no need to remove conductor (H921)
- Economical solid-core features adjustable bracket for easy alignment

Selectable factory calibrated ranges up to 200A for increased flexibility and resolution

- Factory calibrated switch selectable ranges for high resolution and installation ease
- Three field-selectable ranges per unit... fewer versions to choose from, stock, and install
- Mounting bracket for installation flexibility
- 5-year limited warranty

H721HC (LC) LINEAR OUTPUT

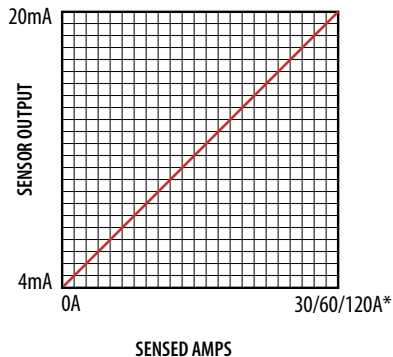
Scale software as shown



*Factory calibrated ranges selected with the amperage range switch

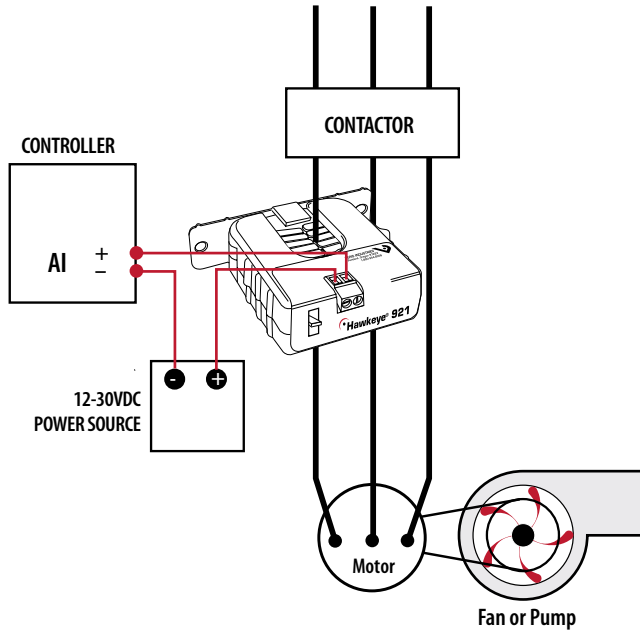
H921 LINEAR OUTPUT

Scale software as shown

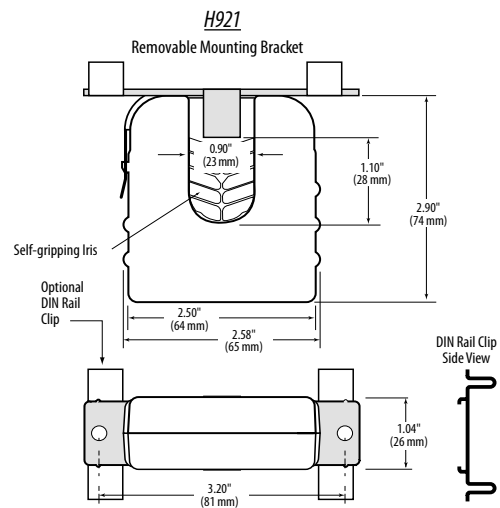
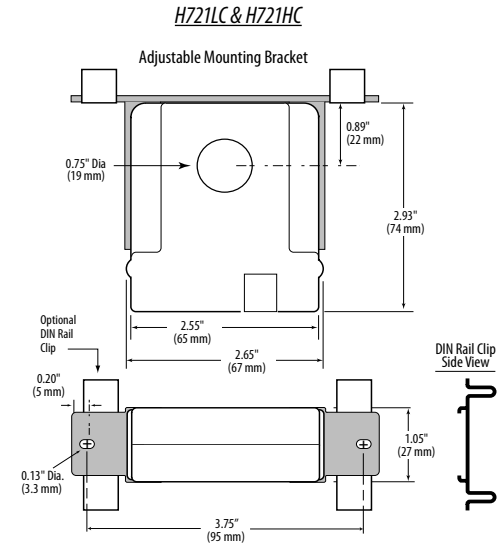


*Factory calibrated ranges selected with the amperage range switch

APPLICATIONS/WIRING EXAMPLE



DIMENSIONAL DRAWINGS



SPECIFICATIONS

Amperage Range	See ordering table
Output	4-20mADC
Insulation Class	600VAC rms
Frequency	60Hz. nominal
Temperature Range	-15° to 60°C
Humidity Range	0 - 95% non-condensing
Accuracy	±2%
Response Time	2 sec.
Supply Voltage	12-30VDC Loop powered
Supply Current	30mA (max.)
Dimensions (H721LC & H721HC)	2.93" (74mm) x 2.65" (67mm) x 1.05" (27mm)
Sensor Hole Size	0.75" (19mm) Diameter
Dimensions (H921)...(LxWxH)	2.90" (74mm) x 2.58" (65mm) x 1.04" (26mm)
Sensor Opening Size (H921)...(LxW)	1.10" (28mm) x 0.90" (23mm)