

# H721/921/931

## Loop Powered 4-20 mA Output



**EASY 2-WIRE INSTALLATION!**

### DESCRIPTION

The H721, 921, 931, and 951 provide accurate load trending information with a proportional 4-20mA output signal. The H931 and H951 features an integral command relay for start/stop applications.

### APPLICATIONS

- Load trending
- Motor control

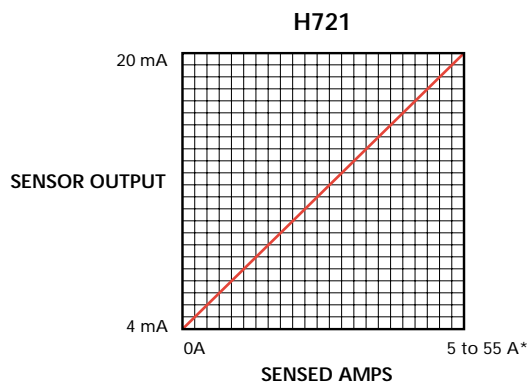
### Loop-powered analog current sensor with integral start/stop command relay

- Reduces the number of installed components...saves time and space
- Self-gripping split core for fast retrofit installation...no need to remove conductor (H921/931)
- Economical solid-core features adjustable bracket for easy alignment
- No jumpers on unit...reduces installation error
- Loop powered...reduces wiring and install time

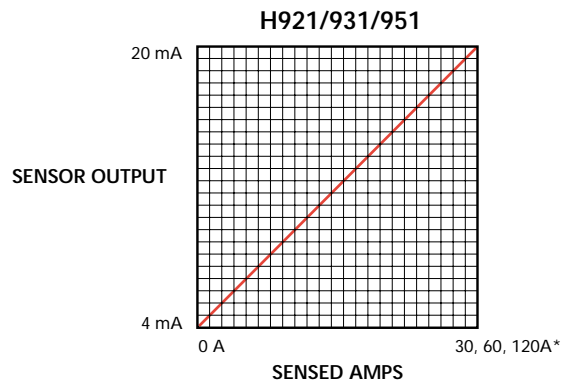
### Selectable factory calibrated ranges up to 120 A for increased flexibility and resolution

- Factory calibrated switch selectable ranges (30, 60, 120 A) for high resolution and installation ease
- One device to install...reduces installation charges
- Mounting bracket for installation flexibility
- 24 VAC/DC command relay switches up to 5 A @ 240 VAC
- Made in USA; 5 year limited warranty

ANALOG CURRENT SENSORS



\*Adjusted with Span Potentiometer



\*Factory calibrated ranges selected with the amperage range switch

### Ordering INFORMATION

MODEL	AMP RANGE	OUTPUT	COMMAND RELAY
Split-core H931	0-30/60/120 A	4-20 mA, loop powered	●
H921	0-30/60/120 A	4-20 mA, loop powered	●
*H951	0-30/60/120A	4-20 mA, loop powered	9-12VDC ● relay coil

### AMPERAGE RANGE

MODEL	4mA	20mA (SPAN)	OUTPUT
Solid-core **H721	0A	5A-55A	4-20 mA, loop powered

### Optional Ordering INFORMATION

MODEL	DESCRIPTION
H700/900-DIN	DIN Rail Clip Set compatible with all split-core models

Not available for the H721

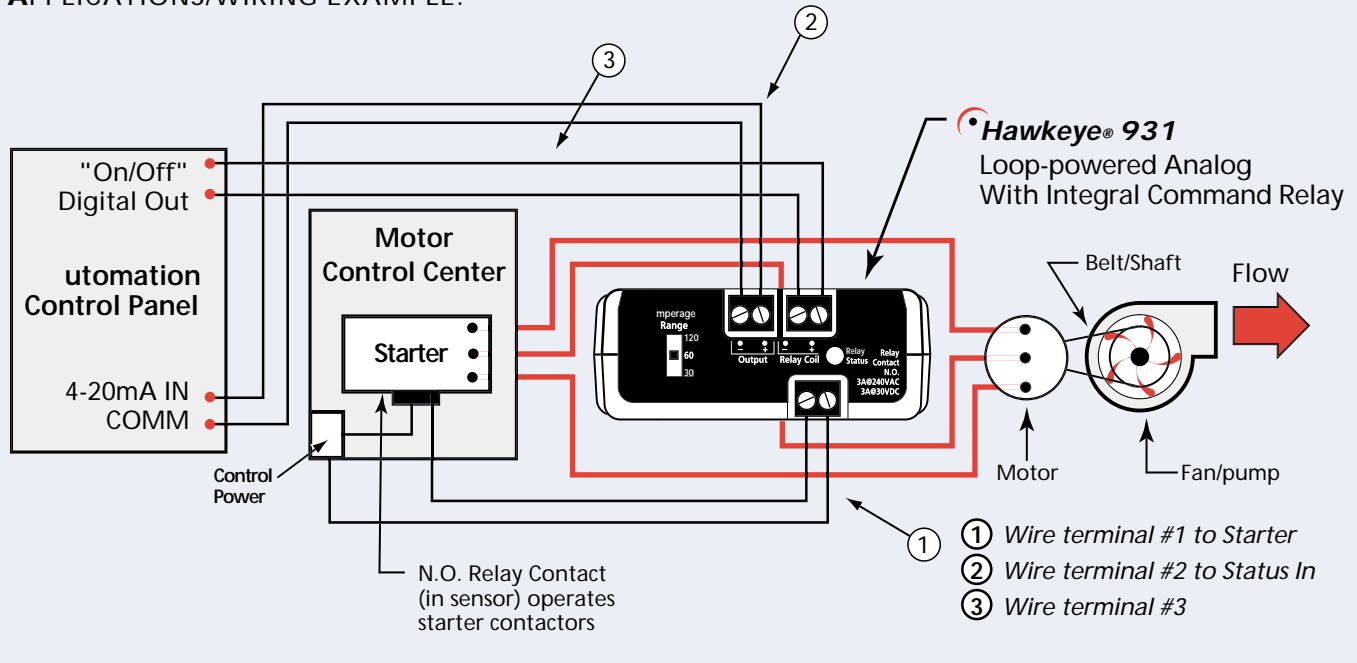
COMMAND RELAY: Coil = 24VAC/DC@10 mA; Contact = Form A (SPST) 5(3)@250 VAC/30 VDC, 1/8 HP



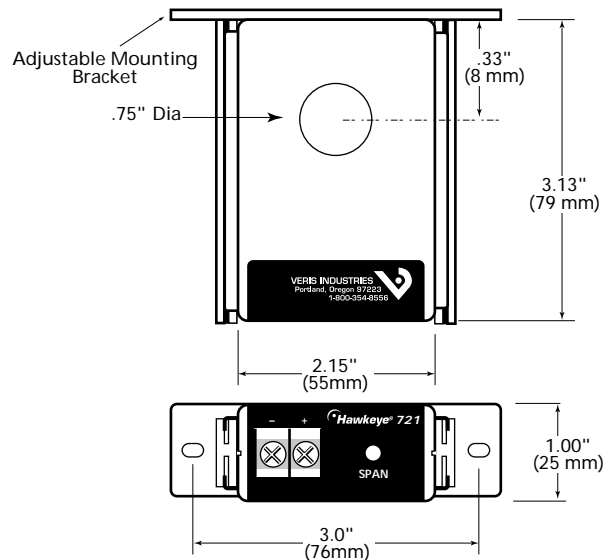
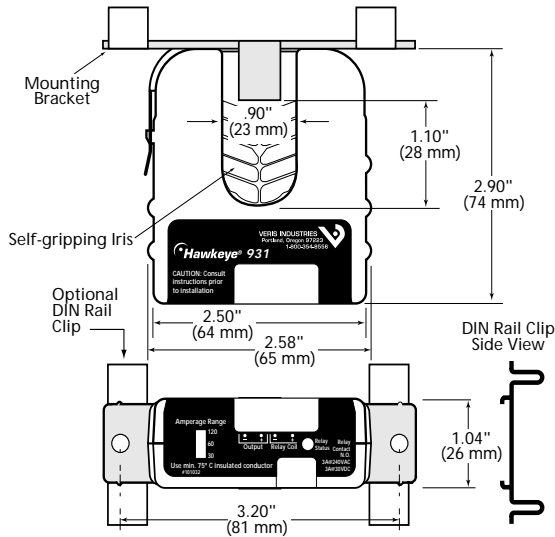
\* H951 not UL listed

\*\*Custom calibration available upon request

APPLICATIONS/WIRING EXAMPLE:



DIMENSIONAL DRAWINGS



SPECIFICATIONS

Amperage Range .....	see ordering table
Isolation .....	600 VAC rms
Frequency Range .....	60 Hz. nominal
Accuracy	
H721 .....	±2% of reading from 10% to 100% of full scale range
H921/931 .....	±2% full scale from 10% to 100% of full scale
Temperature Range .....	-15 to 60° C
Humidity Range .....	0 - 95% non-condensing
Relay Coil .....	24 VAC/DC 15 mA nom.; 9-12VDC/20mA (H951)
Solid-core H721 Dimensions .....	L x W x H 3.13" x 2.15" x 1.00"
Sensor Hole Size .....	0.75"
Split-cores H921/931 Dimensions .....	L x W x H 2.90" x 2.58" x 1.04"
Sensor Hole Size .....	(L x W) 1.10" x .90"
Sensor Supply Voltage .....	12-30VDC

ANALOG CURRENT SENSORS