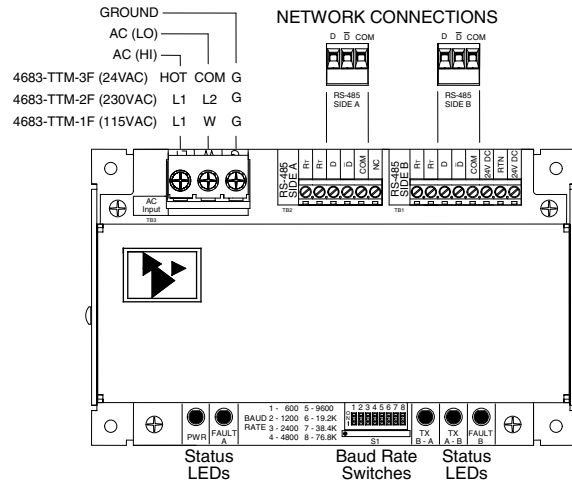


Network Accessories: 4683 Series

4683-TTM RS-485 to RS-485 Network Repeater



For N2 or BACnet MS/TP bus ♦ Drives up to 32 RS-485 devices ♦ Isolates and boosts signal up to 4000 ft.

Description

Models

4683-TTM-1F: 115V AC Power
 4683-TTM-2F: 230V AC Power
 4683-TTM-3F: 24V AC Power

Acromag's RS-485 network repeater device allows users to take full advantage of the RS-485 standard's extended communication distances and multi-dropping capabilities. In addition, these devices offer field selectable End-of-Line Network (EOLN) terminations on both the A and B networks.

Operation is transparent to all devices and no handshaking is required. Up to thirty-two RS-485 devices can be driven. Network repeaters are ready to mount on any base plate. Or, for a harsh environment, it can be installed in a NEMA enclosure of your choice. No enclosure is necessary for use in a laboratory or office. Installation requires mounting, connecting power and cables, and setting the baud rate.

Approvals

UL/cUL listed:
 Energy management equipment

Key Features & Benefits

- Designed for use with Johnson Controls N2 or BACnet bus
- No handshaking
- No extra control lines
- I/O signal isolation
- Baud rates of 600, 1200, 2400, 4800, 9600, 19.2K, 38.4K, and 76.8K are switch selectable
- Field-selectable end-of-line network terminations on both A and B sides
- Electrical transient protection is provided. This protects the host computer from destructive noise spikes and other transient signals.
- Status LED's indicate transmission direction, RS-485 bus fault conditions, and power applied.
- 24/115/230V AC power available
- No separate transformer required with 24V AC units (4683-TTM-3F)

Operation

Model 4683-TTM-xF network repeaters isolate and boost RS-485 signals allowing communication signals to travel another 4000 ft. Each repeater permits the addition of another 32 unit load to a network.

The repeater has two RS-485 "sides" known as the A and B sides. The A side typically connects to the network towards the host and the B side connects to the extended network. Functionally, the A and B sides are equivalent.

Repeaters receive AC power through a 3-screw terminal strip. Transient signal protection is provided on both RS-485 sides.

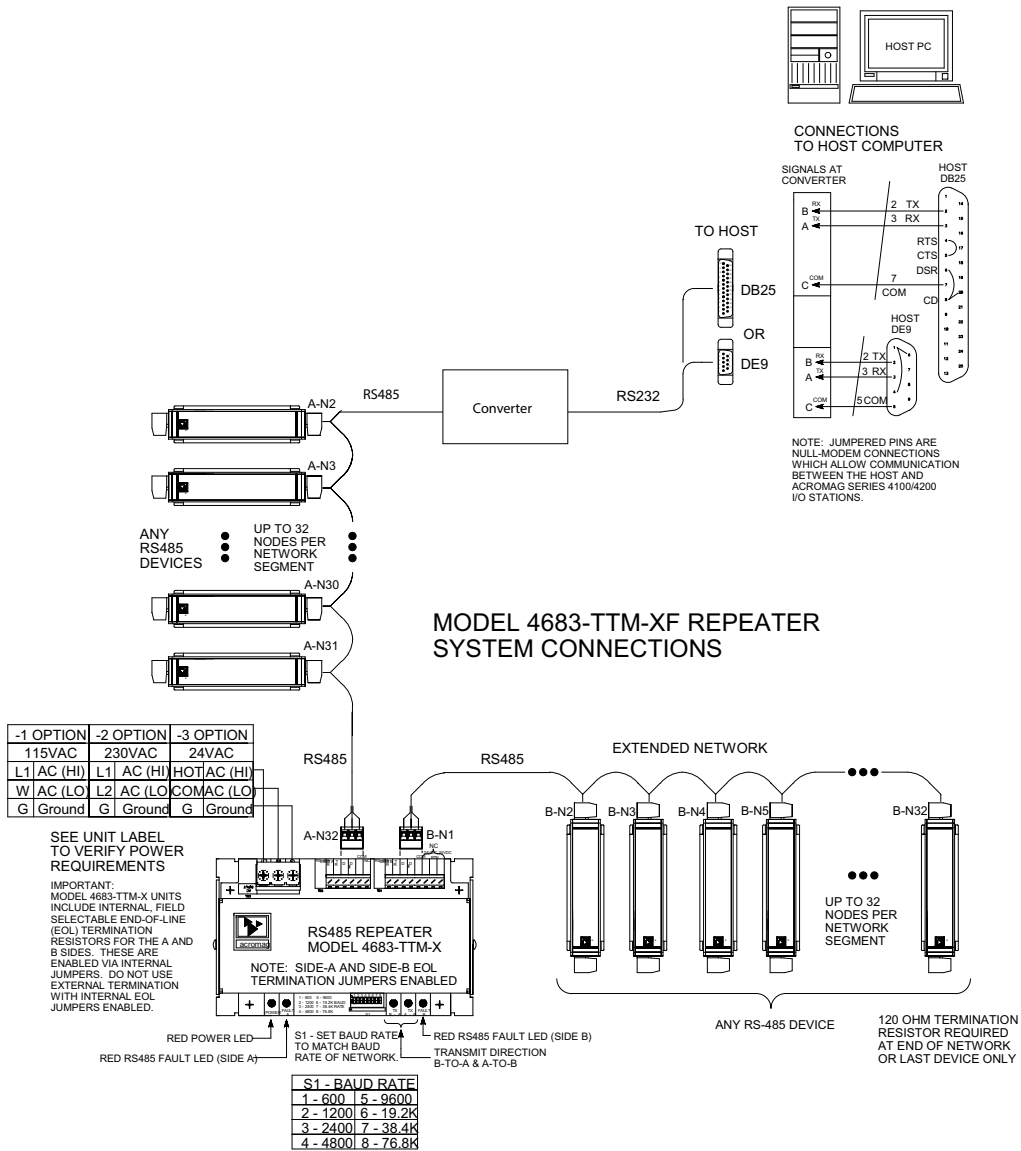
When both RS-485 lines are idle, each side is in receive mode. When a '1' to '0' transition is detected (signifying a start bit) on either side, the opposite side's transmitter is enabled. The transmitter stays enabled for one character's time (based on the baud rate switch setting). The received character is then passed through.



Tel 248-295-0880 ■ Fax 248-624-9234 ■ sales@acromag.com ■ www.acromag.com ■ 30765 Wixom Rd, Wixom, MI 48393 USA

Network Accessories: 4683 Series

4683-TTM RS-485 to RS-485 Network Repeater



The station configuration drawing is for general illustration purposes only. Johnson Controls system customers should instead refer to the Metasys® Network Technical Manual for N2 Bus Communication, or the MS/TP Communication Bus Technical Bulletin for wiring connections using the 4683-TTM-xF repeater.

ISO9001
AS9100

MADE IN USA

Acromag

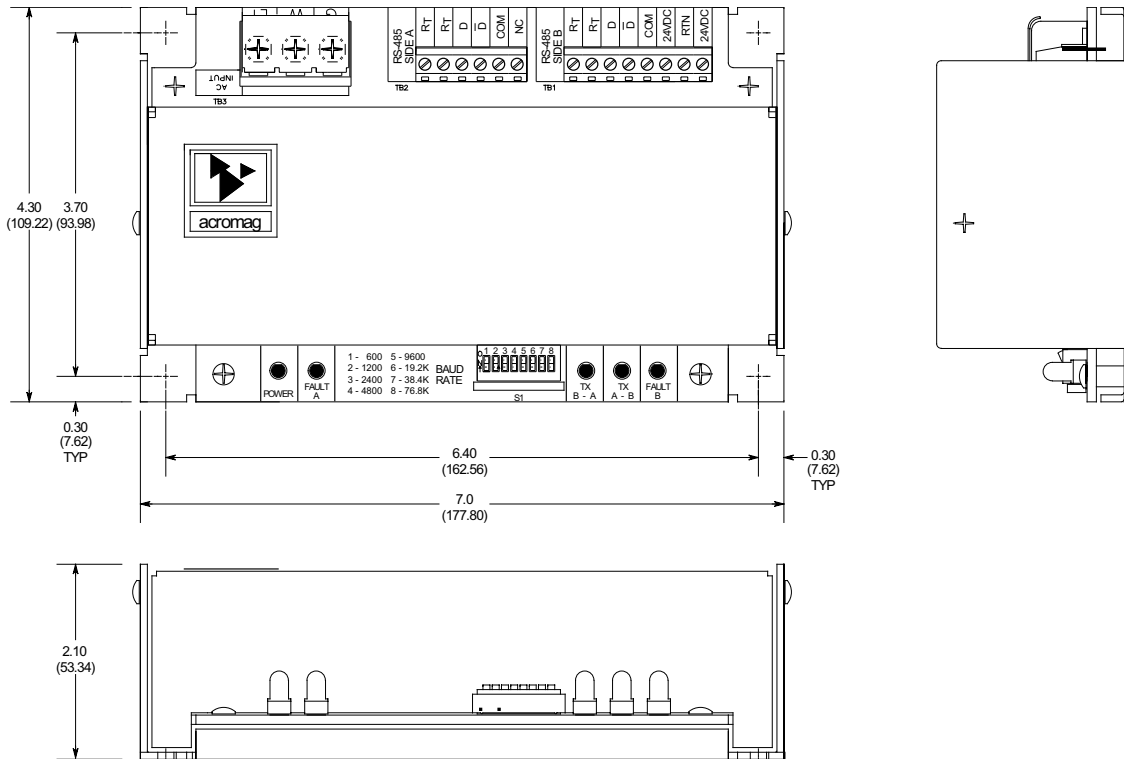
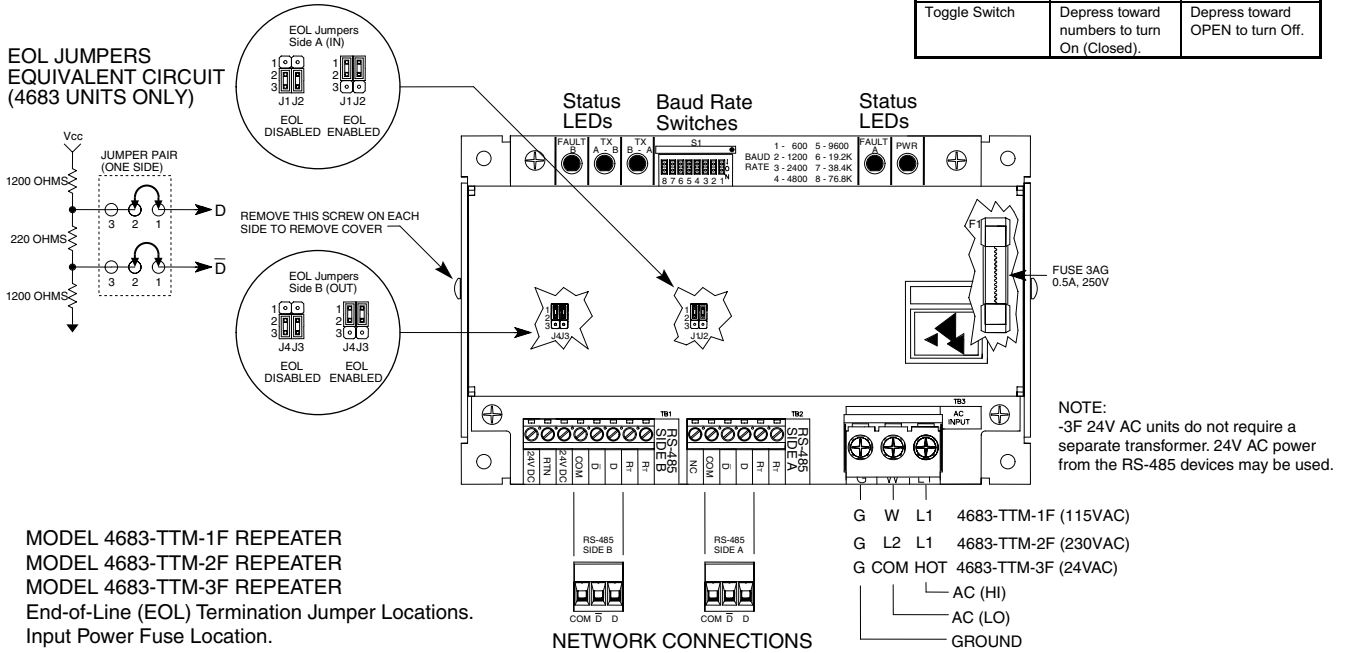
THE LEADER IN INDUSTRIAL I/O

Tel 248-295-0880 ■ Fax 248-624-9234 ■ sales@acromag.com ■ www.acromag.com ■ 30765 Wixom Rd, Wixom, MI 48393 USA

Network Accessories: 4683 Series

4683-TTM RS-485 to RS-485 Network Repeater

Switch Variation	Switch Operation	
Slide Switch	Slide with arrow to turn ON.	Slide opposite to arrow to turn Off.
Toggle Switch	Depress toward numbers to turn On (Closed).	Depress toward OPEN to turn Off.



ISO9001
AS9100

MADE IN USA

Acromag

THE LEADER IN INDUSTRIAL I/O

Tel 248-295-0880 ■ Fax 248-624-9234 ■ sales@acromag.com ■ www.acromag.com ■ 30765 Wixom Rd, Wixom, MI 48393 USA

Network Accessories: 4683 Series

4683-TTM RS-485 to RS-485 Network Repeater

Performance Specifications

■ Communication Specifications

Baud Rates

Switch settings on unit for 600, 1200, 2400, 4800, 9600, 19.2K, 38.4K, and 76.8K baud rates. Switch must be in the proper baud rate position for proper operation.

RS-485 Bus Loading

One unit load equivalent.

RS-485 Bus Drive

Complete RS-485 compliance for up to 32 unit loads (31 unit loads if a repeater is used).

End-of-Line Termination Network

The EOLN termination network is shown on the right and is individually selected on both the A and B sides by a pair of shorting clips. The A-side is controlled by jumper pair J1, J2 and the B-side is controlled by jumper pair J3 and J4.

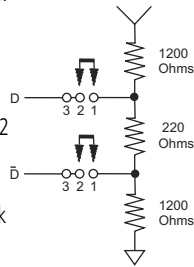
The EOLN termination network is enabled for the A side or B side when the associated pair of jumpers are positioned over pins 1 and 2. Conversely, the EOLN is disabled (out of the circuit) when the pair jumpers are positioned over pins 2 and 3.

Duplex

Half duplex only.

Data Format

Ten bits typical (1 start bit, 8 data bits, and 1 stop bit). Other formats are supported.



■ Specifications

Power Line Fuse

0.5A, 125V, 0.75A, 3AG type.

Isolation

Provides galvanic and opto-coupler isolation between RS-485(A), RS-485(B), AC power, and chassis ground. Common mode voltages are permitted up to 250V rms or 354V DC (withstands a 1500V AC dielectric strength test for 1 min. without breakdown) on a continuous basis. Complies with requirements outlined in ANSI C39.5-1974 for voltage ratings specified.

RFI Resistance

Withstands an RFI field strength of 10V per meter at 27 Mhz, 151 Mhz, and 467 Mhz with no digital effect, per SAMA PMC 33.1.

Line Noise Effects

Field and power line terminals withstand ANSI/IEEE C37.90-1978 Surge Withstanding Capability (SWC) Test with no component failures. Unit is tested to a standardized test waveform that is representative of surges (high-frequency transient electrical interference), observed in actual installations.

Communications Connections

Network repeater - both RS-485 connectors use modular terminal blocks with screw clamps. Wire range 14 to 26 AWG.

Power Wire Connections

Network repeater terminal block. See label on unit for power to be applied to unit.

Shipping Weight

3.0 pounds (1.4 kg) packed per unit.

■ Environmental

Operating temperature

-25 to 70° C (-13 to 158° F)

Storage temperature

-25 to +85° C (-13 to 185° F)

Relative humidity

0 to 95% RH (noncondensing), up to 40° C (104° F).

Power

4683-TTM-1F
115VAC ±10%, 50/60 Hz, 0.05A

4683-TTM-2F
230VAC ±10%, 50/60 Hz, 0.03A

4683-TTM-3F
24VAC ±10%, 50/60 Hz, 0.18A typical

Approvals

UL/cUL listed – energy management equipment.

Ordering Information

Models

4683-TTM-1F

115V ACPower.

4683-TTM-2F

230V ACPower.

4683-TTM-3F

24V ACPower.

Accessories

See www.acromag.com for more information.



Tel 248-295-0880 ■ Fax 248-624-9234 ■ sales@acromag.com ■ www.acromag.com ■ 30765 Wixom Rd, Wixom, MI 48393 USA