

IS310/IS320 REQUEST-TO-EXIT PIR



Honeywell's Request-to-Exit (RTE) sensors offer basic and full-featured models to suit every access control application. The quick-install sensors are extremely flexible, provide a generous amount of wiring room and contain built-in internal "tamper proof" shutters to enable precise target area detection.

FEATURES

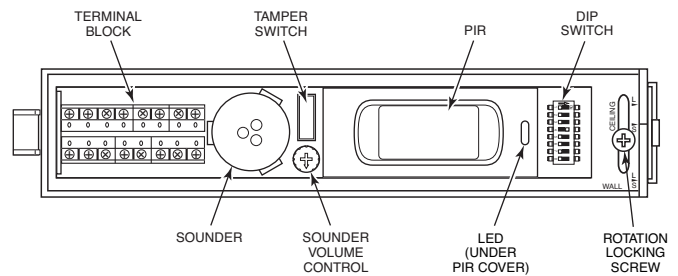
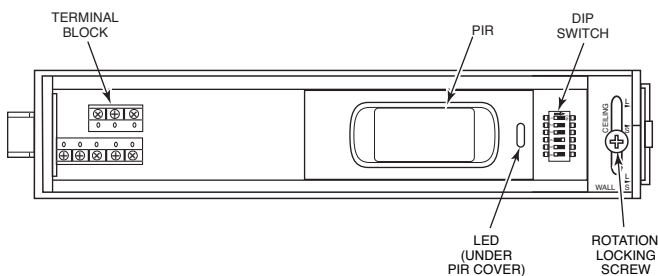
IS310:

- Adjustable relay time (0.5 - 64 seconds)
- Micro-based signal processing
- Adjustable "tamper proof" shutters— to enable precise target area detection
- Two "Form C" outputs
- Swivel optics – allow for offset mounting
- Patented black bug guard
- Available in white or black

IS320:

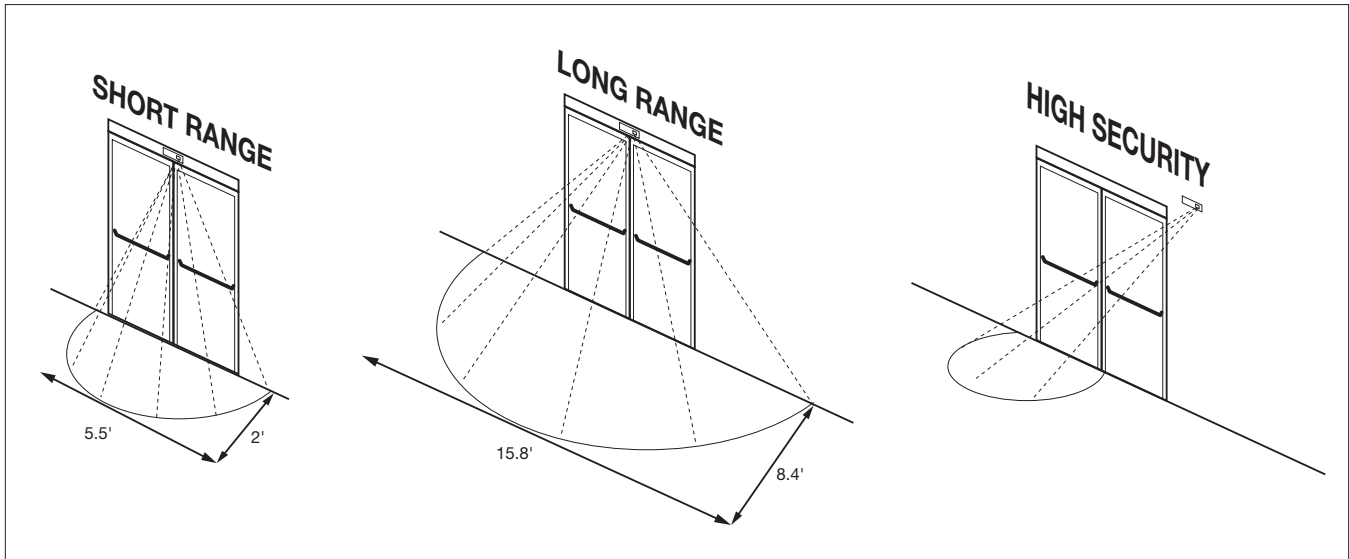
IS320 includes the same features as IS310, plus:

- Piezo Sounder with volume control
- Door contact input
- Reader/keypad/keyswitch input
- Remote arming and sounder inputs
- Cover tamper



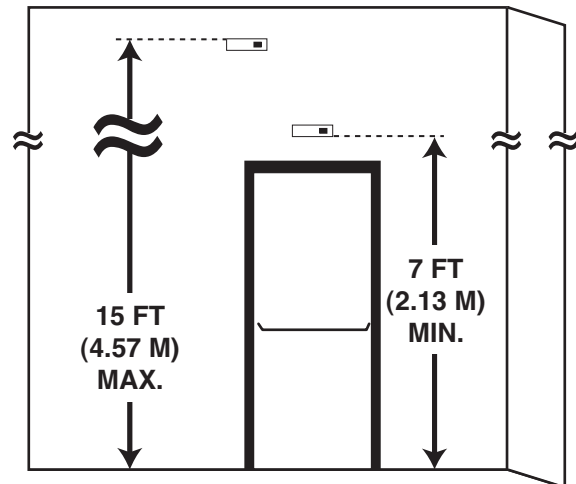
SPECIFICATIONS

RANGE



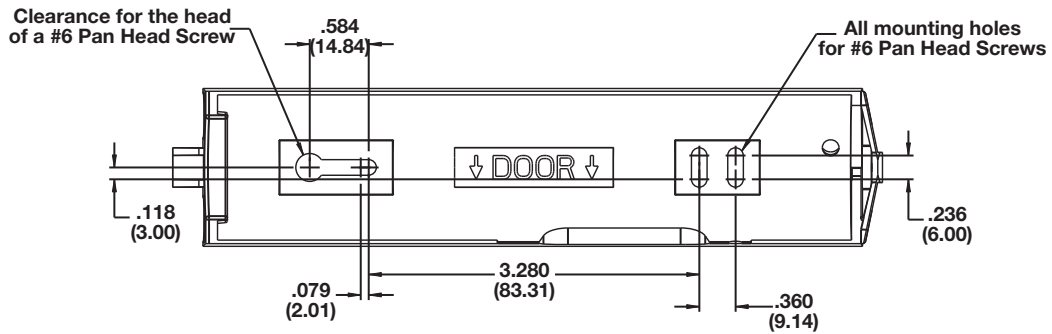
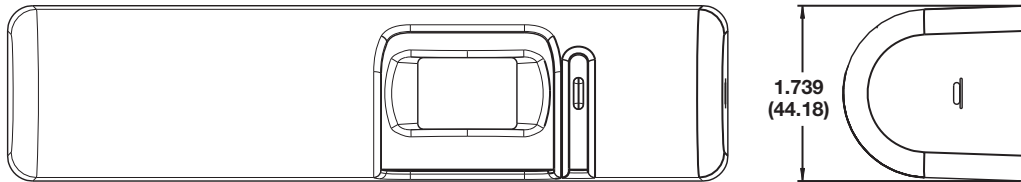
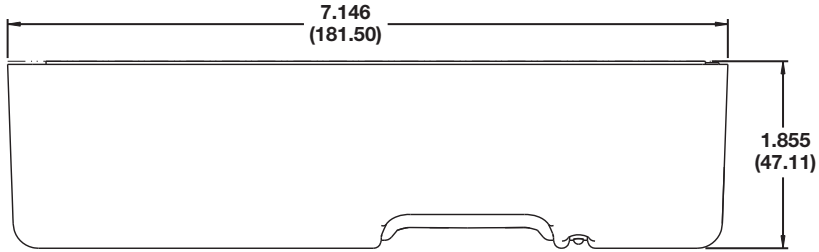
- **Range:** From 5.5' x 2' (1.67m x 0.6m) up to 15.8' x 8.4' (4.8 x 2.5m) depending on mounting height
- **Mounting Height:** 7' to 15' (2.13m x 4.51m)
- **Detectable Walk Rate:** 0.5'-10'/sec
- **Signal Processing:** RTE and Security modes
- **Temperature Compensation:** Advanced dual-slope
- **Alarm Relay:** Two "Form C" outputs
- **Input Voltage:** 12-24 volts AC or DC
- **Standby Current:** 35mA
- **Indicators:** Green (ready) LED
- **Operating Temperature:** 14° F to 122° F (-10° C to 50° C)
- **Dimensions:** 7" L x 2" H x 2" D (17.7cm x 5cm x 5cm)
- **Sounder:** Adjustable to 60 dB@10' (3.05m)*
- **Cover Tamper Switch:** contact rating 100mA 30VDC*

MOUNTING HEIGHT

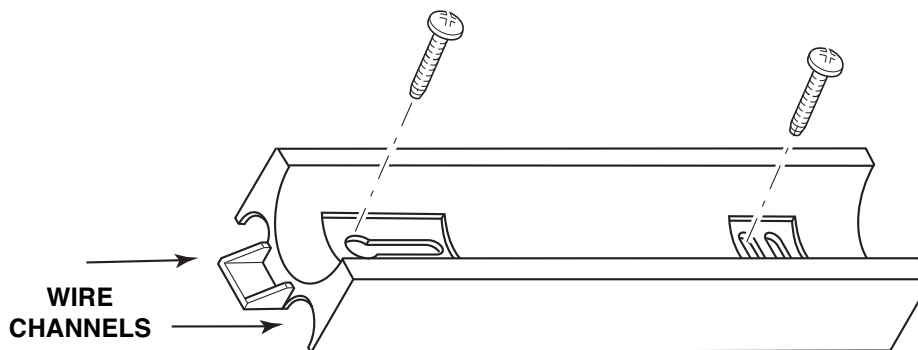


*IS320 model only

SPECIFICATIONS



View showing sensor mounting plate with front cover and PCB removed



IS310/IS320

REQUEST-TO-EXIT PIR

ORDERING

IS310WH (0-000-361-01)	Entry Level RTE - White
IS310BL (0-000-361-02)	Entry Level RTE - Black
IS320WH (0-000-361-03)	Fully Featured RTE - White
IS320BL (0-000-361-04)	Fully Featured RTE - Black
RTE6PKWH	Six pack of IS310WH - White
RTE6PKBK	Six pack of IS310BL - Black

ACCESSORIES

IS310WHTP (5-531-395-01)	Trim Plate for IS310 and IS320 - White
IS310BLTP (5-531-395-02)	Trim Plate for IS310 and IS320 - Black



IS310WHTP



IS310BLTP