

## READ THESE INSTRUCTIONS BEFORE YOU BEGIN INSTALLATION

### INSTALLATION

The **iAIRE** register ionization air purifier can be installed to clean spaces up to 9,000 ft<sup>3</sup>. It is designed to fit in standard 2x4 stud walls. It comes equipped with a pigtail wiring harness extending from the power access opening.

### MOUNTING / WIRING

Find a suitable location to mount the register air purifier. It is designed to fit any standard 2x4 stud wall.

Create an opening for the register to slide in (opening dimensions should be 12-7/8 in x 6-1/8 in) [figure 1.1]. Check the part number on the label for actual voltage and run power to your wall opening.

The unit has two mounting holes to accommodate register screws [figure 1.2]. The air purifier should be mounted to the wall using screws.

**⚠** (It is recommended when mounting within a wall to secure the air purifier using drywall anchors or to wall studs directly. If setting inside the space, place in an area where the air purifier is not likely to fall.)

fig. 1.1 (wall opening inches [cm])

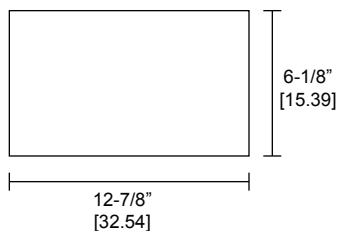
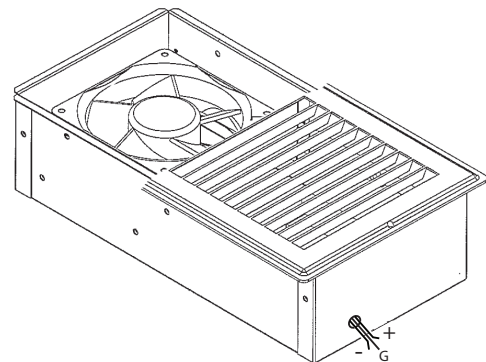
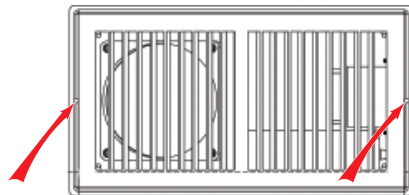


fig. 1.2 (screw holes for wall mounting)



### WIRING

PRODUCT ACCEPTS 115 / 208 / 230 / 277 VAC 1Ø POWER. Check part # on label for actual voltage.

**⚠** (Be sure to follow all local and electrical codes. Turn off power to the unit before mounting or making any connections.)

- Check the label on the product and wire it only to the voltage range shown.
- Mount external electrical box outside of wire opening. Pull the wires from the ion device into the electrical box and wire to meet all applicable codes.
- Unit should be powered 24/7 or it may be interlocked to fan operation (or other similar controls).
- Green LED will illuminate when powered and operating.

### ION-BA\*0\*

#### VOLTAGE:

D - 115VAC, 1φ  
 E - 208VAC, 1φ  
 G - 230VAC, 1φ  
 J - 277VAC, 1φ

#### FAN:

1 - Size 1  
 2 - Size 2  
 3 - Size 3