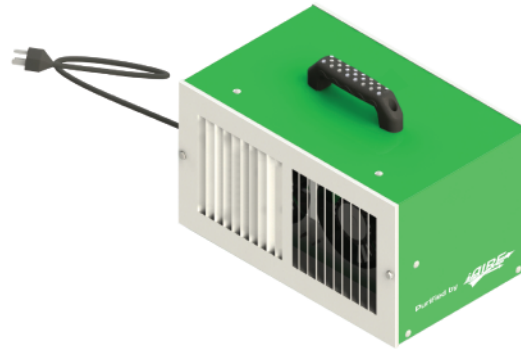
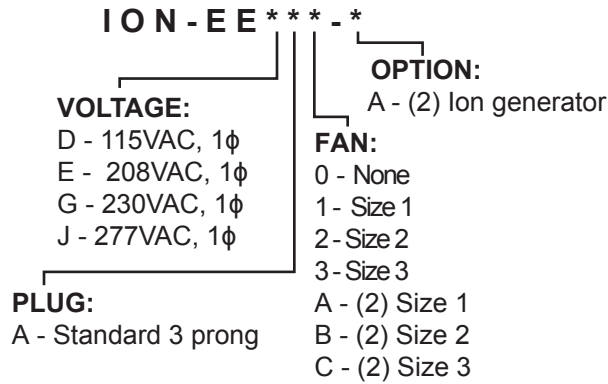


## ION - E E \* \* \* - \* | Stand-Alone air purifier

### Part Number

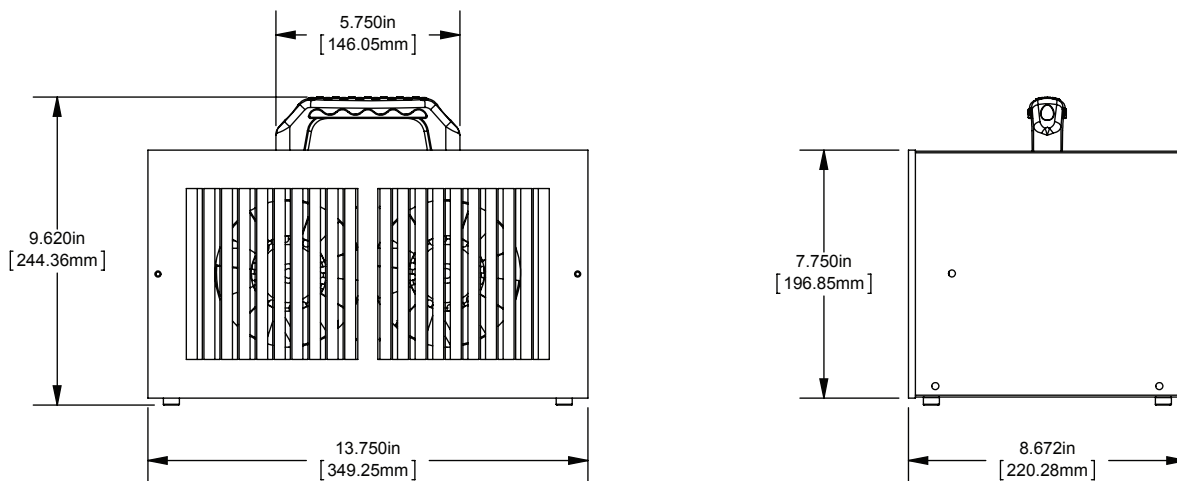


**Weight** 9 lbs [4.0 kg]

### Product Application

*iAIRE's* stand-alone ionization air purifier comes with an internal fan (1 or 2) and ion device built in and can be used to purify spaces up to 18,000 ft<sup>3</sup>. It removes odors, allergens, bacteria and mold. The unit is designed to temporarily purify spaces. An optional mounting bracket is available for permanent installation. This register is best for larger spaces. It comes equipped with a power cord. No maintenance required or filters to clean.

### Product Dimensions (inches [mm])



### Technical Data

Part Number	Voltage	Fan	Total PWR	Total Current	Est Sound	Est Airflow	Capacity
ION-E*DA1	115	SIZE 1	6.1 watts	52.61 mA	28 dB	50 cfm	3,000 ft <sup>3</sup>
ION-E*DA2	115	SIZE 2	10.2 watts	88.96 mA	45 dB	98 cfm	5,400 ft <sup>3</sup>
ION-E*DA3	115	SIZE 3	17.9 watts	155.91 mA	59 dB	166 cfm	9,000 ft <sup>3</sup>
ION-E*DAA	115	SIZE 1 (2x)	7.4 watts	64.09 mA	33 dB	95 cfm	6,000 ft <sup>3</sup>
ION-E*DAB	115	SIZE 2 (2x)	15.7 watts	136.78 mA	50 dB	182 cfm	10,800 ft <sup>3</sup>
ION-E*DAC	115	SIZE 3 (2x)	31.1 watts	270.70 mA	62 dB	302 cfm	18,000 ft <sup>3</sup>
ION-E*D*0	115	NONE	4.7 watts	41.13 mA	NONE	N/A	N/A
ION-E*D*0-A	115	NONE	9.5 watts	82.26 mA	NONE	N/A	N/A