

Central management for the entire network

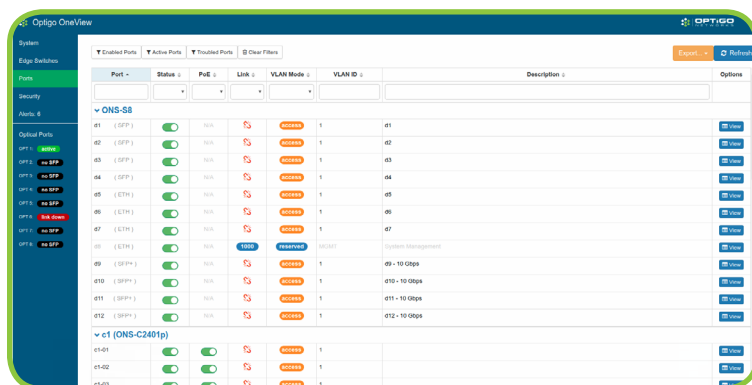
Visibility throughout a building network is crucial for systems with hundreds to thousands of devices. The Network Controller pairs with the Smart Aggregation Switch to host Optigo OneView™, the user-friendly dashboard that monitors and manages the entire network from one screen. When the edge switches are connected to the network, they will automatically register with Optigo OneView™. There, users can quickly and easily see the status of their ports, know how much bandwidth they are using, and configure VLANs from a single pane of glass. With Optigo OneView™ managing the network, the time to configure each switch for management, VLANs, and security is reduced from days to a few minutes.

Security and efficiency combined

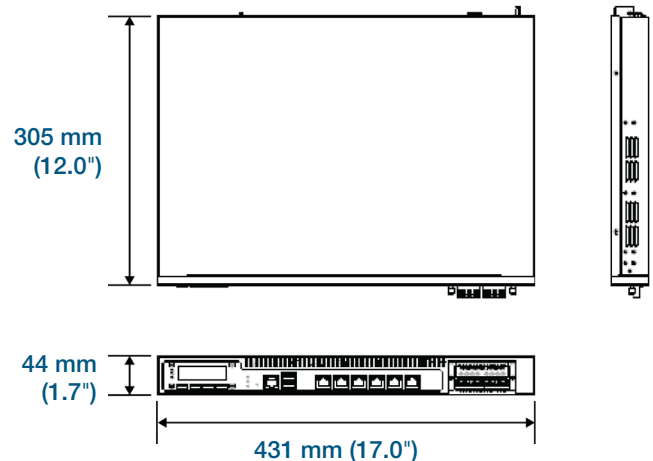
OneClick Secure™ ensures users do not have to choose between having a secure network or being able to make quick changes. OneClick Secure™ closes all open ports and locks used ports to the applicable MAC address with the click of a button. Users can simply unlock the necessary ports to make changes, then re-secure the entire network with a single click.

Product highlights

- View tens to thousands of ports in a simple interface, with responsive search filters and sorting functions.
- Keep track of the system's bandwidth with detailed port counters and real-time bandwidth/utilization calculations.
- Get system information at a glance with the built-in LCD screen.
- Integrate into third-party user interfaces such as the BMS or VMS by using Optigo's robust API.
- Pinpoint communication errors and bottlenecks from a BMS.
- Power cycle any Power-over-Ethernet devices, such as IP cameras, right from a VMS.



ONS-NC600 Network Controller



Network management with Optigo OneView™

OneClick Secure™ – Ensure complete port security with instant MAC lockdown and disabling of all unused ports to prevent cyberattacks.

Single Pane of Glass Management – Manage all ports from all switches in a single graphical view. Never configure a switch individually and never use the CLI again.

Advanced PoE Management – Centrally manage PoE use and distribution. Real-time PoE budget (used/available) is displayed on a per switch basis, and PoE power consumption is displayed on a per port basis. Optigo OneView™ also allows you to enable, disable, or reset any port easily.

Bandwidth Management – Keep track of the system's bandwidth with detailed port counters and real-time bandwidth/utilization calculations.

Simplified Network Maintenance – Run all OT network maintenance through a single interface. Simple and fast diagnostic reports, configuration, firmware upgrades, or even switch resets — all at the touch of a button.

ONS-NC600 Network Controller Specifications

PORTS AND PHYSICAL CHARACTERISTICS	
MANAGEMENT PORT	1 × 10/100/1000 Mbps Management port (Mgmt)
ETHERNET PORTS	5 × 10/100/1000 Mbps (Reserved)
CONSOLE	1 × RJ45
USB SUPPORT	2 × USB 2.0
POWER	100–240 VAC @ 50 ~ 60 Hz Max 150 W ATX Power Supply
COOLING SYSTEM	1 × cooling fan with smart fan control
LCD MODULE	LCD with keypad
WATCHDOG	Yes
INTERNAL RTC WITH LI BATTERY	Yes
OPERATING ENVIRONMENT	0°C ~ 40°C (32°F ~ 104°F) 5–90% Humidity (non-condensing)
STORAGE ENVIRONMENT	–20°C ~ 70°C (–4°F ~ 158°F) 5–95% Humidity (non-condensing)
DIMENSIONS	431 mm × 305 mm × 44 mm (17" × 12" × 1RU)
WEIGHT	4.0 kg (8.8 lb)
MOUNTING	Rack (brackets included)
CERTIFICATIONS	UL 60950-1, CE Class A, FCC Class A, RoHS

MANAGEMENT WITH OPTIGO ONEVIEW™	
SOFTWARE	OneView™ Network Management Software
EDGE SWITCH MANAGEMENT	Manage up to 256 Edge Switches
UPDATE	SW Update via USB, WebGUI
WEB SERVER	HTTP/HTTPS Access

Ordering Information

ONS-SW-100p	Software license to manage 100 Edge Switch ports.
ONS-S8	Smart Aggregation Switch to aggregate traffic and deliver the optical backbone of your network.