



Model - HGP-A
High-Low Gas Switch
with Reset Lever



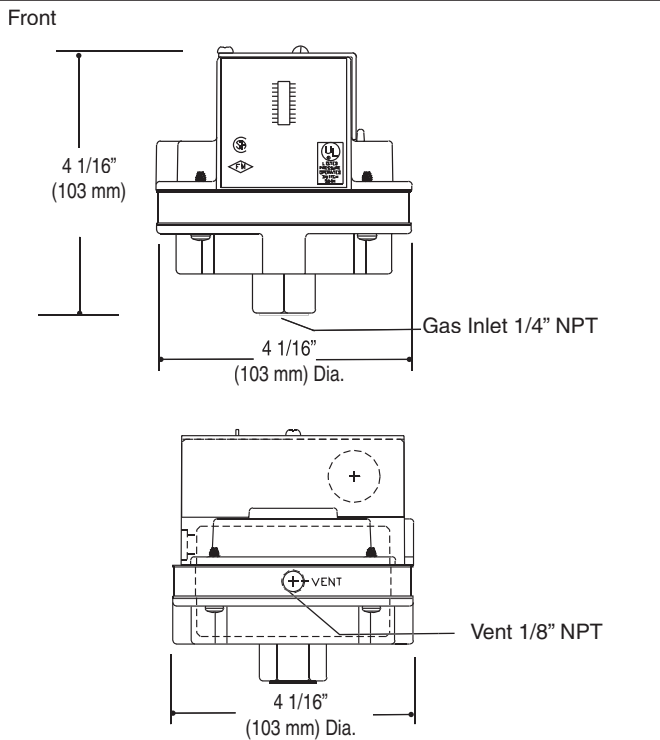
Model - RHLGP-A
High-Low Gas Switch
Recycle Type

Antunes Controls High-Low and single gas pressure switches monitor gas pressure and cuts off the electrical control circuit when pressure drops below or rises above the desired set point. The high and low gas pressure settings are adjustable and all models are available in reset or recycle type.

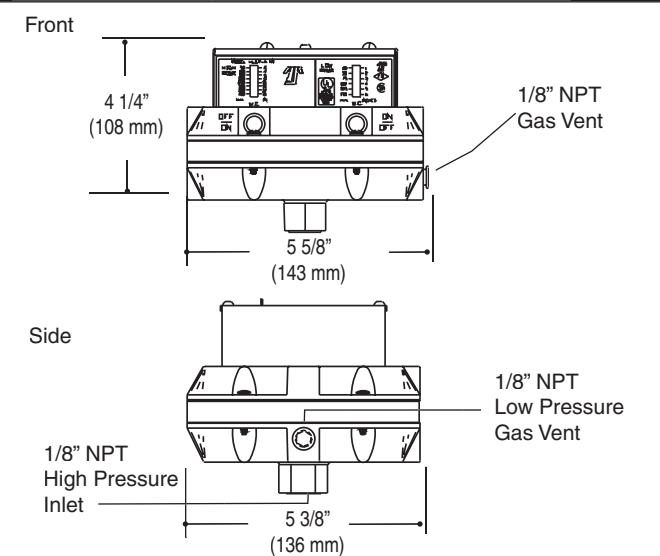
Features:

- Mount Horizontally - Does Not Require Accurate Leveling
- Double Switch May be Ordered with any Combination of High or Low Pressure Ranges
- Select Range to Meet Your Requirements
- Setpoint Indication
- Rugged Die Cast Aluminum Housing
- Max. surge pressure 10 P.S.I.
Max. ambient temperature 140°F, 60°C.
Min. Ambient Temperature -40°F, -40°C.

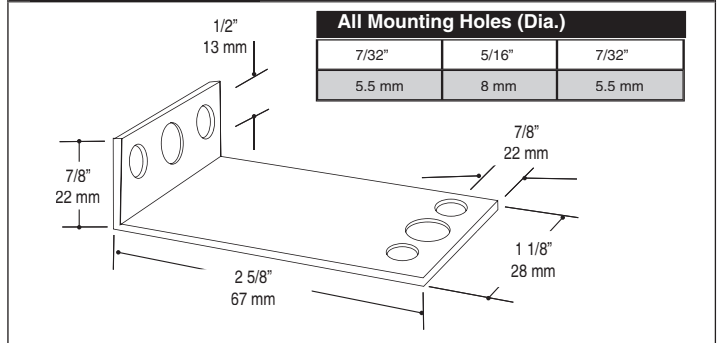
Dimensions: Single Gas Pressure Switch



Dimensions: High Low Gas Pressure Switch



Mounting Bracket:



Options:

Panel Mount: Specify "Mounting Bracket" on order

Dust Proof: Specify "Dust Proof" on order (recycle type only).

Ranges Available (All Models)

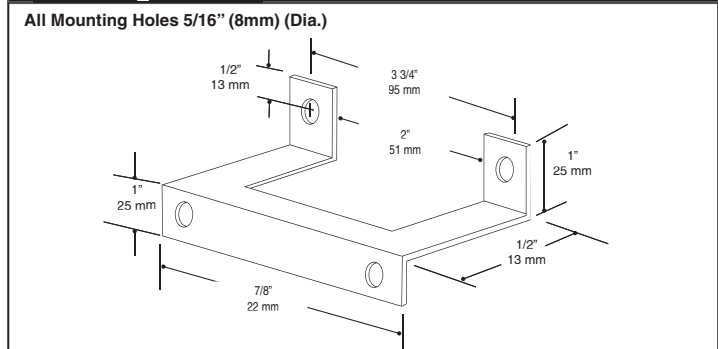
High Gas Pressure		Low Gas Pressure	
W.C.	mm	W.C.	mm
2 - 16" W.C.	50-400	1-6" W.C.	25-150
5 - 28" W.C.	125-700	1-35" W.C.	25-875
10 - 50" W.C.	250-1250	2-14" W.C.	50-350
		6-24" W.C.	150-600
		10-50" W.C.	250-1250

Model Numbers

HLGP-A - High-Low Gas Switch with Reset Lever

RHLGP-A High Low Gas Switch Recycle Type

Mounting Bracket:



Electrical Ratings:

10A, 1/8 HP, 125 VAC

5A, 1/4 HP, 250 VAC

Pilot Duty - 125 VA, 125/250 VAC

Limitation of Liability. If it is understood and agreed that seller's liability whether in contract, in tort, under any warranty, in negligence or otherwise, shall not exceed the return of the amount of the purchase price paid by purchaser and under no circumstances shall seller be liable for special, indirect or consequential damages. The price stated for the equipment is a consideration in limiting seller's liability. No action, regardless of form, arising out of the transactions may be brought by purchaser more than one year after the cause of action has accrued.