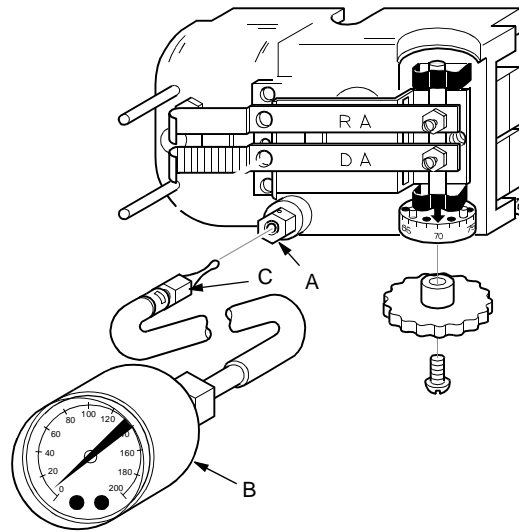
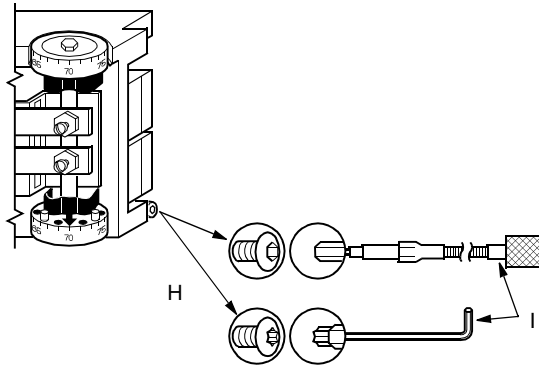


T-4000 Series

# Test Equipment

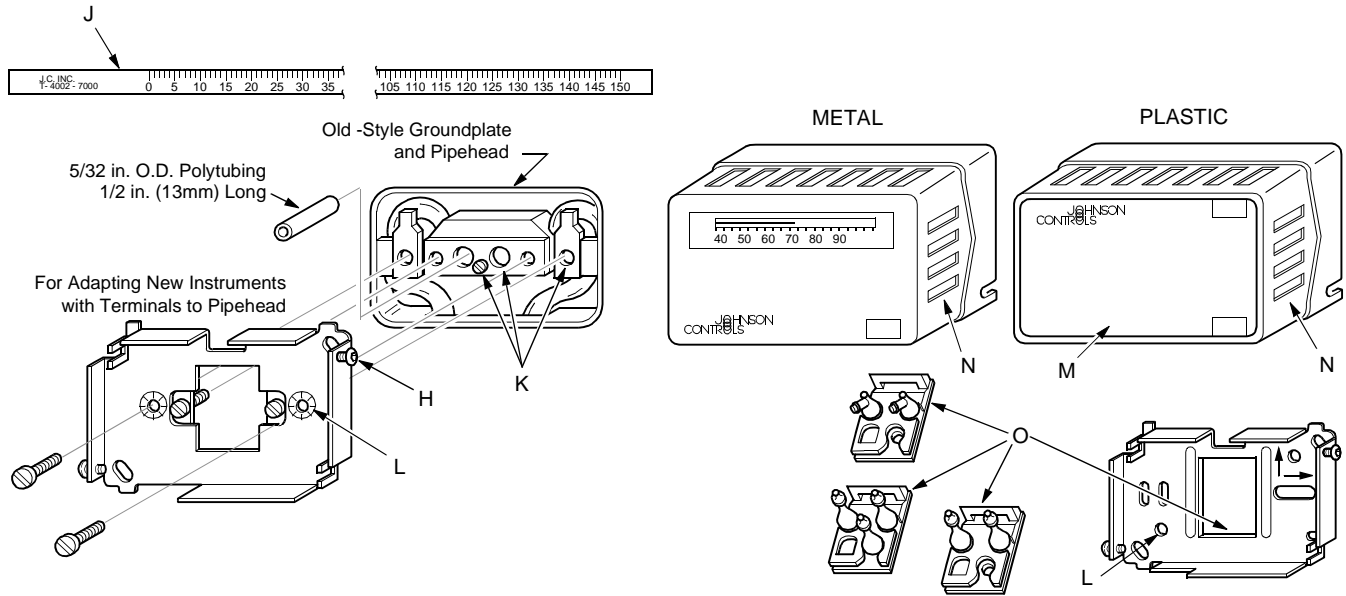


Code Number	Callout	Description	Where Used
T-4000-615	A	Test Port Fitting, Plug-In (Order in Multiples of Ten)	All Instruments
JC 5310	B	Test Gages	0 to 30 psig (0 to 210 kPa)
JC 5386			50 to 100°F, 40 to 240°F, 40 to 65°F, 60 to 85°F
JC 5361	C	Hypodermic Test Probe with Two Needles	All Instruments Using the T-4000-615 Test Port Fitting
JC 5384		Replacement Needles (Order in Multiples of 12)	All Instruments



Code Number	Callout	Description	Where Used
T-4002-617	H	Screws for Cover and Bracket	#4-40 x 1/4 in. Hex Screws (Order in Multiples of 100)
T-4000-627			#4-40 x 1/4 in. Torx Tamper Proof Screws with Driver (Order in Multiples of 50)
T-4000-628			#4-40 x 1/4 in. Torx Tamper Proof Screws (Order in Multiples of 100)
JC 5309	I	Cover and Bracket Screwdrivers	Allen Head Flex Driver (Order in Multiples of One)
T-4000-629			Torx Tamper Proof Driver (Order in Multiples of Five)

**T-4000 Series Test Equipment (Continued)**



Code Number	Callout	Description			Where Used
T-4506-100	J	Stick-On Dial Strips: (Order in Multiples of Five) Horizontal Thermostats	Upper	0 to 150°F	Dual Dial Thermostats Only (Upper Dial)
T-4506-102				-20 to 80°C	
T-4000-115			Lower	0 to 150°F	Single or Dual Dial Thermostats (Lower Dial)
T-4000-117				-20 to 80°C	
T-4000-116		Stick-On Dial Strips: (Order in Multiples of Five) Vertical Thermostats	Right	0 to 150°F	Single or Dual Dial Thermostats (Right Dial)
T-4000-118				-20 to 80°C	
T-4506-101			Left	0 to 150°F	Dual Dial Thermostats Only (Left Dial)
T-4506-103				-20 to 80°C	
T-4002-625	K	Pipehead Gasket and Holding Screw For Two-Pipe and Three-Pipe Instruments (Order in Multiples of Ten)			All Instruments with Pipeheads or Aspirator Wallboxes
M-4002-600		Cover and/or Bracket Holding Nut (Order in Multiples of 50)			
T-4002-6049	L	Mounting Brackets	For Old-Style Pipeheads		
T-4002-124		Mounting Brackets; Kit Includes Drywall Clips, Spacers, and Mounting Templates	For Terminal Connectors (Order in Multiples of Ten)		

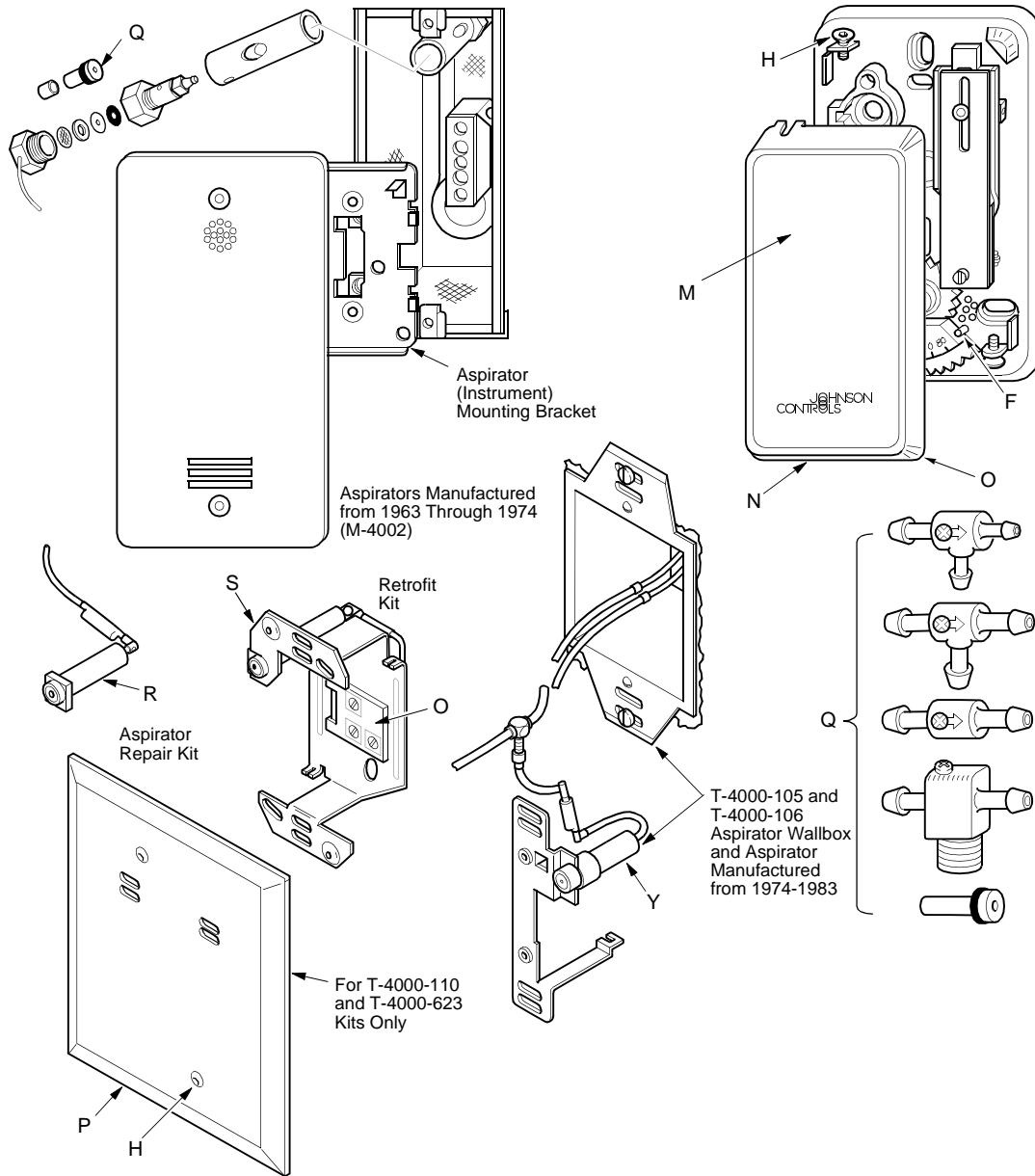
### T-4000 Series Test Equipment (Continued)

Code Number	Callout	Description	Where Used	
T-4000-6140	M	Faceplates for Plastic Covers (Order in Multiples of Ten)	All 4000 Series Instruments with 1-3/4 in. High Plastic Covers Note: Faceplates with Thermometer and Dual Window Cutouts Cannot be Used on Old- Style, 1-5/8 in. High Plastic Covers	
T-4000-6142				Horizontal, Thermometer, No Windows
T-4000-6146				Horizontal, Thermometer, Single Window
T-4000-6147				Vertical, Thermometer, Single Window
T-4000-6147				Vertical, Thermometer, No Windows
T-4756-6739				Vertical, Thermometer, Dual Windows
T-4756-6738				Horizontal, No Thermometer, Dual Windows
T-4756-6141			Horizontal, Thermometer, Dual Windows	Horizontal, No Thermometer, Dual Windows
T-4756-6145			Vertical, No Thermometer, Dual Windows	
T-4000-6139			Horizontal Johnson Controls Logo Only	
T-4000-6144			Vertical, Johnson Controls Logo Only	
T-4000-6145			Vertical, No Thermometer Single Window	
T-4000-6141			Horizontal, No Thermometer Single Window	
T-4000-6138			Blank	These Faceplates can also be used on Old- Style Covers.
T-4100-101			Horizontal Johnson Controls Logo Only	
T-4100-102			Horizontal Thermometer Johnson Controls Logo Only	
T-4100-100			Blank	All T-4100 and T-4600 Series Thermostats
T-4000-2138	N	Beige Plastic Covers with Faceplates	All Instruments Except T-4100 and T-4600 Series Thermostats	
T-4000-2139				Horizontal, Blank
T-4000-2140				Horizontal, No Thermometer, No Windows
T-4000-2141				Horizontal, Thermometer, No Windows
T-4000-2141				Horizontal, No Thermometer, Single Window
T-4000-2142				Horizontal, No Thermometer, Single Window
T-4000-2142				Horizontal, Thermometer, Single Window
T-4000-2144				Vertical, No Thermometer, No Windows
T-4000-2145				Vertical, No Thermometer, Single Window
T-4000-2151				Vertical, Thermometer, No Windows
T-4000-2146				Vertical, Thermometer, Single Window
T-4756-1738				Vertical, Thermometer, No Windows
T-4756-1739				Vertical, Thermometer, Single Window
T-4756-2141				Horizontal, Thermometer, Dual Windows
T-4756-1739			Vertical, Thermometer, Dual Windows	
T-4756-2141	Horizontal, No Thermometer, Dual Windows			
T-4100-600	Vertical, Thermometer, Single Window (Also Includes a Blank Faceplate)	T-4100 and T-4600 Series Thermostats		

### T-4000 Series Test Equipment (Continued)

Code Number	Callout	Description	Where Used		
T-4000-3140		Horizontal, Thermometer	All Instruments Except T-4100 and T-4600 Series Thermostats		
T-4000-3142		Horizontal, Thermometer, Single Window			
T-4000-3139		Horizontal, No Thermometer, No Windows			
T-4000-3141		Horizontal, No Thermometer, Single Window			
T-4000-3144		Vertical, No Thermometer, No Windows			
T-4000-3145		Vertical, No Thermometer, Single Window			
T-4000-3139B		Horizontal, No Thermometer, No Windows (Order in Multiples of 50)			
T-4002-2137		N (continued)		Horizontal, Blank, Nickel	All Instruments Except T-4100 and T-4600 Series Thermostats.  Note: Covers with Thermometers Cannot Be Used with Dual Dial Thermostats.
T-4002-2126	Horizontal, No Thermometer, No Windows, Nickel				
T-4002-2127	Horizontal, No Thermometer, No Windows, Brass				
T-4002-2123	Horizontal, Thermometer, Single Window, Nickel				
T-4002-2124	Horizontal, Thermometer, Single Window, Brass				
T-4506-2000	Horizontal, No Thermometer, Dual Windows, Nickel				
T-4506-2001	Horizontal, No Thermometer, Dual Windows, Brass				
T-4502-1736	Horizontal, No Thermometer, Slot for Indexing Switch, No Windows, Nickel				
T-4502-1735	Horizontal, Thermometer, Slot for Indexing Switch, Single Window, Nickel				
T-4506-2004	Horizontal, No Thermometer, Slot for Indexing Switch, Dual Windows, Nickel				
T-4002-2132	Vertical, No Thermometer, No Windows, Nickel				
T-4002-2133	Vertical, No Thermometer, No Windows, Brass				
T-4002-2129	Vertical, Thermometer, Single Window, Nickel				
T-4002-2130	Vertical, Thermometer, Single Window, Brass				
T-4506-2002	Vertical, No Thermometer, Dual Windows, Nickel				
T-4506-2003	Vertical, No Thermometer, Dual Windows, Brass				
T-4002-2137	Horizontal, Blank, Nickel				
T-4000-616	O		Terminal Connectors (Order in Multiples of Ten)	For T-4000-110 Aspirator Wallbox	
T-4002-122			Three-Pipe Angle Fitting	All Two-Pipe Instruments	
T-4002-123			Two-Pipe Straight Fitting		
T-4512-100		Two-Pipe Angle Fitting	All Three-Pipe Instruments		

**T-4000 Series Test Equipment (Continued)**



### T-4000 Series Test Equipment (Continued)

Code Number	Callout	Description	Where Used
T-4000-111	P	Aspirator Wallbox Covers	Beige
T-4000-112		Stainless Steel	
R-3710-1005	Q	Restrictors (Order in Multiples of Ten)	0.005 in., Red
R-3710-2005			0.005 in., Red, 1/4 x 1/4 in., Straight Barbed Fitting
R-3710-2007			0.007 in., Aqua, 1/4 x 1/4 in., Straight Barbed Fitting
R-3710-3005			0.005 in., Red, 1/4 x 1/4 x 1/4 in., Barbed Tee
R-3710-3007			0.007 in., Aqua, 1/4 x 1/4 x 1/4 in., Barbed Tee
R-3710-3105			0.005 in., Red, 1/4 x 1/4 x 1/8 in., NPT Barbed Tee
R-3710-3107			0.007 in., Aqua, 1/4 x 1/4 x 1/8 in., NPT Barbed Tee
R-3710-3205			0.005 in., Red, 1/4 x 5/32 x 5/32 in., Barbed Tee
R-3710-3207			0.007 in., Aqua, 1/4 x 5/32 x 5/32 in., Barbed Tee
T-4000-622			R
T-4000-623	S	Aspirator Wallbox Retrofit Kit, Includes Instrument Mounting Bracket, Aspirator Subassembly, Terminal Connector, and Set Point Adjustment Wrench	Used in Conjunction with T-4000-111 or -112 Wallplate Cover to Upgrade T-4000-105 and T-4000-106 Aspirator Wallbox Kits to T-4000-110 Aspirator Wallbox Kit

**Note:** When replacing a single-dial, dual-dial, dual-element thermostat with a dual-dial, dual-element, a new 1-3/4 in. high cover must be ordered to avoid possible interference between the old cover and the second dial on the new thermostat.