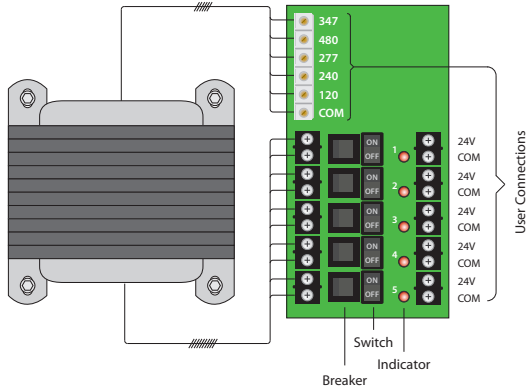


**AC POWER SUPPLY**

**PSH200A-LVC**

Enclosed 200VA Power Supply with Five 40VA Class 2 Outputs, 480/347/277/240/120 Vac to 24 Vac



PSH200A-LVC  
Shown Without  
High Voltage  
Cover &  
Low Voltage  
Access Plate



PSH200A-LVC  
Shown Without  
Low Voltage  
Access Plate



PSH200A-LVC  
Shown With  
Full Cover &  
Access Plate



**SPECIFICATIONS**

**Transformer:** One (1) 200 VA  
**Over Current Protection:** Circuit Breaker  
**Primary:** 480/347/277/240/120 Vac  
**Frequency:** 50/60 Hz  
**Dimensions:** 12.125" x 12.125" x 6.000"  
**Approvals:** Class 2 (UL Approved UL5085-3), UL916, C-UL  
**Housing:** NEMA1 Metal Enclosure  
**Weight:** 20.30 lbs.

**5 Secondaries:**  
24 Vac, with LED Indicators  
**24 Vac ON/OFF:**  
On / Off Switch & Breaker  
**Input:**  
480/347/277/240/120 Vac **Finger-Safe Terminals**, 8-18 AWG  
**Output:**  
5 Ungrounded, Isolated, 40 VA, Class 2, 24 Vac Outputs. Terminals accept 12-26 AWG wire.  
**Ambient Temperature Derating:**  
1.6A up to 40° C ; 1.2A up to 60° C  
(When All 5 Outputs Operated Simultaneously)

**Standby Wattage:**  
18.93 W @ 120 Vac  
22.08 W @ 240 Vac  
22.33 W @ 277 Vac  
23.11 W @ 347 Vac  
25.24 W @ 480 Vac  
**Full Load Primary Current:**  
2.57 A @ 120 Vac  
1.44 A @ 240 Vac  
1.17 A @ 277 Vac  
0.95 A @ 347 Vac  
0.73 A @ 480 Vac

**Secondary Output Voltage vs. Load:**  
24.9V @ 0.5 Amp  
24.0V @ 1.0 Amp  
23.9V @ 1.4 Amp  
23.7V @ 1.6 Amp  
 • With 120 Vac primary input voltage  
 • When all 5 outputs operated simultaneously, at room temperature

POWER SUPPLIES