

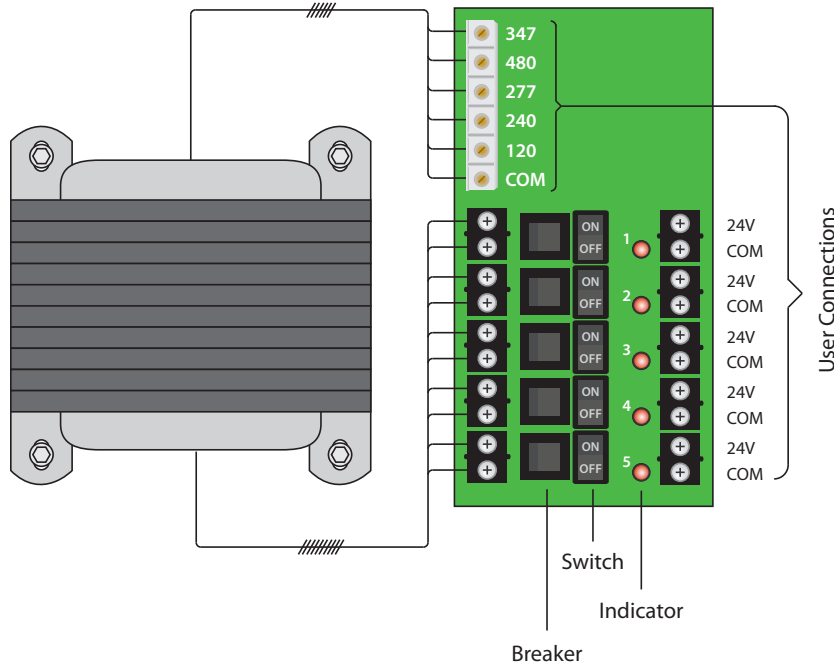
AC POWER SUPPLY

PSH200A

Enclosed 200VA Power Supply with Five 40VA Class 2 Outputs, 480/347/277/240/120 Vac to 24 Vac

PSMN200A

Open Style 200VA Power Supply with Five 40VA Class 2 Outputs, 480/347/277/240/120 Vac to 24 Vac



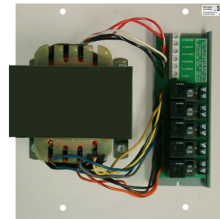
PSH200A
Shown
With
Cover



PSH200A
Shown
Without
Cover



PSMN200A



POWER SUPPLIES

SPECIFICATIONS

Transformer: One (1) 200 VA
Over Current Protection: Circuit Breaker
Primary: 480/347/277/240/120 Vac
Frequency: 50/60 Hz
Dimensions: 12.125" x 12.125" x 6.000" (PSH200A)
 11.330" x 11.400" x 5.000" (PSMN200A)
Approvals: Class 2 (UL Approved UL5085-3), UL916, C-UL
Sub-Panel: Plenum Rated Polymetal Sub-Panel (PSMN200A)
Housing: NEMA1 Metal Enclosure (PSH200A)
Weight: 18.60 lbs. (PSH200A)
 8.00 lbs. (PSMN200A)

5 Secondaries:
 24 Vac, with LED Indicators

24 Vac ON/OFF:
 On / Off Switch & Breaker

Input:
 480/347/277/240/120 Vac **Finger-Safe Terminals**, 8-18 AWG

Output:
 5 Ungrounded, Isolated, 40 VA, Class 2, 24 Vac Outputs. Terminals accept 12-26 AWG wire.

Ambient Temperature Derating:
 1.6A up to 40° C ; 1.2A up to 60° C
 (When All 5 Outputs Operated Simultaneously)

Notes:
 • Open style (PSMN200A) is mounted to sub-panel SP3303 for shipping. Sub-panel may be removed to suit application.
 • Primary voltage terminal cover available. See model AP553-TC on page 141.

Standby Wattage:
 18.93 W @ 120 Vac
 22.08 W @ 240 Vac
 22.33 W @ 277 Vac
 23.11 W @ 347 Vac
 25.24 W @ 480 Vac

Full Load Primary Current:
 2.57 A @ 120 Vac
 1.44 A @ 240 Vac
 1.17 A @ 277 Vac
 0.95 A @ 347 Vac
 0.73 A @ 480 Vac

Secondary Output Voltage vs. Load:
 24.9 V @ 0.5 Amp
 24.0 V @ 1.0 Amp
 23.9 V @ 1.4 Amp
 23.7 V @ 1.6 Amp

• With 120 Vac primary input voltage
 • When all 5 outputs operated simultaneously, at room temperature

347 VAC INPUT VOLTAGE PROVIDES DIRECT CONVERSION FROM MANY CANADIAN SYSTEMS TO CLASS 2 OUTPUTS

PERFECT FOR ISOLATING UP TO FIVE ZONE CONTROLLERS