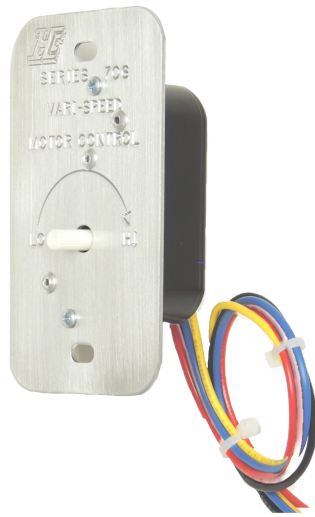


Manual Motor Speed Controller

The 765-ECM Series Controllers are available with a finger friendly adjustment knob in a fully enclosed package that can be mounted in standard electrical boxes.



**765-ECM
Manual ECM Motor Speed Controller**

Description

The 765-ECM Motor Speed Controller is designed to provide manually adjustable, proportional speed control for all sizes and voltages of ECM motors. The 765-ECM is line voltage independent and requires only a 24 VAC supply.

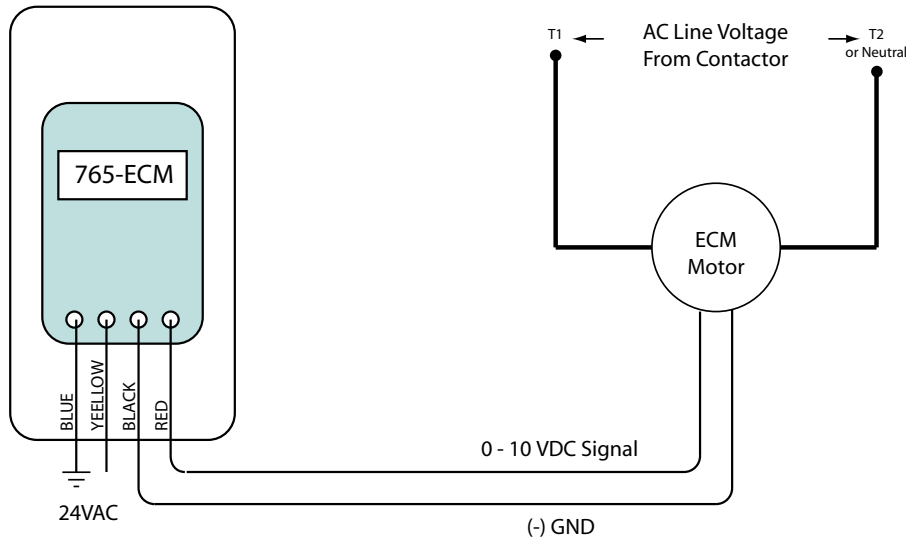
Application

Variable speed control for ECM motors is accomplished via a 0 - 10 VDC output signal. The manual adjustment range of the control pot provides for a 0-100% motor speed range.

The Model 765-ECM Control is capable of sourcing up to 10mA drive current. This will allow for the operation of multiple ECM motors provided the combined maximum drive current does not exceed 10mA.

Specifications

Motor Types	ECM (dc brushless) Motors
Motor Speed	Field Adjustable
Input Voltage	24VAC (+20%/-10%)
Output	0 - 10 VDC 10mA (max.)
	Max Wire Length (22 AWG, twisted pair) 100ft
Humidity	95%, Non Condensing
Ambient	32° – 158° F 0° – 70° C
Dimensions (L x W x H)	4.25" x 2.40" x 1.25"



CAUTION
If a ground reference is applied to the 24VAC power source, the "grounded" lead must be connected to the BLUE wire ONLY.

765-ECM Wiring Diagram