

Selection Guide

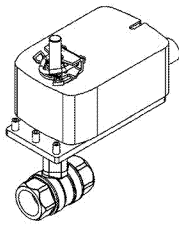
Invensys Ball Valve Assemblies

The Invensys VA, VF, and VS-2X13-XXX-9-XX series Ball Valve Assemblies are complete actuator/valve assemblies that accept two-position, floating, or proportional control signals from a DDC system or a thermostat, for control of hot or chilled water, or solutions of up to 50% glycol. They consist of direct-coupled, DuraDrive or EconoDrive, spring return or non-spring return actuators mounted on 2-way (1/2" to 3") and 3-way (1/2" to 2") ball valve bodies.

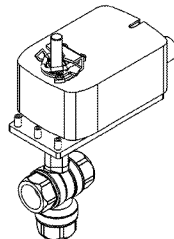
Typical applications include reheat on VAV boxes, fan coil units, hot and chilled water coils in air handling units, and unit ventilators.

DuraLynx Ball Valve Assemblies with DuraDrive

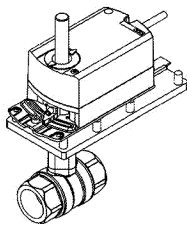
VX-2X13-5XX-9-XX series DuraLynx ball valve assemblies are available with either spring return or non-spring return DuraDrive actuators.



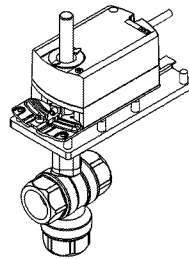
VX-2213-5XX-9-XX
DuraDrive
 2-Way Assembly with
 Spring Return Actuator



VX-2313-5XX-9-XX
DuraDrive
 3-Way Assembly with
 Spring Return Actuator



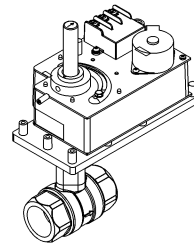
VX-2213-505-9-XX
VX-2213-506-9-XX
DuraDrive
 2-Way Assembly with
 Non-Spring Return Actuator



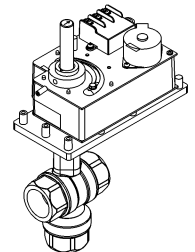
VX-2313-505-9-XX
VX-2313-506-9-XX
DuraDrive
 3-Way Assembly with
 Non-Spring Return Actuator

Ball Valve Assemblies with EconoDrive

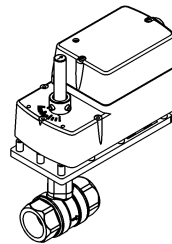
VX-2X13-647-9-XX and VX-2X13-8XX-9-XX series ball valve assemblies are equipped with MF4E series or MX4D series EconoDrive actuators, respectively.



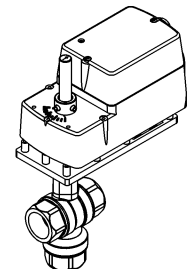
VF-2213-647-9-XX
EconoDrive
 2-Way Assembly with
MF4E Series Actuator



VF-2313-647-9-XX
EconoDrive
 3-Way Assembly with
MF4E Series Actuator



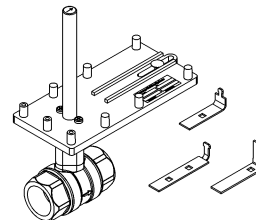
VX-2213-8XX-9-XX
EconoDrive
 2-Way Assembly with
MX4D Series Actuator



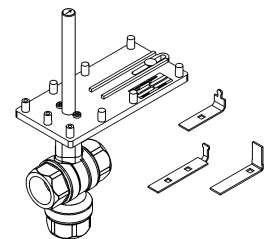
VX-2313-8XX-9-XX
EconoDrive
 3-Way Assembly with
MX4D Series Actuator

Ball Valve Body/Linkage Assemblies

Ball valve body/linkage assemblies allow field mounting of DuraDrive or EconoDrive actuators.



VB-2213-500-9-XX
Body/Linkage Assembly
 with 2-Way Ball Valve



VB-2313-500-9-XX
Body/Linkage Assembly
 with 3-Way Ball Valve

Note: All performance specifications are nominal and conform to acceptable industry standards. For applications at conditions beyond these specifications, consult Invensys Building Systems. Invensys shall not be liable for damages resulting from misapplication or misuse of its products.

Applicable Literature

F-Number	Description	Audience	Purpose
F-26642	MA40-704X, MA4X-707X, MA4X-715X DuraDrive Series Spring Return Two-Position Actuators General Instructions	<ul style="list-style-type: none"> - Sales Personnel - Application Engineers - Installers - Service Personnel - Start-up Technicians 	Describes the actuator's features, specifications, and possible applications. Provides step-by-step mounting instructions.
F-26644	MF4X-7XX3, MF4X-7XX3-50X DuraDrive Series Spring Return Floating Actuator General Instructions		
F-26645	MS4X-7XX3, MS4X-7XX3-50X DuraDrive Series Spring Return Proportional Actuator General Instructions		
F-27213	MF41-6043, MF41-6083 DuraDrive Series Non-Spring Return Rotary 24 Vac Three-Position Control General Instructions		
F-27108	MF4E-6043X, MF4E-6083X EconoDrive Series Non-Spring Return Floating Actuator General Instructions		
F-27170	MA4D-XXXX, MF4D-XXXX, MS4D-XXXX EconoDrive Series Rotary Overshaft Actuators General Instructions		
F-27214	MS41-6043, MS41-6083 DuraDrive Series Non-Spring Return Rotary 24 Vac Modulating Control 0 to 10 Vdc Electronic Damper Actuators General Instructions		
F-27003	MX40-704X DuraDrive Series 35 lb-in. Spring Return Actuators Mounting and Wiring Instructions	<ul style="list-style-type: none"> - Application Engineers - Installers - Service Personnel - Start-up Technicians 	Describes the actuator's specifications and possible applications. Provides step-by-step mounting instructions.
F-26646	MX41-6043, MX4X-7XXX, MX41-6XXX DuraDrive Series Actuator Selection Guide	<ul style="list-style-type: none"> - Sales Personnel - Application Engineers - Installers - Service Personnel - Start-up Technicians 	Provides actuator specifications and part number cross referencing of phased out actuators with the new Invensys Building Systems direct-coupled actuators.
F-26737	MX41-6043 DuraDrive Series Non-Spring Return 35 lb-in. Actuators Specification Data Sheet	<ul style="list-style-type: none"> - Sales Personnel - Application Engineers 	Describes features and specifications of the MX41-6043 series actuators.
F-27087	VX-2X13-5XX-9-XX Series DuraLynx Ball Valve Assemblies and VB-2X13-500-9-XX DuraLynx Ball Valve Body/Linkage Assemblies Installation Instructions	<ul style="list-style-type: none"> - Sales Personnel - Application Engineers - Installers - Service Personnel - Start-up Technicians 	Describes the DuraLynx ball valve assembly's features, specifications, and possible applications. Provides step-by-step mounting instructions.
F-26080	EN-205 Water System Guidelines	<ul style="list-style-type: none"> - Application Engineers - Installers - Service Personnel - Start-up Technicians 	Describes Invensys Building Systems approved water treatment practices.

Selection Guide Contents

Features and Benefits	page 3
Ball Valve Assembly Selection Procedure	page 3
Part Numbering System (DuraLynx Ball Valve Assemblies Using DuraDrive Actuators)	page 4
Part Numbering System (Ball Valve Assemblies Using EconoDrive Actuators)	page 5
Port Codes for Invensys Ball Valve Assemblies	page 6
Ball Valve Specifications	page 7
Valve/Actuator Combinations	page 8
Actuator Specifications and Valve Assembly Mounting Dimensions.	page 12
Installation Considerations	page 27
Water System Maintenance	page 28
Sizing and Selection	page 28

Features and Benefits

Features	Benefits
Close-offs of 40 to 130 psi.	Accommodates most close-off requirements.
Available in full range of line sizes, 1/2 in. to 3 in. for 2-way valves and 1/2 in. to 2 in. for 3-way valves.	Satisfies a wide range of applications.
Cv's from 0.38 to 266.	Permits optimal valve sizing, minimizing the need for pipe reducers.
Flow characterizing insert, made of glass-filled Noryl™.	Provides equal percentage flow characteristic so that the heat output of the coil is linear with respect to valve position.
Available in both spring return and non-spring return models.	Allows power loss mode requirement to be met for any given application.
Utilizes DuraDrive or EconoDrive actuators with two-position, floating, and proportional control.	Models to fit a wide range of applications.
All models equipped with pigtail leads.	Eases installation. Reduced electrician costs.
DC motors used in all floating and proportional spring return models.	Longer actuator life.
Low-friction seals and o-rings.	Allows the use of lower-torque actuators, reducing cost.
Valve body made of forged brass ASTM B283.	Rated for static pressure of 360 psi at fluid temperatures of 20 to 250 °F (-7 to 121 °C).
"Blowout" resistant stem.	Reduces the chance of potentially harmful blowouts.
Universal mounting plate.	Actuator and mounting plate can be rotated after installation, to accommodate wiring needs and confined spaces.
ANSI Class IV (0.01% of Cv) shutoff with 2-way valves.	Allows accurate control, saves energy.
Choices of spring return direction.	Provides Normally Closed or Normally Open spring return.
Thermally isolated mounting plate.	Protects the actuator from excess cold or heat from chilled or hot water passing through the valve. Discourages condensation.
Ball Valve Body/Linkage Assemblies are available separately. They include anti-rotation clips for both DuraDrive and EconoDrive actuators.	Increases flexibility and minimizes inventory.

Ball Valve Assembly Selection Procedure

When selecting a ball valve assembly, you must determine the applicable codes for the control signal type, valve body configuration, end connection, port size, and actuator. Select a ball valve assembly part number as follows:

1. Control Signal Type, Valve Body Configuration, and End Connection

Referring to "Part Numbering System" on page 4 (DuraDrive) or page 5 (EconoDrive), select the appropriate codes for these part number fields.

2. Valve Size (Flow Coefficient)

If the required flow coefficient (Cv) has not yet been determined, do so as follows:

- Refer to the "Sizing and Selection" section on pages 28 to 32, to calculate the required Cv.
- Select the nearest available Cv and corresponding valve body port code from Table-1 (2-way) or Table-2 (3-way) on page 6.

Note: If this results in a valve that is smaller than pipe size, the actual effective Cv of the installed valve will vary from the nominal Cv as shown in Table-9 on page 31 (2-way valves) and Table-10 on page 32 (3-way valves).

3. Actuator

Select the appropriate actuator and code, according to "Part Numbering System" on page 4 (DuraDrive) or page 5 (EconoDrive), based on the control signal type, required valve normal position, and voltage requirements. For detailed actuator information, refer to the applicable actuator specifications on page 12, 15, 18, 21, or 24.

Note: The DuraLynx Ball Valve Assemblies use the basic DuraDrive actuators. However, if an actuator with auxiliary switch(es) is required, you may field-assemble a ball valve assembly using a ball valve body/linkage assembly (VB-2X13-500-9-XX). For information on switch-equipped actuators, refer to page 12 or page 21.

4. Close-off Pressure

Confirm in Table-4, Table-5, Table-6, or Table-7 that the selected actuator and valve body combination provides sufficient close-off pressure. If no close-off pressure is shown, the valve body/actuator combination is not valid.

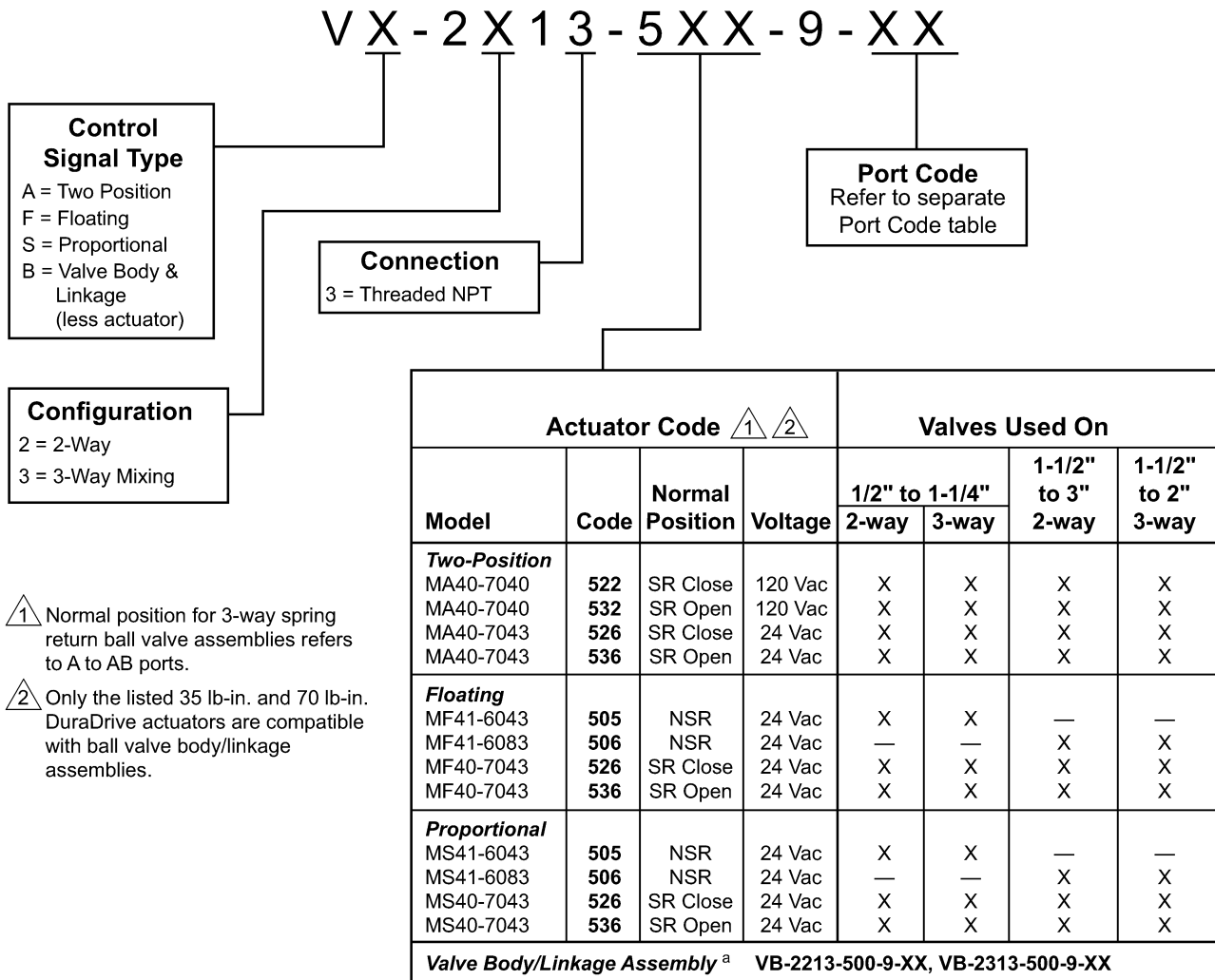
5. Available Space

If available space is a consideration, check the appropriate dimensional figure (Figure-1 through Figure-10) and its accompanying table for any potential fit problems.

Part Numbering System

DuraLynx Ball Valve Assemblies Using DuraDrive Actuators

DuraLynx Ball Valve Assemblies Using DuraDrive Actuators



¹ Normal position for 3-way spring return ball valve assemblies refers to A to AB ports.

² Only the listed 35 lb-in. and 70 lb-in. DuraDrive actuators are compatible with ball valve body/linkage assemblies.

SR = Spring Return
NSR = Non-Spring Return

^a Includes valve body, linkage, and anti-rotation clips for spring return and non-spring return DuraDrive actuators, listed above.

Part Numbering System

Ball Valve Assemblies Using EconoDrive Actuators

V X - 2 X 1 3 - X X X - 9 - X X

Port Code
Refer to separate
Port Code table

Control Signal Type
A = Two Position
F = Floating
S = Proportional
B = Valve Body & Linkage (less actuator)

Configuration
2 = 2-Way
3 = 3-Way Mixing

Connection
3 = Threaded NPT

- 1 Normal position for 3-way spring return ball valve assemblies refers to A to AB ports.
- 2 Only the listed 30 lb-in. and 70 lb-in. EconoDrive actuators are compatible with ball valve body/linkage assemblies.

Actuator Code ¹ ²				Valves Used On				
Model ^a	Code	Normal Position	Voltage	Type	1/2" to 1"		1-1/4" to 3"	1-1/4" to 2"
					2-way	3-way	2-way	3-way
Two-Position								
MA4D-7030-000	815	SR Open	120 Vac	—	X	X	—	—
MA4D-7031-000	816	SR Open	230 Vac	—	X	X	—	—
MA4D-8030-000	817	SR Closed	120 Vac	—	X	X	—	—
MA4D-8031-000	818	SR Closed	230 Vac	—	X	X	—	—
MA4D-7033-000	N/A ^b	SR Open	24 Vac	—	—	—	—	—
MA4D-7033-100	821	SR Open	24 Vac	—	X	X	—	—
MA4D-8033-000	N/A ^b	SR Closed	24 Vac	—	—	—	—	—
MA4D-8033-100	831	SR Closed	24 Vac	—	X	X	—	—
Floating								
MF4D-7033-000	N/A ^b	SR Open	24 Vac	—	—	—	—	—
MF4D-7033-100	821	SR Open	24 Vac	—	X	X	—	—
MF4D-8033-000	N/A ^b	SR Closed	24 Vac	—	—	—	—	—
MF4D-8033-100	831	SR Closed	24 Vac	—	X	X	—	—
MF4D-6083-000	N/A ^b	NSR	24 Vac	—	—	—	—	—
MF4D-6083-100	841	NSR	24 Vac	—	X	X	X	X
MF4E-60831	647	NSR	24 Vac	—	X	X	X	X
Proportional								
MS4D-7033-000	N/A ^b	SR Open	24 Vac	2-10 Vdc	—	—	—	—
MS4D-7033-100	821	SR Open	24 Vac	2-10 Vdc	X	X	—	—
MS4D-7033-020	N/A ^b	SR Open	24 Vac	0-3 Vdc	—	—	—	—
MS4D-7033-120	823	SR Open	24 Vac	0-3 Vdc	X	X	—	—
MS4D-7033-030	N/A ^b	SR Open	24 Vac	6-9 Vdc	—	—	—	—
MS4D-7033-130	825	SR Open	24 Vac	6-9 Vdc	X	X	—	—
MS4D-7033-050	N/A ^b	SR Open	24 Vac	0-10 Vdc	—	—	—	—
MS4D-7033-150	827	SR Open	24 Vac	0-10 Vdc	X	X	—	—
MS4D-7033-060	N/A ^b	SR Open	24 Vac	4-20 mA	—	—	—	—
MS4D-7033-160	829	SR Open	24 Vac	4-20 mA	X	X	—	—
MS4D-8033-000	N/A ^b	SR Closed	24 Vac	2-10 Vdc	—	—	—	—
MS4D-8033-100	831	SR Closed	24 Vac	2-10 Vdc	X	X	—	—
MS4D-8033-020	N/A ^b	SR Closed	24 Vac	0-3 Vdc	—	—	—	—
MS4D-8033-120	833	SR Closed	24 Vac	0-3 Vdc	X	X	—	—
MS4D-8033-030	N/A ^b	SR Closed	24 Vac	6-9 Vdc	—	—	—	—
MS4D-8033-130	835	SR Closed	24 Vac	6-9 Vdc	X	X	—	—
MS4D-8033-050	N/A ^b	SR Closed	24 Vac	0-10 Vdc	—	—	—	—
MS4D-8033-150	837	SR Closed	24 Vac	0-10 Vdc	X	X	—	—
MS4D-8033-060	N/A ^b	SR Closed	24 Vac	4-20 mA	—	—	—	—
MS4D-8033-160	839	SR Closed	24 Vac	4-20 mA	X	X	—	—
MS4D-6083-000	N/A ^b	NSR	24 Vac	2-10 Vdc	—	—	—	—
MS4D-6083-100	841	NSR	24 Vac	2-10 Vdc	X	X	X	X
MS4D-6083-020	N/A ^b	NSR	24 Vac	0-3 Vdc	—	—	—	—
MS4D-6083-120	843	NSR	24 Vac	0-3 Vdc	X	X	X	X
MS4D-6083-030	N/A ^b	NSR	24 Vac	6-9 Vdc	—	—	—	—
MS4D-6083-130	845	NSR	24 Vac	6-9 Vdc	X	X	X	X
MS4D-6083-050	N/A ^b	NSR	24 Vac	0-10 Vdc	—	—	—	—
MS4D-6083-150	847	NSR	24 Vac	0-10 Vdc	X	X	X	X
MS4D-6083-060	N/A ^b	NSR	24 Vac	4-20 mA	—	—	—	—
MS4D-6083-160	849	NSR	24 Vac	4-20 mA	X	X	X	X
Valve Body/Linkage Assembly ^c VB-2213-500-9-XX, VB-2313-500-9-XX								

SR = Spring Return NSR = Non-Spring Return

^a "-0X0" models have appliance cables. "-1X0" models have plenum cables.

^b Factory assemblies not available. Purchase actuator and valve body separately and field assemble.

^c Includes valve body, linkage, and anti-rotation clips for spring return and non-spring return EconoDrive actuators, listed above.

Port Codes for Invensys Ball Valve Assemblies

Table-1 2-Way Invensys Ball Valve Assemblies—Sizes, Port Codes, and Cv's.

Size	2-Way		
	Port Code	C _v ^a	k _{vs} ^a
1/2"	01	0.38	0.33
	02	0.68	0.59
	03	1.3	1.1
	04	2.6	2.2
	05	4.7	4.1
	06	8.0	6.9
	07	11.7 ^b	10.1
3/4"	11	0.31	0.27
	12	0.63	0.54
	13	1.2	1.0
	14	2.5	2.2
	15	4.3	3.7
	16	10.1	8.7
	17	14.7 ^b	12.7
18	28.6 ^b	24.7	
1"	21	4.4	3.8
	22	9.0	7.8
	23	15.3	13.2
	24	26.1	22.6
	25	28.4 ^b	24.6
	26	43.9 ^b	38.0
	27	54.2 ^b	46.9
1-1/4"	41	4.4	3.8
	42	8.3	7.2
	43	14.9	12.9
	44	36.5	31.6
	45	41.1 ^b	35.6
	46	102.3 ^b	88.5
1-1/2"	51	22.8	19.7
	52	41.3	35.7
	53	73.9 ^b	63.9
	54	171.7 ^b	148.5
2"	61	41.7	36.1
	63	71.1	61.5
	65	108 ^b	93.4
	66	210	181.7
	67	266 ^b	230.1
2-1/2"	71	45	38.9
	72	55	47.6
	73	72.3	62.5
	74	101	87.4
	75	162	140.1
	76	202 ^b	174.7
3"	81	49	42.4
	82	63	54.5
	83	82	70.9
	84	124	107.2
	85	145 ^b	125.4

Table-2 3-Way Invensys Ball Valve Assemblies—Sizes, Port Codes, and Cv's

Size	3-Way		
	Port Code	A Port C _v ^{a b}	k _{vs} ^a
1/2"	01	0.33	0.28
	02	0.59	0.51
	03	1	0.86
	04	2.4	2.1
	05	4.3	3.7
	06	8.0 ^c	6.9
3/4"	11	0.40	0.35
	12	0.66	0.57
	13	1.3	1.1
	14	2.4	2.1
	15	3.8	3.3
	16	12.6 ^c	10.9
1"	21	0.40	0.35
	22	0.65	0.56
	23	1.3	1.1
	24	2.3	2.0
	25	3.5	3.0
	26	4.5	3.9
	27	8.6	7.4
	28	10 ^c	8.6
	29	14.9	12.9
	30	22.3 ^c	19.3
	31	30.8 ^c	26.6
1-1/4"	41	4.1	3.5
	42	7.7	6.7
	43	8.7	7.5
	44	12.7	11.0
	45	19.4 ^c	16.8
	46	34.1 ^c	29.5
	1-1/2"	51	4
52		8.3	7.2
53		13.4	11.6
54		23.5	20.3
55		32 ^c	27.7
56		61.1 ^c	52.8
2"	61	23.9	20.7
	62	38.2	33.0
	63	56.7 ^c	49.0
	64	108.5 ^c	93.8

^a $C_v = \frac{gpm}{\sqrt{\Delta P}}$ (where ΔP is measured in psi) $k_{vs} = C_v / 1.156$

$k_{vs} = \frac{m^3/h}{\sqrt{\Delta P}}$ (where ΔP is measured in bar; 1 bar = 100 kPa)

^b B port Cv is 80% of A port Cv.

^c Denotes a full port valve, without the characterized insert.

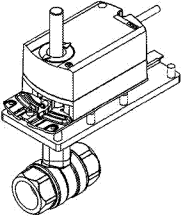
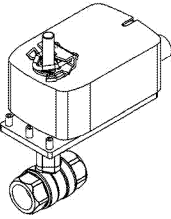
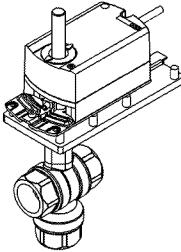
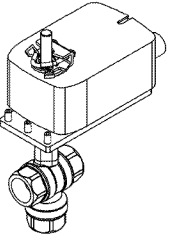
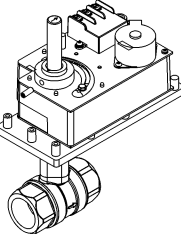
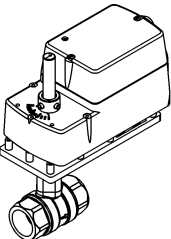
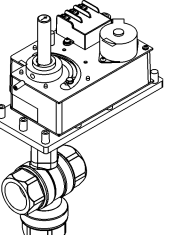
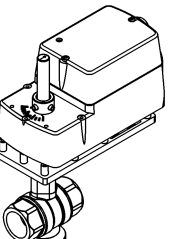
^a $C_v = \frac{gpm}{\sqrt{\Delta P}}$ (where ΔP is measured in psi) $k_{vs} = C_v / 1.156$

$k_{vs} = \frac{m^3/h}{\sqrt{\Delta P}}$ (where ΔP is measured in bar; 1 bar = 100 kPa)

^b Denotes a full port valve, without the characterized insert.

Ball Valve Specifications

Table-3 Specifications for Invensys Ball Valve Assemblies.

Valve Assembly Series		2-Way	3-Way Mixing
DuraLynx Ball Valve Assemblies using DuraDrive Actuators		 Non-Spring Return DuraDrive VX-2213-505-9-P VX-2213-506-9-P	 Spring Return DuraDrive VX-2213-5XX-9-P
		 Non-Spring Return DuraDrive VX-2313-505-9-P VX-2313-506-9-P	 Spring Return DuraDrive VX-2313-5XX-9-P
Ball Valve Assemblies using EconoDrive Actuators		 Non-Spring Return EconoDrive VF-2213-647-9-P	 Spring Return EconoDrive VX-2213-81X-9-P VX-2213-82X-9-P VX-2213-83X-9-P Non-Spring Return VX-2213-84X-9-P
		 Non-Spring Return EconoDrive VF-2313-647-9-P	 Spring Return EconoDrive VX-2313-81X-9-P VX-2313-82X-9-P VX-2313-83X-9-P Non-Spring Return VX-2313-84X-9-P
Applications		Chilled or Hot Water, up to 50% Glycol Solution	
Type of End Fitting		NPT Screwed	
Size		1/2 in. through 3 in.	1/2 in. through 2 in.
Valve Assembly Series		VX-2213-XXX-9-P	VX-2313-XXX-9-P
Flow Type		Equal Percentage	
Material	Body	Forged Brass (ASTM B283)	
	Ball	Nickel/Chromium-Plated Brass	
	Characterizing Insert	Glass-filled Noryl	
	Stem	Brass	
	Ball Seals	Reinforced Teflon® Seals with EPDM O-Rings	
	Stem Seals	EPDM O-Rings	
	Mounting Plate	Glass-filled Polymer	
Maximum Static Pressure		360 psig (25 bar)	
Maximum Operating Differential Pressure		Same as close-off pressures shown in Table-4 or Table-6. Refer to "Cavitation Limitations on Valve Pressure Drop" on page 30.	Same as close-off pressures shown in Table-5 or Table-7. Refer to "Cavitation Limitations on Valve Pressure Drop" on page 30.
Seat Leakage		ANSI Class IV (0.01% of C _v)	ANSI Class IV (0.01% of C _v), piped coil-side outlet to A only
Fluid (water) Temperature	Minimum^a	20 °F (-7 °C)	
	Maximum	250 °F (121 °C)	

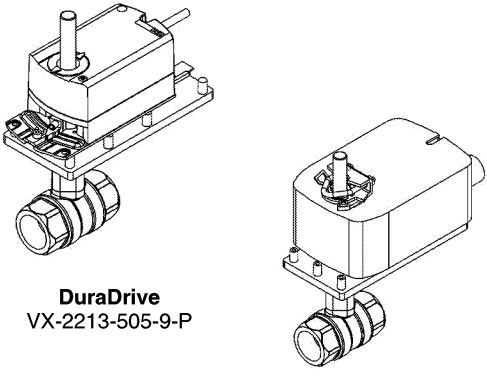
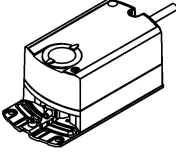
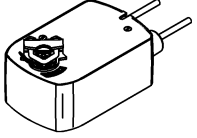
^a Freeze protection required.

Valve/Actuator Combinations

2-Way DuraLynx Ball Valve Assemblies Using DuraDrive Actuators

Note: All valve sizes — ANSI Class IV (0.01% of C_v) shut-off

Table-4 Selection Chart—2-Way DuraLynx Ball Valve Assemblies with DuraDrive Actuators.

2-Way Ball Valve Assemblies with DuraDrive			Non-Spring Return ^a		Spring Return		
 <p>DuraDrive VX-2213-505-9-P</p> <p>DuraDrive VX-2213-5XX-9-P</p>							
						Actuator Torque Rating	
			35 lb-in (4 N-m)		70 lb-in. (8 N-m)		35 lb-in (4 N-m)
			Actuator Models (Actuator Codes)				
			24 Vac		24 Vac		24 Vac
Floating MF41-6043 (505) Proportional MS41-6043 (505)		Floating MF41-6083 (506) Proportional MS41-6083 (506)		Two-Position MA40-7043 (N.C.) (526) MA40-7043 (N.O.) (536) Floating MF40-7043 (N.C.) (526) MF40-7043 (N.O.) (536) Proportional MS40-7043 (N.C.) (526) MS40-7043 (N.O.) (536)			
			120 Vac				
			Two-Position MA40-7040 (N.C.) (522) MA40-7040 (N.O.) (532)				
Valve Assembly Part Number	Valve Size (in.)	P Code ^b	Close-Off Pressure, psi (kPa)				
DuraLynx Ball Valve Assembly with DuraDrive VX-2213-5XX-9-P^c Valve/Linkage Assembly VB-2213-500-9-P	1/2	1, 2, 3, 4, 5, 6, 7	130 (890)	—	130 (890)		
	3/4	11, 12, 13, 14, 15, 16, 17, 18	130 (890)	—	130 (890)		
	1	21, 22, 23, 24, 25, 26, 27	100 (685)	—	100 (685)		
	1-1/4	41, 42, 43, 44, 45, 46	100 (685)	—	100 (685)		
	1-1/2	51, 52, 53, 54	—	100 (685)	100 (685)		
	2	61, 63, 65, 66, 67	—	100 (685)	100 (685)		
	2-1/2	71, 72, 73, 74, 75, 76	—	100 (685)	100 (685)		
	3	81, 82, 83, 84, 85	—	100 (685)	100 (685)		

^a Non-spring return 2-way ball valve assemblies are shipped open, voltage rise to close.

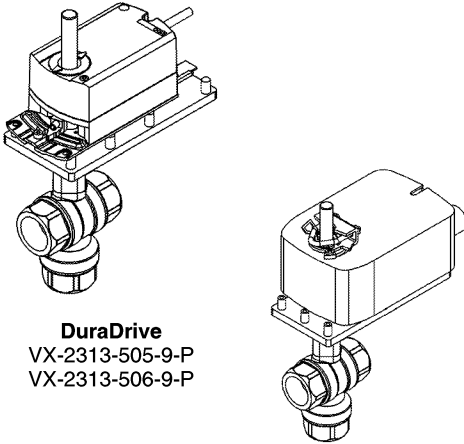
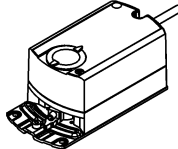
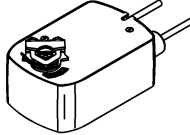
^b To find the corresponding flow coefficients for these port codes, refer to "Port Codes for Invensys Ball Valve Assemblies" on page 6.

^c To determine a specific part number, identify the actuator's control signal type ("A," "F," or "S"), actuator code, and P code. Refer to "Part Numbering System" on page 4.

3-Way DuraLynx Ball Valve Assemblies Using DuraDrive Actuators

Note: All valve sizes — ANSI Class IV (0.01% of C_v) shut off, piped coil-side outlet to A.

Table-5 Selection Chart—3-Way Mixing DuraLynx Ball Valve Assemblies with DuraDrive Actuators.

3-Way Mixing Ball Valve Assemblies with DuraDrive ^{a b}			Non-Spring Return		Spring Return			
 <p>DuraDrive VX-2313-505-9-P VX-2313-506-9-P</p> <p>DuraDrive VX-2313-5XX-9-P</p>								
						Actuator Torque Rating		
			35 lb-in (4 N-m)		70 lb-in. (8 N-m)	35 lb-in (4 N-m)		
			Actuator Models (Actuator Codes)			24 Vac		24 Vac
			Floating MF41-6043 (505) Proportional MS41-6043 (505)		Floating MF41-6083 (506) Proportional MS41-6083 (506)	Two-Position MA40-7043 (N.C.) (526) MA40-7043 (N.O.) (536) Floating MF40-7043 (N.C.) (526) MF40-7043 (N.O.) (536) Proportional MS40-7043 (N.C.) (526) MS40-7043 (N.O.) (536)		
			120 Vac		Two-Position MA40-7040 (N.C.) (522) MA40-7040 (N.O.) (532)			
Valve Assembly Part Number	Valve Size (in.)	P Code ^c	Close-Off Pressure, psi (kPa)					
DuraLynx Ball Valve Assembly with DuraDrive VX-2313-5XX-9-P^d Valve/Linkage Assembly VB-2313-500-9-P	1/2	1, 2, 3, 4, 5, 6	50 (342)	—	50 (342)			
	3/4	11, 12, 13, 14, 15, 16	50 (342)	—	50 (342)			
	1	21, 22, 23, 24, 25, 26, 27, 28, 29, 30, 31	50 (342)	—	50 (342)			
	1-1/4	41, 42, 43, 44, 45, 46	40 (274)	—	40 (274)			
	1-1/2	51, 52, 53, 54, 55, 56	—	40 (274)	40 (274)			
	2	61, 62, 63, 64	—	40 (274)	40 (274)			

^a Non-spring return 3-way mixing ball valve assemblies are shipped A to AB open, voltage rise to close.

^b Spring return 3-way mixing valves are normally A to AB closed.

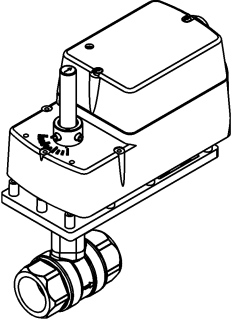
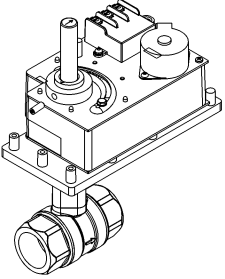
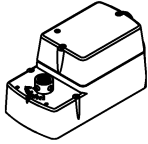
^c To find the corresponding flow coefficients for these port codes, refer to "Port Codes for Invensys Ball Valve Assemblies" on page 6.

^d To determine a specific part number, identify the actuator's control signal type ("A," "F," or "S"), actuator code, and P code. Refer to "Part Numbering System" on page 4.

2-Way Ball Valve Assemblies Using EconoDrive Actuators

Note: All valve sizes — ANSI Class IV (0.01% of C_v) shut-off

Table-6 Selection Chart—2-Way Ball Valve Assemblies with EconoDrive Actuators.

2-Way Ball Valve Assemblies with EconoDrive			Non-Spring Return ^a		Spring Return
 <p>Econodrive Spring Return VX-2213-81X-9-P VX-2213-82X-9-P VX-2213-83X-9-P Non-Spring Return VX-2213-84X-9-P</p>			 <p>Econodrive Non-Spring Return VF-2213-647-9-P</p>		
			Actuator Torque Rating		
			70 lb-in. (8 N-m)	70 lb-in. (8 N-m)	30 lb-in (3.4 N-m)
			Actuator Models (Actuator Codes)		
			24 Vac	24 Vac	24 Vac
			Floating MF4D-6083 (840) (841) Proportional MS4D-6083 (840)–(849)	Floating MF4E-60831 (647)	Two-Position MA4D-7033 (N.O.) (820) (821) MA4D-8033 (N.C.) (830) (831) Floating MF4D-7033 (N.O.) (820) (821) MF4D-8033 (N.C.) (830) (831) Proportional MS4D-7033 (N.O.) (820)–(829) MS4D-8033 (N.C.) (830)–(839)
			120 Vac		
			Two-Position MA4D-7030 (N.O.) (815) MA4D-8030 (N.C.) (817)		
			230 Vac		
			Two-Position MA4D-7031 (N.O.) (816) MA4D-8031 (N.C.) (818)		
Valve Assembly Part Number	Valve Size (in.)	P Code ^b	Close-Off Pressure, psi (kPa)		
Ball Valve Assembly with EconoDrive VX-2213-8XX-9-P^c Valve/Linkage Assembly VB-2213-500-9-P	1/2	1, 2, 3, 4, 5, 6, 7	130 (890)	130 (890)	130 (890)
	3/4	11, 12, 13, 14, 15, 16, 17, 18	130 (890)	130 (890)	130 (890)
	1	21, 22, 23, 24, 25, 26, 27	100 (685)	100 (685)	100 (685)
	1-1/4	41, 42, 43, 44, 45, 46	100 (685)	100 (685)	—
	1-1/2	51, 52, 53, 54	100 (685)	100 (685)	—
	2	61, 63, 65, 66, 67	100 (685)	100 (685)	—
	2-1/2	71, 72, 73, 74, 75, 76	100 (685)	100 (685)	—
	3	81, 82, 83, 84, 85	100 (685)	100 (685)	—

^a Non-spring return 2-way ball valve assemblies are shipped open, voltage rise to close.

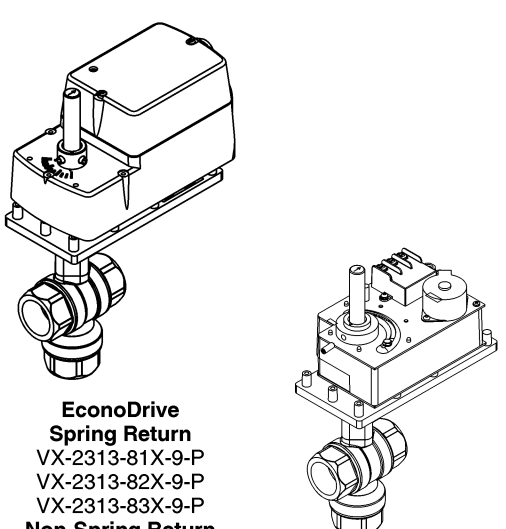
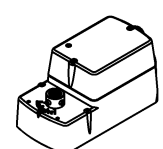
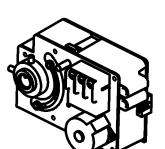
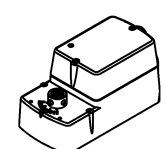
^b To find the corresponding flow coefficients for these port codes, refer to "Port Codes for Invensys Ball Valve Assemblies" on page 6.

^c To determine a specific part number, identify the actuator's control signal type ("A," "F," or "S"), actuator code, and P code. Refer to "Part Numbering System" on page 5.

3-Way Mixing Ball Valve Assemblies Using EconoDrive Actuators

Note: All valve sizes — ANSI Class IV (0.01% of C_v) shut off, piped coil-side outlet to A.

Table-7 Selection Chart—3-Way Mixing Ball Valve Assemblies with EconoDrive Actuators.

3-Way Mixing Ball Valve Assemblies with EconoDrive ^{a b}			Non-Spring Return		Spring Return	
 <p>EconoDrive Spring Return VX-2313-81X-9-P VX-2313-82X-9-P VX-2313-83X-9-P Non-Spring Return VX-2313-84X-9-P</p> <p>EconoDrive VF-2313-647-9-P</p>						
			Actuator Torque Rating			
			70 lb-in. (8 N-m)	70 lb-in. (8 N-m)	35 lb-in (4 N-m)	
			Actuator Models (Actuator Codes)			
			24 Vac	24 Vac	24 Vac	120 Vac
			Floating MF4D-6083 (840) (841) Proportional MS4D-6083 (840)–(849)	Floating MF4E-60831 (647)	Two-Position MA4D-7033 (N.O.) (820) (821) MA4D-8033 (N.C.) (830) (831) Floating MF4D-7033 (N.O.) (820) (821) MF4D-8033 (N.C.) (830) (831) Proportional MS4D-7033 (N.O.) (820)–(829) MS4D-8033 (N.C.) (830)–(839)	Two-Position MA4D-7030 (N.O.) (815) MA4D-8030 (N.C.) (817)
					230 Vac	Two-Position MA4D-7031 (N.O.) (816) MA4D-8031 (N.C.) (818)
Valve Assembly Part Number	Valve Size (in.)	P Code ^c	Close-Off Pressure, psi (kPa)			
Ball Valve Assembly with EconoDrive VX-2313-8XX-9-P^d	1/2	1, 2, 3, 4, 5, 6	50 (342)	50 (342)	50 (342)	
	3/4	11, 12, 13, 14, 15, 16	50 (342)	50 (342)	50 (342)	
	1	21, 22, 23, 24, 25, 26, 27, 28, 29, 30, 31	50 (342)	50 (342)	50 (342)	
	Valve/Linkage Assembly VB-2313-500-9-P	1-1/4	41, 42, 43, 44, 45, 46	40 (274)	40 (274)	—
		1-1/2	51, 52, 53, 54, 55, 56	40 (274)	40 (274)	—
		2	61, 62, 63, 64	40 (274)	40 (274)	—

^a Non-spring return 3-way mixing ball valve assemblies are shipped A to AB open, voltage rise to close.

^b Spring return 3-way mixing valves are normally A to AB closed.

^c To find the corresponding flow coefficients for these port codes, refer to "Port Codes for Invensys Ball Valve Assemblies" on page 6.

^d To determine a specific part number, identify the actuator's control signal type ("A," "F," or "S"), actuator code, and P code. Refer to "Part Numbering System" on page 5.

Actuator Specifications and Valve Assembly Mounting Dimensions

DuraLynx Valve Assemblies with MF41-6043, MF41-6083, MS41-6043, and MS41-6083 Non-Spring Return DuraDrive Actuators

Actuator Specifications																			
Inputs																			
Control Signal	<p>MF41-6043 and MF41-6083: Floating three-position control, 24 Vac.</p> <p>MS41-6043 and MS41-6083: Proportional, 0 to 10 Vdc; input resistance 100KΩ.</p> <p>Control signal adjustment available with MS41-6043-520 and MS41-6043-522: Start point (offset) — Between 0 and 5 Vdc (factory setting = 0 Vdc) Span — 2 to 30 Vdc</p>																		
Power Requirements	All 24 Vac circuits are Class 2.																		
	<table border="1"> <thead> <tr> <th rowspan="2">Part Number</th> <th colspan="3">Power Input @ 50/60 Hz</th> <th rowspan="2">Watts</th> </tr> <tr> <th>Voltage^a</th> <th>Running VA</th> <th>Holding VA</th> </tr> </thead> <tbody> <tr> <td>MF41-6043 and MF41-6083</td> <td>24 Vac +20/-15%</td> <td>2.3</td> <td>—</td> <td>2.0</td> </tr> <tr> <td>MS41-6043 and MS41-6083</td> <td>24 Vac +20/-15%</td> <td>3.3</td> <td>1.2</td> <td>3.0</td> </tr> </tbody> </table> <p>^a 24 Vac +20/-10% for ambient temperatures 90 to 130 °F (MX41-6083 only).</p>	Part Number	Power Input @ 50/60 Hz			Watts	Voltage ^a	Running VA	Holding VA	MF41-6043 and MF41-6083	24 Vac +20/-15%	2.3	—	2.0	MS41-6043 and MS41-6083	24 Vac +20/-15%	3.3	1.2	3.0
Part Number	Power Input @ 50/60 Hz			Watts															
	Voltage ^a	Running VA	Holding VA																
MF41-6043 and MF41-6083	24 Vac +20/-15%	2.3	—	2.0															
MS41-6043 and MS41-6083	24 Vac +20/-15%	3.3	1.2	3.0															
Connections	3 ft. (0.9 m) long, 18 AWG plenum-rated leads.																		
Motor Type	Synchronous																		
Outputs																			
Electrical	<p>Feedback potentiometer available for MF41-6043/6083-510: 0 to 1000 Ω < 10 mA</p> <p>Position feedback voltage for MS41-6043/6083: 0 to 10 Vdc, 1 mA</p> <p>Auxiliary Switches: Dual auxiliary switches available with MF41-6043/6083-502, MS41-6043/6083-502, MF41-6043/6083-522 and MS41-6043/6083-522 when these actuators are ordered as separate units. Auxiliary switches are not offered with factory ball valve assemblies.</p> <p>AC Rating: 24 Vac, 4 A resistive, 2 A inductive Switch hysteresis: 3° rotation</p> <p>DC Rating: 12 to 30 Vdc, DC 2 A</p> <p>Timing:</p> <table border="1"> <thead> <tr> <th rowspan="2">Part Number</th> <th colspan="2">90° Timing in Sec.</th> </tr> <tr> <th>At 60 Hz</th> <th>At 50 Hz</th> </tr> </thead> <tbody> <tr> <td>MF41-6043</td> <td>90</td> <td>108</td> </tr> <tr> <td>MS41-6043</td> <td>90</td> <td>108</td> </tr> <tr> <td>MF41-6083</td> <td>125</td> <td>150</td> </tr> <tr> <td>MS41-6083</td> <td>125</td> <td>150</td> </tr> </tbody> </table> <p>Switch Range: Switch A — 0 to 90° range in 5° intervals Recommended range usage — 0 to 45° Factory setting — 5° Switch B — 0 to 90° range in 5° intervals Recommended range usage — 45 to 90° Factory setting — 85°</p>	Part Number	90° Timing in Sec.		At 60 Hz	At 50 Hz	MF41-6043	90	108	MS41-6043	90	108	MF41-6083	125	150	MS41-6083	125	150	
Part Number	90° Timing in Sec.																		
	At 60 Hz	At 50 Hz																	
MF41-6043	90	108																	
MS41-6043	90	108																	
MF41-6083	125	150																	
MS41-6083	125	150																	
Mechanical	<p>Output torque rating: 35 lb-in. (4 N-m) for MX41-6043; 70 lb-in. (8 N-m) for MX41-6083</p> <p>Stroke: Normal angle of rotation is 90°, limited to a maximum of 95°. Field adjustable to limit travel on either end of stroke.</p> <p>Position indicator: Adjustable pointer is provided for position indication.</p> <p>Output shaft setscrew: Tightening torque 55 to 60 lb-in. (6.3 to 6.8 N-m).</p>																		
Environment																			
Temperature Limits	<p>Shipping and storage: -40 to 158 °F (-40 to 70 °C) ambient.</p> <p>Operating: -25 to 130 °F (-32 to 55 °C) ambient.</p>																		
Humidity	5 to 95% RH, non-condensing.																		
Locations	NEMA Type 2 (IEC IP54).																		
Agency Listings (Actuator)																			
UL	UL-873, Underwriters Laboratories.																		
cUL	Canadian Standards C22.2 No. 24-93.																		
European Community	EMC Directive (89/336/EEC). Emissions (EN50081-1). Immunity (EN50081-2).																		

2-Way Ball Valve Assembly Dimensions

Valve Assembly Part Number	Valve Size in.	P Code ^a	Valve Dimensions in inches (millimetres) (Refer to Figure-1)			
			A	B	C	D
2-Way VF-2213-505-9-P VF-2213-506-9-P VS-2213-505-9-P VS-2213-506-9-P	1/2	1, 2, 3, 4, 5, 7	2-3/8 (60)	6-5/8 (168)	7-1/2 (190)	3-7/16 (87)
		6	3-11/32 (85)	6-7/8 (175)	8-5/16 (211)	3-11/16 (94)
	3/4	11, 12, 13, 14, 15, 17	2-3/8 (60)	6-5/8 (168)	7-3/4 (197)	3-7/16 (87)
		16, 18	2-5/8 (67)	6-5/8 (168)	7-3/4 (197)	3-11/16 (94)
	1	21, 23	3-1/16 (78)	6-3/4 (171)	8 (203)	4 (100)
		22, 25	3-3/4 (95)	7-1/16 (179)	7-7/8 (200)	3-11/16 (94)
		24, 26	4-5/16 (110)	7-7/16 (189)	8-5/8 (219)	4-1/2 (113)
		27	3-1/16 (78)	7-9/16 (192)	8 (203)	4 (100)
	1-1/4	41, 42, 43, 45	3 (76)	6-3/4 (171)	8-1/4 (210)	4 (100)
		44, 46	3-5/8 (92)	6-13/16 (173)	8-5/8 (219)	4-1/2 (113)
	1-1/2	51, 53	4-11/16 (119)	7-9/16 (192)	9-3/32 (231)	3-15/16 (100)
		52, 54	4-1/16 (103)	7-1/16 (179)	9-1/4 (235)	5-3/16 (132)
	2	61, 65	4-21/32 (118)	7-1/2 (191)	8-7/8 (225)	5-3/16 (132)
		63, 66, 67	4-15/16 (125)	7-7/16 (189)	9-7/8 (251)	5-3/4 (146)
	2-1/2	71, 72, 76, 73, 74, 75	4-3/4 (121)	7-9/16 (192)	9-7/8 (251)	5-3/4 (146)
	3	81, 82, 85, 83, 84	5-1/16 (129)	7-3/4 (197)	10-1/8 (257)	5-15/16 (151)

^a To find the corresponding flow coefficients for these port codes, refer to "Port Codes for Invensys Ball Valve Assemblies" on page 6.

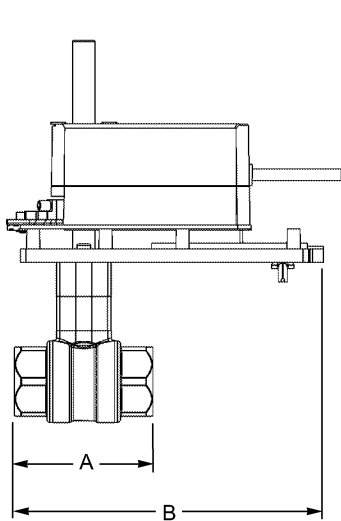


Figure-1 MX41-6043 or MX41-6083 with 2-Way Ball Valve.

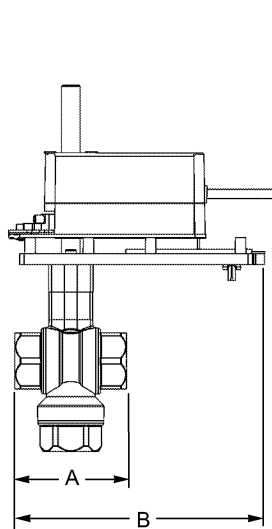
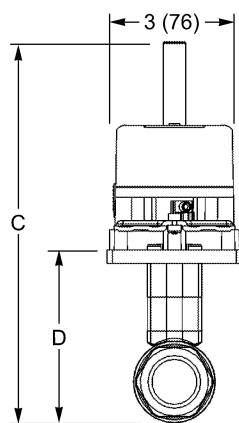


Figure-2 MX41-6043 or MX41-6083 with 3-Way Ball Valve.

3-Way Mixing Ball Valve Assembly Dimensions

Valve Assembly Part Number	Valve Size in.	P Code ^a	Valve Dimensions in inches (millimetres) (Refer to Figure-2)			
			A	B	C	D
3-Way VF-2313-505-9-P VF-2313-506-9-P VS-2313-505-9-P VS-2313-506-9-P	1/2	1, 2, 3, 4, 5, 6	2-5/8 (67)	6-1/2 (165)	9-1/8 (231)	5-5/8 (143)
	3/4	11, 12, 13, 14, 15, 16	2-5/8 (67)	6-1/2 (165)	9 (229)	5-1/4 (133)
	1	21, 22, 23, 24, 25, 28	3-3/4 (95)	7-1/4 (184)	9-1/2 (241)	6 (152)
		27, 30	3-1/16 (78)	6-3/4 (171)	9-1/2 (241)	6-1/4 (159)
		26, 29, 31	4-5/16 (110)	7-3/4 (197)	10-3/8 (264)	7-1/2 (191)
	1-1/4	42, 45	3 (76)	6-3/4 (171)	9-3/4 (248)	6-1/4 (159)
		41, 43, 44, 46	3-5/8 (92)	7-3/16 (182)	10-1/4 (260)	6-3/4 (171)
	1-1/2	51, 52, 53, 55	4-1/2 (114)	7-3/4 (197)	10-3/4 (273)	7-1/4 (184)
		54	4-1/16 (103)	7-1/16 (179)	11 (279)	7-3/4 (197)
		56	4-1/16 (103)	7-3/4 (197)	10-3/4 (273)	7-1/4 (184)
	2	61, 63	3-15/16 (100)	7-1/8 (181)	11 (279)	7-3/4 (197)
		62, 64	5 (127)	7-3/4 (197)	12-1/4 (311)	9-1/2 (241)

^a To find the corresponding flow coefficients for these port codes, refer to "Port Codes for Invensys Ball Valve Assemblies" on page 6.

Valve Assemblies with MF4D-608X and MS4D-608X Non-Spring Return EconoDrive Actuators

Actuator Specifications							
Inputs							
Control Signal and Power Requirements	All 24 Vac circuits are Class 2						
	Part Number	Control Signal	Voltage	Actuator Power Input			
				Running			Holding
			50/60 Hz		DC	50/60 Hz	
			VA	W	Amps	W	
	MF4D-6083-000	Floating	24 Vac ±20% or 20 to 30 Vdc	5.9	3.6	0.13	1.6
	MF4D-6083-100						
	MS4D-6083-000	2 to 10 Vdc ^a		5.2	2.7	0.10	1.4
	MS4D-6083-100	Proportional					
	MS4D-6083-020	0 to 3 Vdc					
	MS4D-6083-120	Proportional					
	MS4D-6083-030	6 to 9 Vdc					
	MS4D-6083-130	Proportional					
MS4D-6083-050	2 to 10 Vdc						
MS4D-6083-150	Proportional						
MS4D-6083-060	4 to 20 mAdc						
MS4D-6083-160	Proportional						
^a 4 to 20 mAdc with field-installed 500 Ω resistor.							
Connections	MX4D-6083-0X0: 3 ft. (0.9 m) long, appliance cables, 1/2 in. (13 mm) conduit connector. For M20 Metric conduit, use AM-756 adaptor. MX4D-6083-1X0: 3 ft. (0.9 m) long, plenum cables, 1/2 in. (13 mm) conduit connector. For M20 Metric conduit, use AM-756 adaptor.						
Motor Type	Brush DC.						
Outputs							
Electrical	Timing: Approx. 85 sec. at 70 °F (21 °C), measured with no load applied to actuator. Position Feedback Voltage: For 0 to 3 Vdc, 6 to 9 Vdc, and 2 to 10 Vdc proportional actuators, the feedback signal is the same voltage range as the input signal. The 4 to 20 mA proportional actuators and floating actuators have a 2 to 10 Vdc feedback signal. The feedback signal can supply up to 0.5 mA to operate up to four additional slave actuators.						
Mechanical	Stroke: 93° nominal. Manual Override: Allows positioning of valve shaft, using a manual crank. Output torque rating: 70 lb-in (6.6 N-m). RA/DA Jumper (Proportional Models): Permits selection of reverse acting or direct acting control. Position indicator: Visual indicator.						
Environment							
Temperature Limits	Shipping and storage: -40 to 160 °F (-40 to 71 °C) ambient. Operating: -22 to 140 °F (-30 to 60 °C) ambient.						
Humidity	15 to 95% RH, non-condensing.						
Locations	NEMA 1. NEMA 2, UL Type 2 (IEC IP54) with customer-supplied watertight conduit connectors. Enclosure is air plenum rated.						
Agency Listings (Actuator)							
UL	UL 873, Underwriters Laboratories (File #9429 Category Temperature-Indicating and Regulating Equipment). Plenum rated.						
European Community	EMC Directive (89/336/EEC). Low Voltage Directive (72/23/EEC). This product fits into Installation Category (Overvoltage Category) II per EN 61010-1.						
cUL	Canadian Standards C22.2 No. 24-93.						
Australia	This product meets requirements to bear the C-Tick Mark according to the terms specified by the Communications Authority under the Radiocommunications Act 1992.						

2-Way Ball Valve Assembly Dimensions

Valve Assembly Part Number	Valve Size in.	P Code ^a	Valve Dimensions in inches (millimetres) (Refer to Figure-3)			
			A	B	C	D
2-Way VF-2213-840-9-P VF-2213-841-9-P VS-2213-840-9-P thru VS-2213-849-9-P	1/2	1, 2, 3, 4, 5, 7	2-3/8 (60)	6-7/8 (175)	7-1/2 (190)	3-7/16 (87)
		6	3-11/32 (85)	7 (178)	8-5/16 (211)	3-11/16 (94)
	3/4	11, 12, 13, 14, 15, 17	2-5/8 (67)	6-7/16 (163)	7-3/4 (197)	3-7/16 (87)
		16, 18	2-5/8 (67)	6-5/8 (168)	7-3/4 (197)	3-11/16 (94)
	1	21, 23	3-1/16 (78)	7 (178)	8 (203)	4 (100)
		22, 25	3-3/4 (95)	7-3/8 (188)	7-7/8 (200)	3-11/16 (94)
		24, 26	4-5/16 (110)	7-5/8 (194)	8-5/8 (219)	4-1/2 (113)
		27	3-1/16 (78)	7-13/16 (200)	8 (203)	4 (100)
	1-1/4	41, 42, 43, 45	3 (76)	5-13/32 (112)	8-1/4 (210)	4 (100)
		44, 46	3-5/8 (92)	7-3/32 (180)	8-5/8 (219)	4-1/2 (113)
	1-1/2	51, 53	4-11/16 (119)	7-13/16 (198)	9-3/32 (231)	3-15/16 (100)
		52, 54	4-1/16 (103)	7-11/32 (186)	9-1/4 (235)	5-3/16 (132)
	2	61, 65	4-21/32 (118)	7-3/4 (196)	8-7/8 (225)	5-3/16 (132)
		63, 66, 67	4-15/16 (125)	7-5/8 (195)	9-7/8 (251)	5-3/4 (146)
	2-1/2	71, 72, 76, 73, 74, 75	4-3/4 (121)	7-7/8 (200)	9-7/8 (251)	5-3/4 (146)
	3	81, 82, 85, 83, 84	5-1/16 (129)	8 (203)	10-1/8 (257)	5-15/16 (151)

^a To find the corresponding flow coefficients for these port codes, refer to "Port Codes for Invensys Ball Valve Assemblies" on page 6.

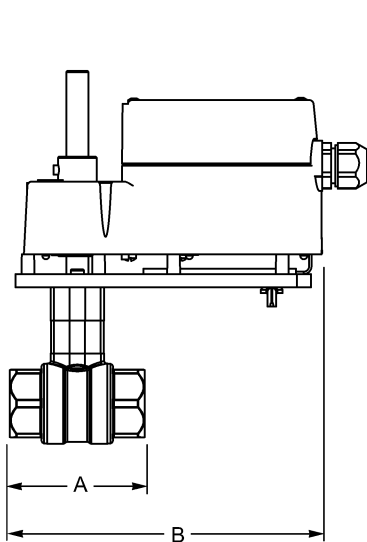


Figure-3 MF4D-608X, MS4D-608X with 2-Way Ball Valve.

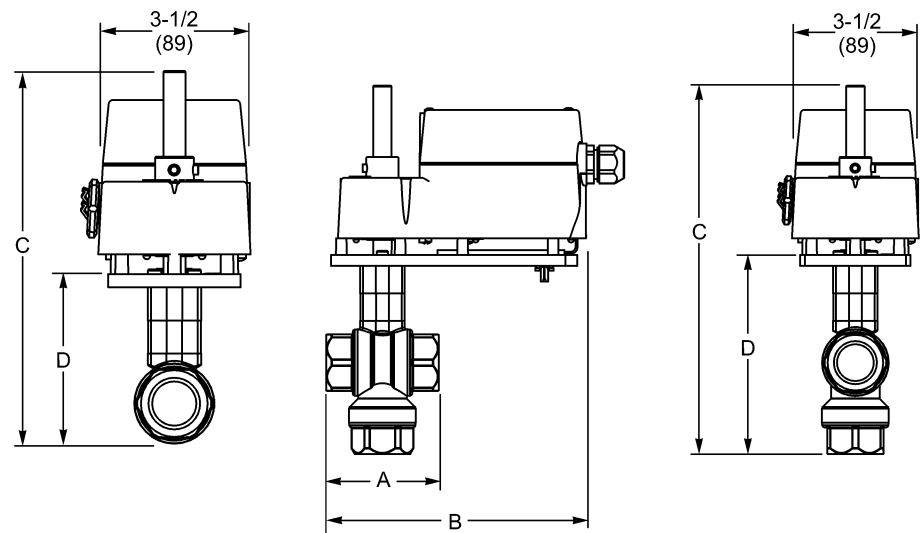


Figure-4 MF4D-608X, MS4D-608X with 3-Way Ball Valve.

3-Way Ball Valve Assembly Dimensions

Valve Assembly Part Number	Valve Size in.	P Code ^a	Valve Dimensions in inches (millimetres) (Refer to Figure-4)			
			A	B	C	D
3-Way VF-2313-840-9-P VF-2313-841-9-P VS-2313-840-9-P thru VS-2313-849-9-P	1/2	1, 2, 3, 4, 5, 6	2-5/8 (67)	6-3/4 (171)	9-1/8 (231)	5-5/8 (143)
	3/4	11, 12, 13, 14, 15, 16	2-5/8 (67)	6-7/8 (175)	9 (229)	5-1/4 (133)
	1	21, 22, 23, 24, 25, 28	3-3/4 (95)	7-1/2 (191)	9-1/2 (241)	6 (152)
		27, 30	3-1/16 (78)	7 (178)	9-1/2 (241)	6-1/4 (159)
		26, 29, 31	4-5/16 (110)	7 (178)	10-3/8 (264)	7-1/2 (191)
	1-1/4	42, 45	3 (76)	7 (178)	9-3/4 (248)	6-1/4 (159)
		41, 43, 44, 46	3-5/8 (92)	7-3/8 (188)	10-1/4 (260)	6-3/4 (171)
	1-1/2	51, 52, 53, 55	4-1/2 (114)	7-3/4 (197)	10-3/4 (273)	7-1/4 (184)
		54, 56	4-1/16 (103)	7-1/4 (184)	11 (279)	7-3/4 (197)
	2	61, 63	3-15/16 (100)	8-7/16 (214)	11 (279)	7-3/4 (197)
		62, 64	5 (127)	7-1/2 (191)	12-1/4 (311)	9-1/2 (241)

^a To find the corresponding flow coefficients for these port codes, refer to "Port Codes for Invensys Ball Valve Assemblies" on page 6.

Valve Assemblies with MF4E-60831 Non-Spring Return EconoDrive Actuators

Note: The MF4E-60831 is the only MF4E series EconoDrive model actuator used in the Invensys Ball Valve Assemblies.

Actuator Specifications				
Inputs				
Control Signal	Floating point control, 24 Vac +20% / -15%.			
Power Requirements	All 24 Vac circuits are Class 2.			
	Part Number	Voltage 50/60 Hz	Running	
			VA	
			50 Hz	60 Hz
	MF4E-60831	24 Vac +20% / -15%	1.0	1.0
Connections	Three-position screw terminal block. Integral strain relief bosses for use with a plenum cable. Optional terminal block cover AM-769 available.			
Motor Type	Synchronous.			
Outputs				
Electrical	Timing: Approx. 180 sec. at 60 Hz, 216 sec. at 50 Hz, for 90° stroke at 70 °F (21 °C).			
Mechanical	Stroke: 95° ±3°. Stroke limit is adjustable, 0° to 95°, in both clockwise (CW) and counterclockwise (CCW) directions.			
	Manual Override: Allows free shaft rotation to any position from 0° to 95°.			
	Output torque rating: 70 lb-in (6.6 N-m).			
	Position indicator: Visual indicator.			
Environment				
Temperature Limits	Shipping and storage: -40 to 160 °F (-40 to 71 °C) ambient. Operating: -22 to 140 °F (-30 to 60 °C) ambient.			
Humidity	5 to 95% RH, non-condensing.			
Locations	NEMA Type 1 (IEC IP30).			
Agency Listings (Actuator)				
UL	UL 873, Underwriters Laboratories (File #9429 Category Temperature-Indicating and Regulating Equipment). Plenum rated.			
European Community	EMC Directive EN 61326.			
cUL	Canadian Standards C22.2 No. 24-93.			
Australia	This product meets requirements to bear the C-Tick Mark according to the terms specified by the Communications Authority under the Radiocommunications Act 1992.			

2-Way Ball Valve Assembly Dimensions

Valve Assembly Part Number	Valve Size in.	P Code ^a	Valve Dimensions in inches (millimetres) (Refer to Figure-5)			
			A	B	C	D
2-Way VF-2213-647-9-P	1/2	1, 2, 3, 4, 5, 7	2-3/8 (60)	7-1/8 (181)	7-1/2 (190)	3-7/16 (87)
		6	3-11/32 (85)	6-7/8 (175)	8-5/16 (211)	3-11/16 (94)
	3/4	11, 12, 13, 14, 15, 17	2-3/8 (60)	7 (170)	7-3/4 (197)	3-7/16 (87)
		16, 18	2-5/8 (67)	7 (170)	7-3/4 (197)	3-11/16 (94)
	1	21, 23	3-1/16 (78)	7-1/4 (184)	8 (203)	4 (100)
		22, 25	3-3/4 (95)	7-9/16 (192)	7-7/8 (200)	3-11/16 (94)
		24, 26	4-5/16 (110)	7-7/8 (200)	8-5/8 (219)	4-1/2 (113)
		27	3-1/16 (78)	8 (203)	8 (203)	4 (100)
	1-1/4	41, 42, 43, 45	3 (76)	7-1/4 (184)	8-1/4 (210)	4 (100)
		44, 46	3-5/8 (92)	7-1/4 (184)	8-5/8 (219)	4-1/2 (113)
	1-1/2	51, 53	4-11/16 (119)	7-9/16 (192)	9-3/32 (231)	3-15/16 (100)
		52, 54	4-1/16 (103)	7-1/16 (179)	9-1/4 (235)	5-3/16 (132)
	2	61, 65	4-21/32 (118)	7-1/2 (191)	8-7/8 (225)	5-3/16 (132)
		63, 66, 67	4-15/16 (125)	7-7/16 (189)	9-7/8 (251)	5-3/4 (146)
	2-1/2	71, 72, 76, 73, 74, 75	4-3/4 (121)	7-9/16 (192)	9-7/8 (251)	5-3/4 (146)
	3	81, 82, 85, 83, 84	5-1/16 (129)	7-3/4 (197)	10-1/8 (257)	5-15/16 (151)

^a To find the corresponding flow coefficients for these port codes, refer to "Port Codes for Invensys Ball Valve Assemblies" on page 6.

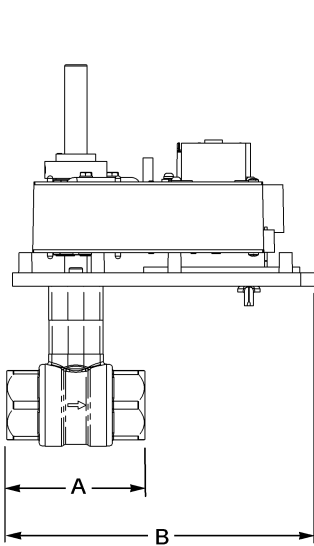


Figure-5 MF4E-60831 with 2-Way Ball Valve.

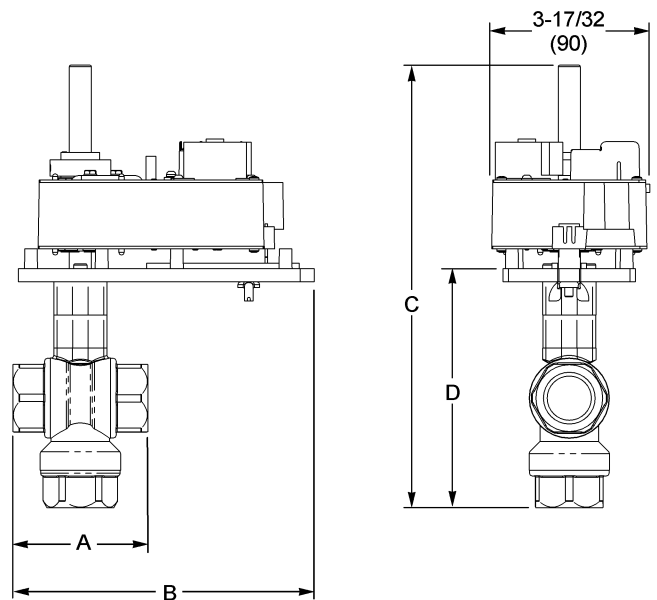
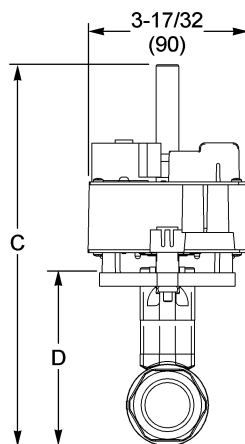


Figure-6 MF4E-60831 with 3-Way Ball Valve.

3-Way Ball Valve Assembly Dimensions

Valve Assembly Part Number	Valve Size in.	P Code ^a	Valve Dimensions in inches (millimetres) (Refer to Figure-6)			
			A	B	D	E
3-Way VF-2313-647-9-P	1/2	1, 2, 3, 4, 5, 6	2-5/8 (67)	7 (178)	9-1/8 (231)	5-5/8 (143)
	3/4	11, 12, 13, 14, 15, 16	2-5/8 (67)	7 (178)	9 (229)	5-1/4 (133)
	1	21, 22, 23, 24, 25, 28	3-3/4 (95)	7-11/16 (195)	9-1/2 (241)	6 (152)
		27, 30	3-1/16 (78)	7-1/4 (184)	9-1/2 (241)	6-1/4 (159)
		26, 29, 31	4-5/16 (110)	8-1/4 (210)	10-3/8 (264)	7-1/2 (191)
	1-1/4	42, 45	3 (76)	6-3/4 (171)	9-3/4 (248)	6-1/4 (159)
		41, 43, 44, 46	3-5/8 (92)	7-5/8 (194)	10-1/4 (260)	6-3/4 (171)
	1-1/2	51, 52, 53, 55	4-1/2 (114)	7-3/4 (197)	10-3/4 (273)	7-1/4 (184)
		54, 56	4-1/16 (103)	7-1/4 (184)	11 (279)	7-3/4 (197)
	2	61, 63	3-15/16 (100)	7-1/8 (181)	11 (279)	7-3/4 (197)
		62, 64	5 (127)	7-3/4 (197)	12-1/4 (311)	9-1/2 (241)

^a To find the corresponding flow coefficients for these port codes, refer to "Port Codes for Invensys Ball Valve Assemblies" on page 6.

Valve Assemblies with MX40-704X Spring Return DuraDrive Actuators

Note: The DuraLynx Ball Valve Assemblies use the basic MX41-6043, MX41-6083, and MX40-704X DuraDrive actuators. Specifications for actuators containing auxiliary switches are also provided here. Ball valve assemblies using the switch-equipped actuators may be field-assembled using ball valve body/linkage assemblies (VB-2X13-500-9-XX).

Actuator Specifications

Inputs																																																																						
Control Signal	<p>MA40-704X: ON/OFF SPST control contacts or Triacs (500 mA rated)</p> <p>MS40-7043: Proportional, 2 to 10Vdc or 4 to 20 mAdc with 500 Ohm resistor.</p> <p>MS40-7043 MP/MP5: Proportional 6 to 9 Vdc.</p> <p>MF40-7043: Floating point control, 24 Vac.</p>																																																																					
Power Requirements	<p>All 24 Vac circuits are Class 2.</p> <table border="1"> <thead> <tr> <th rowspan="3">Part Number</th> <th rowspan="3">Voltage 50/60 Hz</th> <th rowspan="3">Voltage Vdc</th> <th colspan="4">Running</th> <th colspan="2">Holding</th> </tr> <tr> <th colspan="2">50 Hz</th> <th colspan="2">60 Hz</th> <th>50 Hz</th> <th>60 Hz</th> </tr> <tr> <th>VA</th> <th>W</th> <th>VA</th> <th>W</th> <th>W</th> <th>W</th> </tr> </thead> <tbody> <tr> <td>MA40-7043</td> <td>24 Vac ± 20%</td> <td>22 to 30</td> <td>4.4</td> <td>2.9</td> <td>4.4</td> <td>2.9</td> <td>0.8</td> <td>0.8</td> </tr> <tr> <td>MS40-7043</td> <td>24 Vac ± 20%</td> <td>22 to 30</td> <td>5.6</td> <td>4.2</td> <td>5.6</td> <td>4.2</td> <td>2.4</td> <td>2.4</td> </tr> <tr> <td>MF40-7043</td> <td>24 Vac ± 20%</td> <td>22 to 30</td> <td>5.9</td> <td>4.4</td> <td>5.9</td> <td>4.4</td> <td>2.9</td> <td>2.9</td> </tr> <tr> <td>MS40-7043-MP</td> <td>24 Vac ± 20%</td> <td>22 to 30</td> <td rowspan="2">6.9</td> <td rowspan="2">5.0</td> <td rowspan="2">6.6</td> <td rowspan="2">5.0</td> <td rowspan="2">3.2</td> <td rowspan="2">3.2</td> </tr> <tr> <td>MS40-7043-MP5</td> <td>24 Vac ± 20%</td> <td>22 to 30</td> </tr> <tr> <td>MA40-7040</td> <td>120 Vac ± 10%</td> <td>—</td> <td>6.4</td> <td>3.8</td> <td>4.3</td> <td>3.4</td> <td>1.6</td> <td>1.2</td> </tr> </tbody> </table>	Part Number	Voltage 50/60 Hz	Voltage Vdc	Running				Holding		50 Hz		60 Hz		50 Hz	60 Hz	VA	W	VA	W	W	W	MA40-7043	24 Vac ± 20%	22 to 30	4.4	2.9	4.4	2.9	0.8	0.8	MS40-7043	24 Vac ± 20%	22 to 30	5.6	4.2	5.6	4.2	2.4	2.4	MF40-7043	24 Vac ± 20%	22 to 30	5.9	4.4	5.9	4.4	2.9	2.9	MS40-7043-MP	24 Vac ± 20%	22 to 30	6.9	5.0	6.6	5.0	3.2	3.2	MS40-7043-MP5	24 Vac ± 20%	22 to 30	MA40-7040	120 Vac ± 10%	—	6.4	3.8	4.3	3.4	1.6	1.2
Part Number	Voltage 50/60 Hz				Voltage Vdc	Running				Holding																																																												
						50 Hz		60 Hz		50 Hz	60 Hz																																																											
		VA	W	VA		W	W	W																																																														
MA40-7043	24 Vac ± 20%	22 to 30	4.4	2.9	4.4	2.9	0.8	0.8																																																														
MS40-7043	24 Vac ± 20%	22 to 30	5.6	4.2	5.6	4.2	2.4	2.4																																																														
MF40-7043	24 Vac ± 20%	22 to 30	5.9	4.4	5.9	4.4	2.9	2.9																																																														
MS40-7043-MP	24 Vac ± 20%	22 to 30	6.9	5.0	6.6	5.0	3.2	3.2																																																														
MS40-7043-MP5	24 Vac ± 20%	22 to 30																																																																				
MA40-7040	120 Vac ± 10%	—	6.4	3.8	4.3	3.4	1.6	1.2																																																														
Connections	<p>MA40-704X and MA40-704X-501: 3 ft. (0.9 m) long, appliance cables, 1/2 in. conduit connector. For M20 Metric conduit, use AM-756 adaptor.</p> <p>MF40-7043 and MF40-7043-501, MS40-7043 and MS40-7043-501: 3 ft. (0.9 m) long, plenum rated cables, 1/2 in. conduit connector. For M20 Metric conduit, use AM-756 adaptor.</p>																																																																					
Motor Type	<p>MA40-704X: Brush DC.</p> <p>MF40-7043, MS40-7043: Brushless DC.</p>																																																																					
Outputs																																																																						
Electrical	<p>Auxiliary Switches: Available when actuators are ordered as separate units. Auxiliary switches are not offered with factory ball valve assemblies.</p> <table border="0"> <tr> <td style="vertical-align: top;"> <p>MX40-7043-501 and MS40-7043-MP5 One auxiliary switch available. SPDT 6 A resistive @ 24 Vac, adjustable 0 to 95° (0 to 1 scale). Switch meets VDE requirements for 6 (1.5) A, 24 Vac.</p> </td> <td style="vertical-align: top;"> <p>MA40-7040-501 One auxiliary switch available. SPDT 6 A resistive @ 250 Vac, adjustable 0 to 95° (0 to 1 scale). Switch meets VDE requirements for 6 (1.5) A, 250 Vac.</p> </td> </tr> </table> <p>Position Feedback Voltage: 2 to 10 Vdc (maximum 0.7 mA) output signal for position feedback or operation of up to four slave actuators.</p> <p>Control Mode: Switch provided for selection of direct acting or reverse acting control mode on proportional models.</p> <p>Timing: MA-704X — Approx. 50 sec.; MF- and MS-7043 — Approx. 130 sec.</p> <p>Auxiliary Power Supply: MS40-7043-MP and MS40-7043-MP5 — +20 Vdc @ 25 mA (max.)</p>	<p>MX40-7043-501 and MS40-7043-MP5 One auxiliary switch available. SPDT 6 A resistive @ 24 Vac, adjustable 0 to 95° (0 to 1 scale). Switch meets VDE requirements for 6 (1.5) A, 24 Vac.</p>	<p>MA40-7040-501 One auxiliary switch available. SPDT 6 A resistive @ 250 Vac, adjustable 0 to 95° (0 to 1 scale). Switch meets VDE requirements for 6 (1.5) A, 250 Vac.</p>																																																																			
<p>MX40-7043-501 and MS40-7043-MP5 One auxiliary switch available. SPDT 6 A resistive @ 24 Vac, adjustable 0 to 95° (0 to 1 scale). Switch meets VDE requirements for 6 (1.5) A, 24 Vac.</p>	<p>MA40-7040-501 One auxiliary switch available. SPDT 6 A resistive @ 250 Vac, adjustable 0 to 95° (0 to 1 scale). Switch meets VDE requirements for 6 (1.5) A, 250 Vac.</p>																																																																					
Mechanical	<p>Stroke: Angle of rotation is limited to a maximum of 95°, with mechanical stop.</p> <p>Output torque rating: MX40-704X — 35 lb-in (4 N-m)</p> <p>Position indicator: Visual scale numbered from 0 to 90°, provided for position indication.</p>																																																																					
Environment																																																																						
Temperature Limits	<p>Shipping and storage: -40 to 160 °F (-40 to 71 °C) ambient.</p> <p>Operating: -22 to 140 °F (-30 to 60 °C) ambient.</p>																																																																					
Humidity	5 to 95% RH, non-condensing.																																																																					
Locations	NEMA Type 2 (IEC IP54)																																																																					
Agency Listings (Actuator)																																																																						
UL	UL 873, Underwriters Laboratories (File #9429 Category Temperature-Indicating and Regulating Equipment).																																																																					
European Community	EMC Directive (89/336/EEC). Low Voltage Directive (72/23/EEC).																																																																					
cUL	Canadian Standards C22.2 No. 24.																																																																					
Australia	This product meets requirements to bear the C-Tick Mark according to the terms specified by the Communications Authority under the Radiocommunications Act 1992.																																																																					

2-Way Ball Valve Assembly Dimensions

Valve Assembly Part Number	Valve Size in.	P Code ^a	Valve Dimensions in inches (millimetres) (Refer to Figure-7)			
			A	B	C	D
2-Way VA-2213-522-9-P VA-2213-526-9-P VA-2213-532-9-P VA-2213-536-9-P VF-2213-526-9-P VF-2213-536-9-P VS-2213-526-9-P VS-2213-536-9-P	1/2	1, 2, 3, 4, 5, 7	2-3/8 (60)	7-1/8 (181)	7-1/2 (190)	3-7/16 (87)
		6	3-11/32 (85)	7-3/8 (187)	8-5/16 (211)	3-11/16 (94)
	3/4	11, 12, 13, 14, 15, 17	2-3/8 (60)	7 (170)	7-3/4 (197)	3-7/16 (87)
		16, 18	2-5/8 (67)	7 (170)	7-3/4 (197)	3-11/16 (94)
	1	21, 23	3-1/16 (78)	7-1/4 (184)	8 (203)	4 (100)
		22, 25	3-3/4 (95)	7-9/16 (192)	7-7/8 (200)	3-11/16 (94)
		24, 26	4-5/16 (110)	7-7/8 (200)	8-5/8 (219)	4-1/2 (113)
		27	3-1/16 (78)	8 (203)	8 (203)	4 (100)
	1-1/4	41, 42, 43, 45	3 (76)	7-1/4 (184)	8-1/4 (210)	4 (100)
		44, 46	3-5/8 (92)	7-1/4 (184)	8-5/8 (219)	4-1/2 (113)
	1-1/2	51, 53	4-11/16 (119)	8-1/16 (205)	9-3/32 (231)	3-15/16 (100)
		52, 54	4-1/16 (103)	7-1/2 (190)	9-1/4 (235)	5-3/16 (132)
	2	61, 65	4-21/32 (118)	8 (203)	8-7/8 (225)	5-3/16 (132)
		63, 66, 67	4-15/16 (125)	7-7/8 (200)	9-7/8 (251)	5-3/4 (146)
	2-1/2	71, 72, 76, 73, 74, 75	4-3/4 (121)	8 (203)	9-7/8 (251)	5-3/4 (146)
	3	81, 82, 85, 83, 84	5-1/16 (129)	8-1/4 (210)	10-1/8 (257)	5-15/16 (151)

^a To find the corresponding flow coefficients for these port codes, refer to "Port Codes for Invensys Ball Valve Assemblies" on page 6.

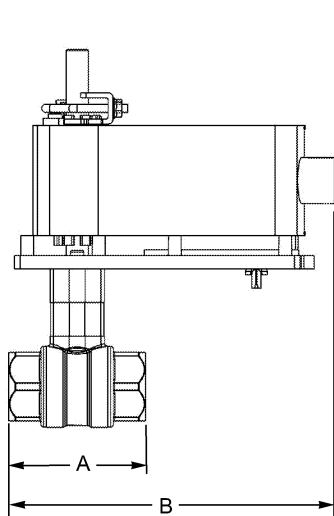


Figure-7 MX40-704X with 2-Way Ball Valve.

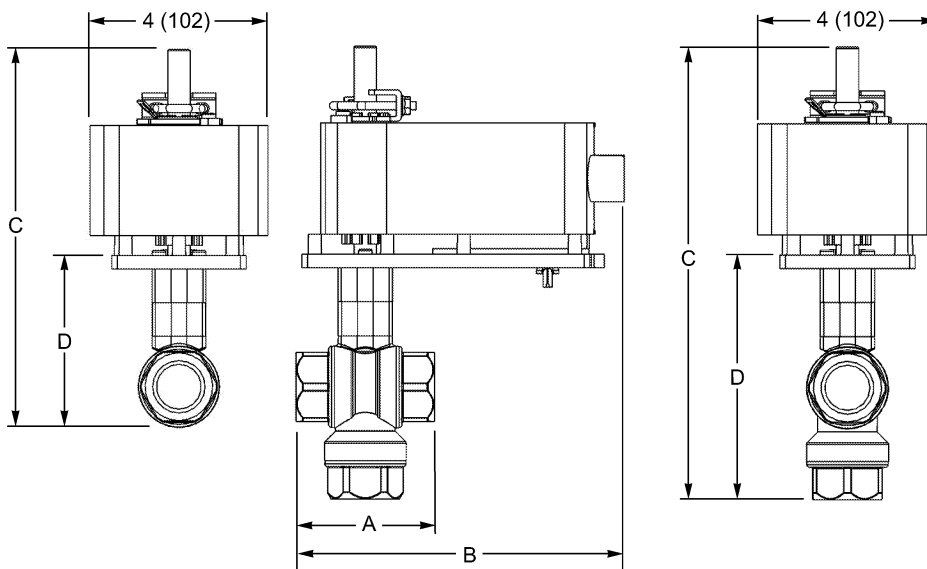


Figure-8 MX40-704X with 3-Way Ball Valve.

3-Way Ball Valve Assembly Dimensions

Valve Assembly Part Number	Valve Size in.	P Code ^a	Valve Dimensions in inches (millimetres) (Refer to Figure-8)			
			A	B	C	D
3-Way VA-2313-526-9-P VA-2313-536-9-P VF-2313-526-9-P VF-2313-536-9-P VS-2313-526-9-P VS-2313-536-9-P	1/2	1, 2, 3, 4, 5, 6	2-5/8 (67)	7 (178)	9-1/8 (231)	5-5/8 (143)
	3/4	11, 12, 13, 14, 15, 16	2-5/8 (67)	7 (178)	9 (229)	5-1/4 (133)
	1	21, 22, 23, 24, 25, 28	3-3/4 (95)	7-11/16 (195)	9-1/2 (241)	6 (152)
		27, 30	3-1/16 (78)	7-1/4 (184)	9-1/2 (241)	6-1/4 (159)
		26, 29, 31	4-5/16 (110)	8-1/4 (210)	10-3/8 (264)	7-1/2 (191)
	1-1/4	42, 45	3 (76)	7-1/4 (184)	9-3/4 (248)	6-1/4 (159)
		41, 43, 44, 46	3-5/8 (92)	7-5/8 (194)	10-1/4 (260)	6-3/4 (171)
	1-1/2	51, 52, 53, 55	4-1/2 (114)	8-1/4 (210)	10-3/4 (273)	7-1/4 (184)
		54, 56	4-1/16 (103)	7-1/16 (179)	11 (279)	7-3/4 (197)
	2	61, 63	3-15/16 (100)	7-9/16 (192)	11 (279)	7-3/4 (197)
		62, 64	5 (127)	8-1/4 (210)	12-1/4 (311)	9-1/2 (241)

^a To find the corresponding flow coefficients for these port codes, refer to "Port Codes for Invensys Ball Valve Assemblies" on page 6.

Valve Assemblies with MX4D-703X and MX4D-803X Spring Return EconoDrive Actuators

Actuator Specifications												
Inputs												
Control Signal and Power Requirements	All 24 Vac circuits are Class 2. All circuits 30 Vac and above are Class 1.											
	Part Number for MX4D-703X-XXX MX4D-803X-XXX	Control Signal	Voltage	Actuator Power Input			Holding 50/60 Hz					
				Running		DC Amps						
	50/60 Hz		VA	W	50/60 Hz							
						VA	W	W				
	MA4D-X033-000	2 Position SPST	24 Vac \pm 20% or 20 to 30 Vdc	5.1	3.6				0.14	1.3		
	MA4D-X033-100											
	MA4D-X030-000					120 Vac \pm 10% 50/60 Hz	7.8	5.0			—	2.5
	MA4D-X031-000					230 Vac \pm 10% 50/60 Hz	7.2	5.2			—	2.4
	MF4D-X033-000	Floating	24 Vac \pm 20% or 20 to 30 Vdc	6.8	4.2	0.15	1.9					
	MF4D-X033-100											
	MS4D-X033-000	2 to 10 Vdc ^a		24 Vac \pm 20% or 20 to 30 Vdc	6.1	3.4	0.12	1.4				
	MS4D-X033-100	Proportional										
	MS4D-X033-020	0 to 3 Vdc										
	MS4D-X033-120	Proportional										
	MS4D-X033-030	6 to 9 Vdc										
MS4D-X033-130	Proportional											
MS4D-X033-050	0 to 10 Vdc											
MS4D-X033-150	Proportional											
MS4D-X033-060	4 to 20 mAdc											
MS4D-X033-160	Proportional											
^a 4 to 20 mAdc with field-installed 500 Ω resistor.												
Connections	MX4D-703X-0X0 and MX4D-803X-0X0: 3 ft. (0.9 m) long, appliance cables, 1/2 in. (13 mm) conduit connector. For M20 Metric conduit, use AM-756 adaptor. MX4D-703X-1X0 and MX4D-803X-1X0: 3 ft. (0.9 m) long, plenum cables, 1/2 in. (13 mm) conduit connector. For M20 Metric conduit, use AM-756 adaptor.											
Motor Type	Brush DC.											
Outputs												
Electrical	Timing:	Part Number	Approx. Timing in Sec. @ 70 °F (21 °C) ^a									
			Powered						Spring Return			
		MA4D-703X		56	CCW ^b	CW ^b						
			26		—							
		MF4D-703X MS4D-703X	85	21	—							
		MA4D-803X	56	—	26							
		MF4D-803X MS4D-803X	85	—	21							
		^a Timing was measured with no load applied to actuator.										
^b CCW or CW as viewed from cover side of actuator.												
Position Feedback Voltage: For 0 to 3 Vdc, 0 to 9 Vdc, and 0 to 10 Vdc proportional actuators, the feedback signal is the same voltage range as the input signal. The 4 to 20 mA proportional actuators and floating actuators have a 2 to 10 Vdc feedback signal. The feedback signal can supply up to 0.5 mA to operate up to four additional slave actuators.												
Mechanical	Stroke: 93° nominal.											
	Manual Override: Allows positioning of valve shaft, using a manual crank.											
	Output torque rating: 30 lb-in (3.4 N-m).											
	RA/DA Jumper (Proportional Models): Permits selection of reverse acting or direct acting control.											
Position indicator: Visual indicator.												

Actuator Specifications (Continued)

Environment

Temperature Limits	Shipping and storage: -40 to 160 °F (-40 to 71 °C) ambient. Operating: -22 to 140 °F (-30 to 60 °C) ambient.
Humidity	15 to 95% RH, non-condensing.
Locations	NEMA 1, NEMA 2, UL Type 2 (IEC IP54) with customer-supplied watertight conduit connectors. Enclosure is air plenum rated.

Agency Listings (Actuator)

UL	UL 873, Underwriters Laboratories (File #9429 Category Temperature-Indicating and Regulating Equipment). Plenum rated.
European Community	EMC Directive (89/336/EEC). Low Voltage Directive (72/23/EEC). This product fits into Installation Category (Overvoltage Category) II per EN 61010-1.
cUL	Canadian Standards C22.2 No. 24-93.
Australia	This product meets requirements to bear the C-Tick Mark according to the terms specified by the Communications Authority under the Radiocommunications Act 1992.

2-Way Ball Valve Assembly Dimensions

Valve Assembly Part Number	Valve Size in.	P Code ^a	Valve Dimensions in inches (millimetres) (Refer to Figure-9)			
			A	B	C	D
2-Way VA-2213-815-9-P thru VA-2213-818-9-P VA-2213-820-9-P VA-2213-821-9-P VA-2213-830-9-P VA-2213-831-9-P	1/2	1, 2, 3, 4, 5, 7	2-3/8 (60)	6-7/8 (175)	7-1/2 (190)	3-7/16 (87)
		6	3-11/32 (85)	7 (178)	8-5/16 (211)	3-11/16 (94)
VA-2213-815-9-P thru VA-2213-818-9-P VA-2213-820-9-P VA-2213-821-9-P VA-2213-830-9-P VA-2213-831-9-P	3/4	11, 12, 13, 14, 15, 17	2-5/8 (67)	6-7/16 (163)	7-3/4 (197)	3-7/16 (87)
		16, 18	2-5/8 (67)	6-5/8 (168)	7-3/4 (197)	3-11/16 (94)
VF-2213-820-9-P VF-2213-821-9-P VF-2213-830-9-P VF-2213-831-9-P	1	21, 23	3-1/16 (78)	7 (178)	8 (203)	4 (100)
		22, 25	3-3/4 (95)	7-3/8 (188)	7-7/8 (200)	3-11/16 (94)
		24, 26	4-5/16 (110)	7-5/8 (194)	8-5/8 (219)	4-1/2 (113)
VS-2213-820-9-P thru VS-2213-839-9-P	1	27	3-1/16 (78)	7-13/16 (200)	8 (203)	4 (100)

^a To find the corresponding flow coefficients for these port codes, refer to "Port Codes for Invensys Ball Valve Assemblies" on page 6.

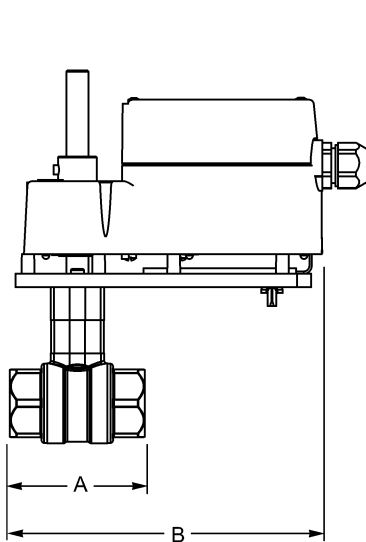


Figure-9 MA4D-703X, MF4D-703X, MS4D-703X, MA4D-803X, MF4D-803X, or MS4D-803X with 2-Way Ball Valve.

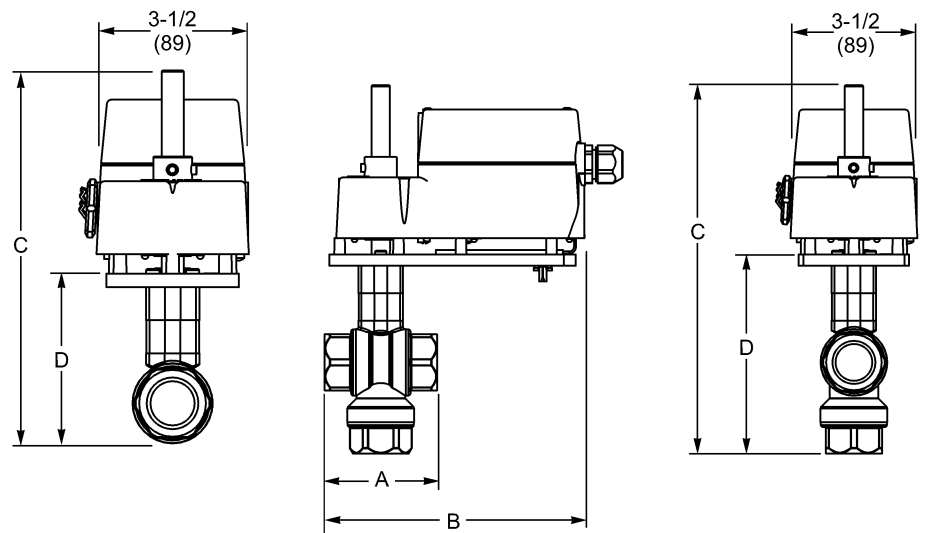


Figure-10 MA4D-703X, MF4D-703X, MS4D-703X, MA4D-803X, MF4D-803X, or MS4D-803X with 3-Way Ball Valve.

3-Way Ball Valve Assembly Dimensions

Valve Assembly Part Number	Valve Size in.	P Code ^a	Valve Dimensions in inches (millimetres) (Refer to Figure-10)			
			A	B	D	E
3-Way VA-2313-815-9-P thru VA-2313-818-9-P VA-2313-820-9-P VA-2313-821-9-P VA-2313-830-9-P VA-2313-831-9-P	1/2	1, 2, 3, 4, 5, 6	2-5/8 (67)	6-3/4 (171)	9-1/8 (231)	5-5/8 (143)
	3/4	11, 12, 13, 14, 15, 16	2-5/8 (67)	6-7/8 (175)	9 (229)	5-1/4 (133)
	1	21, 22, 23, 24, 25, 28	3-3/4 (95)	7-1/2 (191)	9-1/2 (241)	6 (152)
VF-2313-820-9-P VF-2313-821-9-P VF-2313-830-9-P VF-2313-831-9-P		27, 30	3-1/16 (78)	7 (178)	9-1/2 (241)	6-1/4 (159)
VS-2313-820-9-P thru VS-2313-839-9-P		26, 29, 31	4-5/16 (110)	7 (178)	10-3/8 (264)	7-1/2 (191)

^a To find the corresponding flow coefficients for these port codes, refer to "Port Codes for Invensys Ball Valve Assemblies" on page 6.

Installation Considerations

Mounting Angle of Valve Assembly

Be sure to allow the necessary clearance around the valve assembly. The valve assembly must be mounted so that the actuator is horizontally even with, or above, the valve. This ensures that any condensate that forms on the valve body will not travel into the actuator, where it may cause corrosion or electrical malfunction. See *VX-2X13-5XX-9-XX Series DuraLynx Ball Valve Assembly Installation Instructions, F-27087* or *MX4D-XXXX Series EconoDrive Rotary Overshaft Actuators General Instructions, F-27170*.

Piping

Figure-11 and Figure-12 illustrate 2-way and 3-way ball valve assembly piping.

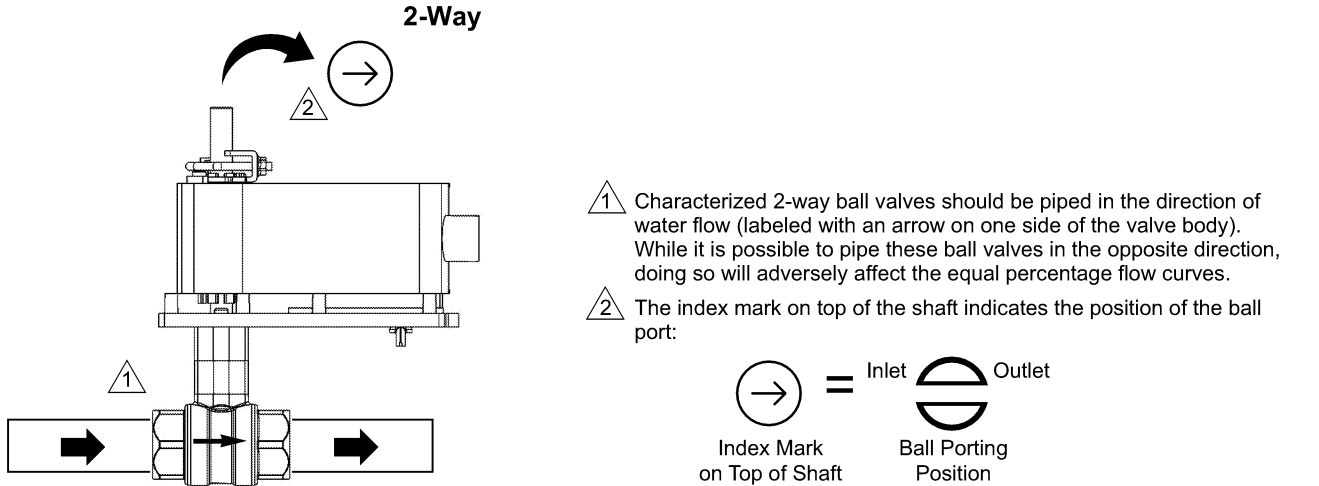


Figure-11 2-Way Valve Assemblies Piping Diagram.

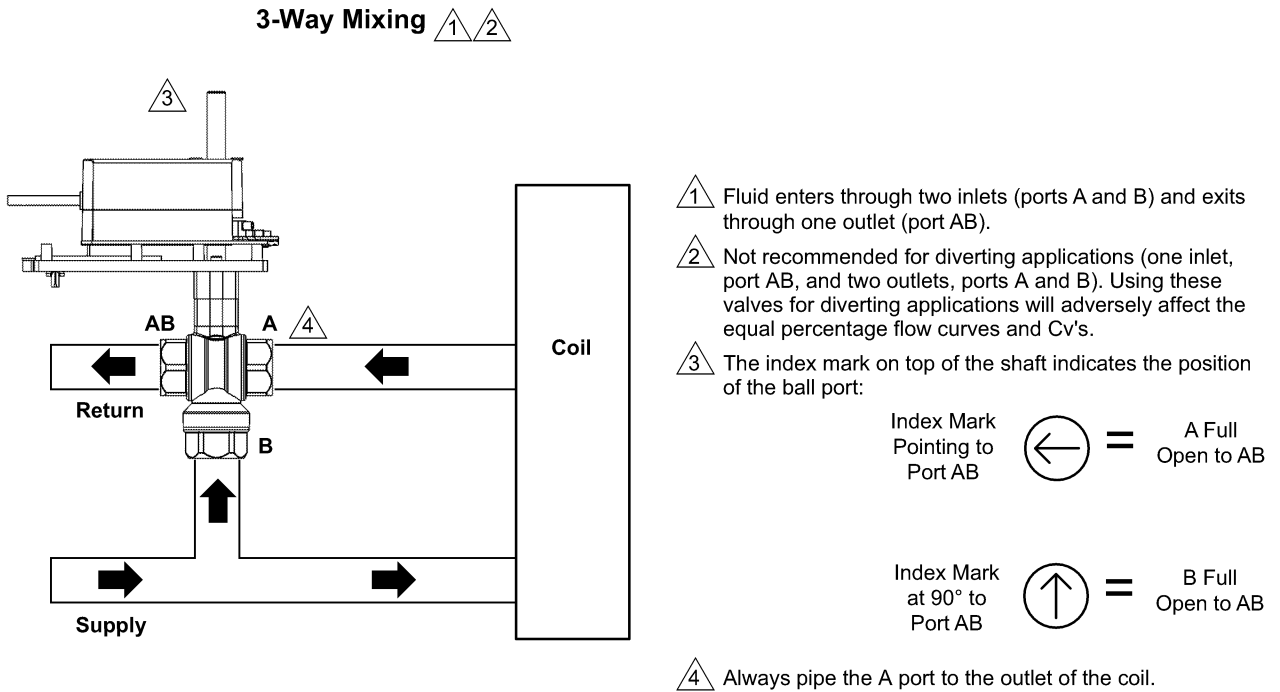


Figure-12 3-Way Mixing Valve Assemblies Piping Diagram.

Actuator Orientation on Ball Valve

If space limitations require it, the actuator and its mounting plate may be repositioned relative to the valve body, in 90° increments. Refer to the *Ball Valve Assembly Installation Instructions*, F-27087, for detailed instructions.

Insulation of Ball Valve Assembly

The ball valve should be completely insulated to minimize the effect of heat transfer and condensation at the actuator.

Caution: The actuator itself must not be insulated. Doing so can result in excess heat or condensation within the actuator.

Temperature Limits for Ball Valve Assembly

When installing the ball valve assembly, observe the minimum and maximum temperature limits. Refer to the valve and actuator specifications on pages 7, 12, 15, 18, 21, and 24.

Water System Maintenance

All heating and cooling systems are susceptible to valve and system problems caused by improper water treatment and system storage procedures. Durability of valve stems and packings is dependent on maintaining non-damaging water conditions. Inadequate water treatment or filtration, not in accordance with chemical supplier or ASHRAE handbook recommendations, can result in corrosion, scale, and abrasive particle formation. Scale and particulates can cause scratches in the stem and packing, and can adversely affect packing life and other parts of the hydronic system. Consult *EN-205, Water System Guidelines Engineering Information*, F-26080, for further details.

Sizing and Selection

Flow Coefficient (Cv)

When sizing a valve, you must select a flow coefficient (Cv), which is defined as the flow rate in gallons per minute (GPM) of 60 °F water that will pass through the fully open valve with a 1 psi pressure drop (ΔP). It is calculated according to this formula:

$$C_v = \frac{\text{gpm}}{\sqrt{\Delta P}}, \text{ where } \Delta P \text{ is measured in psi.}$$

Since the flow rate through the heat exchanger is usually specified, the only variable normally available in sizing a valve is the pressure drop. The following information in this section can be used to determine what pressure drop to use in calculating a valve Cv. Once you have calculated the Cv, consult Table-2 to select the valve body having the nearest available Cv.

Note: Metric equivalent.

- The metric measure of flow coefficient is k_{vs} , which is calculated according to the formula: $k_{vs} = \frac{m^3/h}{\sqrt{\Delta P}}$ (where ΔP is measured in bar; 1 bar = 100 kPa).
 - If the Cv is already known, it may be converted directly to its k_{vs} equivalent: $k_{vs} = \frac{C_v}{1.156}$.
-

Two-position Control

Two-position control valves are normally selected “line size” to keep pressure drop at a minimum. If it is desirable to reduce the valve below line size, then 10% of “available pressure” (that is, the pump pressure differential available between supply and return mains, with design flow at the valve location) is normally used to select the valve.

Flow Characterization for Proportional and Floating Control

The VX-2X13-XXX-9-XX series ball valve assemblies provide equal percentage flow, which is achieved with a flow characterizing insert (Figure-13). The parabolic shape of the orifice allows a gradual change in flow, so that equal movements of the valve stem, at any point of the flow range, change the existing flow an equal percentage, regardless of the flow rate. As shown in the graph in Figure-14, a ball valve equipped with the flow insert mirrors the flow characteristic of the coil, resulting in linear heat transfer.

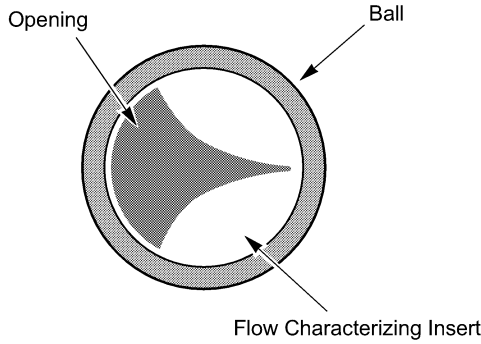


Figure-13 Flow Characterizing Insert

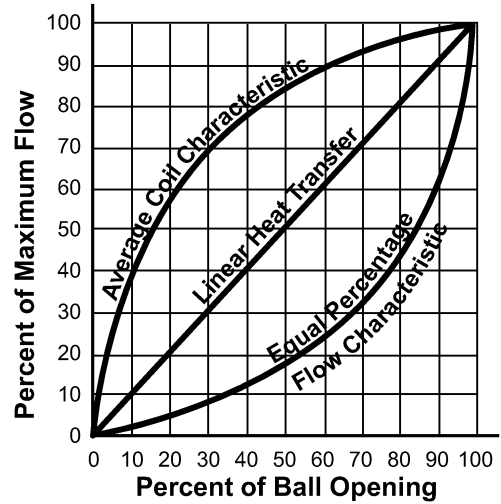


Figure-14 Equal Percentage Flow Control

Proportional control valves are usually selected to take a pressure drop equal to at least 50% of the “available pressure.” As “available pressure” is often difficult to calculate, the normal procedure is to select the valve using a pressure drop at least equal to the drop in the coil or other load being controlled (except where small booster pumps are used) with a minimum recommended pressure drop of 5 psi (34 kPa). When the design temperature drop is less than 60 °F (33 °C) for conventional heating systems, higher pressure drops across the valve are needed for good results (Table-8).

Table-8 Conventional Heating System.

Design Temperature Load Drop °F (°C)	Recommended Pressure Drop (% of Available Pressure)	Multiplier on Load Drop
60 (33) or More	50%	1 x Load Drop
40 (22)	66%	2 x Load Drop
20 (11)	75%	3 x Load Drop

Secondary Circuits with Small Booster Pumps: 50% of available pressure difference (equal to the drop through load, or 50% of the booster pump head).

3-Way Mixing Valves

3-way mixing valves used in variable flow applications (Figure-12) should be sized using the preceding guidelines. 3-way mixing valves used in constant flow applications (e.g. boiler bypass) should be sized to use 20% of “available pressure,” or equal to 25% of the pressure drop through the load at full flow.

Cavitation Limitations on Valve Pressure Drop

A valve selected with too high a pressure drop can cause erosion and/or wire drawing of the flow characterizing insert. In addition, cavitation can cause noise, damage to the valve trim (and possibly the body), and choke the flow through the valve.

Do not exceed the maximum differential pressure (pressure drop) for the valve selected. Refer to the chart in Figure-15.

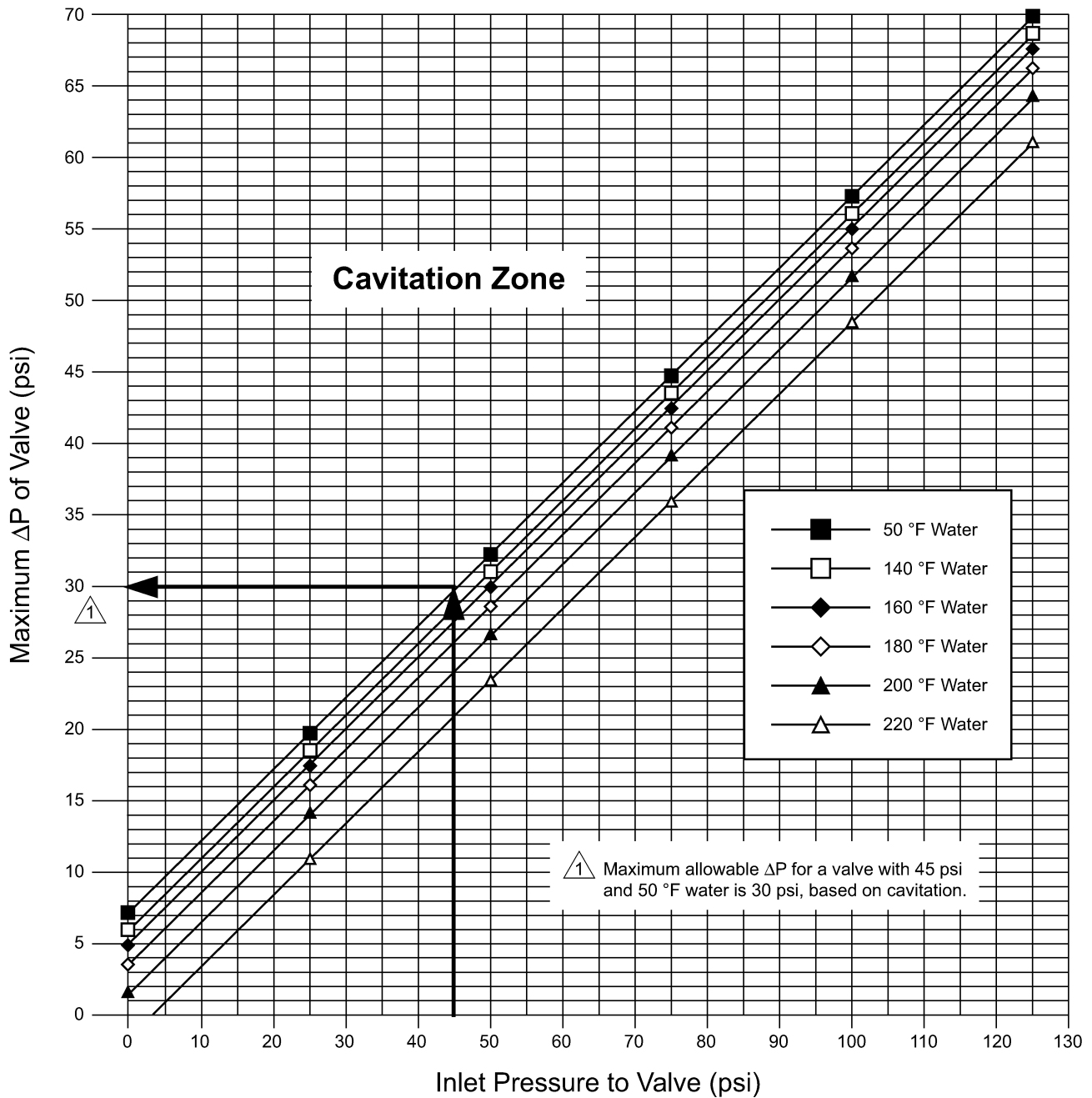


Figure-15 Maximum Allowable Differential Pressure (ΔP) for Water Valves.

Using Pipe Reducers with 2-Way Ball Valve Assemblies

The following table provides estimated effective C_v 's when using pipe reducers with 2-way ball valve assemblies. Use these estimated effective C_v 's in place of the rated C_v 's when reducers or increasers are located within 6 pipe diameters upstream and 3 pipe diameters downstream of the valve.



Warning: Do not reduce the valve size to less than one-half the line size, as this may weaken the pipe reduction area. Physical injury can result if the weakened piping fails.

Table-9 Estimated Effective C_v when Using Pipe Reducers with 2-Way Ball Valve Assemblies.

Valve Size (in.)	P Code	C_v	Estimated Effective C_v (k_{vs})											
			Pipe Size - inches (NPT)											
			1/2	3/4	1	1-1/4	1-1/2	2	2-1/2	3	4	5		
1/2	01	0.38	0.38 (0.33)	0.38 (0.33)	0.38 (0.33)	—	—	—	—	—	—	—	—	—
	02	0.68	0.68 (0.59)	0.68 (0.59)	0.68 (0.59)	—	—	—	—	—	—	—	—	—
	03	1.3	1.3 (1.12)	1.3 (1.12)	1.3 (1.12)	—	—	—	—	—	—	—	—	—
	04	2.6	2.6 (2.24)	2.5 (2.16)	2.5 (2.16)	—	—	—	—	—	—	—	—	—
	05	4.7	4.7 (4.06)	4.3 (3.71)	4.1 (3.54)	—	—	—	—	—	—	—	—	—
	06	8.0	8.0 (6.9)	6.5 (5.6)	5.7 (4.9)	—	—	—	—	—	—	—	—	—
	07	11.7 ^a	11.7 (10.1)	7.9 (6.8)	6.7 (5.8)	—	—	—	—	—	—	—	—	—
3/4	11	0.31	—	0.31 (0.27)	0.31 (0.27)	0.31 (0.27)	0.31 (0.27)	—	—	—	—	—	—	—
	12	0.63	—	0.63 (0.54)	0.63 (0.54)	0.63 (0.54)	0.63 (0.54)	—	—	—	—	—	—	—
	13	1.2	—	1.2 (1.04)	1.2 (1.04)	1.2 (1.04)	1.2 (1.04)	—	—	—	—	—	—	—
	14	2.5	—	2.5 (2.16)	2.5 (2.16)	2.5 (2.16)	2.5 (2.16)	—	—	—	—	—	—	—
	15	4.3	—	4.3 (3.71)	4.3 (3.71)	4.2 (3.63)	4.2 (3.63)	—	—	—	—	—	—	—
	16	10.1	—	10.1 (8.7)	9.6 (8.3)	9.1 (7.9)	8.8 (7.6)	—	—	—	—	—	—	—
	17	14.7 ^a	—	14.7 (12.7)	7.1 (6.1)	6.5 (5.6)	6.2 (5.4)	—	—	—	—	—	—	—
1	18	28.6 ^a	—	28.6 (24.7)	21.1 (18.2)	17.1 (14.8)	15.4 (13.3)	—	—	—	—	—	—	—
	21	4.4	—	—	4.4 (3.8)	4.4 (3.8)	4.4 (3.8)	4.4 (3.8)	—	—	—	—	—	—
	22	9.0	—	—	9.0 (7.8)	8.9 (7.4)	8.8 (7.6)	8.7 (7.5)	—	—	—	—	—	—
	23	15.3	—	—	15.3 (13.2)	14.9 (12.9)	14.4 (12.5)	13.8 (11.9)	—	—	—	—	—	—
	24	26.1	—	—	26.1 (22.5)	24.4 (21.1)	22.4 (19.4)	20.3 (17.5)	—	—	—	—	—	—
	25	28.4 ^a	—	—	28.4 (24.6)	26.2 (22.7)	23.8 (20.6)	21.4 (18.5)	—	—	—	—	—	—
	26	43.9 ^a	—	—	43.9 (38.0)	36.8 (31.8)	31.0 (26.8)	26.1 (22.6)	—	—	—	—	—	—
1-1/4	27	54.2 ^a	—	—	54.2 (46.8)	42.3 (36.6)	34.1 (29.5)	27.9 (24.1)	—	—	—	—	—	—
	41	4.4	—	—	—	4.4 (3.8)	4.4 (3.8)	4.4 (3.8)	4.4 (3.8)	—	—	—	—	—
	42	8.3	—	—	—	8.3 (7.2)	8.3 (7.2)	8.2 (7.1)	8.2 (7.1)	—	—	—	—	—
	43	14.9	—	—	—	14.9 (12.9)	14.8 (12.8)	14.5 (12.5)	14.3 (12.3)	—	—	—	—	—
	44	36.5	—	—	—	36.5 (31.6)	35.0 (30.3)	31.5 (27.2)	29.6 (25.6)	—	—	—	—	—
	45	41.1 ^a	—	—	—	41.1 (35.5)	39.0 (33.7)	34.3 (29.7)	31.9 (27.5)	—	—	—	—	—
1-1/2	46	102.3 ^a	—	—	—	102.3 (88.1)	79.1 (68.4)	53.3 (46.1)	45.5 (39.3)	—	—	—	—	—
	51	22.8	—	—	—	—	22.8 (19.7)	22.4 (19.4)	22.0 (19.0)	21.8 (18.9)	—	—	—	—
	52	41.3	—	—	—	—	41.3 (35.7)	39.3 (33.9)	37.2 (32.1)	36.0 (31.1)	—	—	—	—
	53	73.9 ^a	—	—	—	—	73.9 (63.9)	63.7 (55.1)	55.9 (48.4)	52.0 (45.0)	—	—	—	—
2	54	171.7 ^a	—	—	—	—	171.7 (148.5)	101.2 (87.5)	76.6 (66.3)	67.2 (58.0)	—	—	—	—
	61	41.7	—	—	—	—	—	41.7 (36.1)	41.2 (35.6)	40.6 (35.1)	39.7 (34.3)	—	—	—
	63	71.1	—	—	—	—	—	71.1 (61.4)	68.8 (59.5)	65.9 (57.0)	62.4 (53.9)	—	—	—
	65	108.0 ^a	—	—	—	—	—	108.0 (93.4)	100.3 (86.8)	92.0 (79.6)	83.0 (71.8)	—	—	—
	66	210.0	—	—	—	—	—	210.0 (181.7)	165.9 (143.5)	134.6 (116.4)	110.5 (95.6)	—	—	—
2-1/2	67	266.0 ^a	—	—	—	—	—	266.0 (229.7)	189.7 (164.1)	146.4 (126.6)	116.7 (100.8)	—	—	—
	71	45.0	—	—	—	—	—	—	45.0 (38.9)	43.6 (37.7)	42.5 (36.8)	42.0 (36.3)	—	—
	72	55.0	—	—	—	—	—	—	55.0 (47.5)	52.5 (45.3)	50.6 (43.7)	49.7 (42.9)	—	—
	73	72.3	—	—	—	—	—	—	72.3 (62.5)	66.6 (57.6)	63.0 (54.5)	61.2 (52.9)	—	—
	74	101.0	—	—	—	—	—	—	101.0 (87.4)	87.5 (75.7)	79.7 (68.9)	76.2 (65.9)	—	—
	75	162.0	—	—	—	—	—	—	162.0 (140.0)	119.0 (102.9)	101.3 (87.6)	94.3 (81.6)	—	—
3	76	202.0 ^a	—	—	—	—	—	—	202.0 (174.4)	132.4 (114.5)	109.3 (94.5)	100.6 (87.0)	—	—
	81	49.0	—	—	—	—	—	—	—	49.0 (42.4)	45.8 (39.6)	45.1 (39.0)	—	—
	82	63.0	—	—	—	—	—	—	—	63.0 (54.4)	56.7 (49.0)	55.5 (47.9)	—	—
	83	82.0	—	—	—	—	—	—	—	82.0 (70.9)	69.3 (59.9)	67.0 (58.0)	—	—
	84	124.0	—	—	—	—	—	—	—	124.0 (107.3)	89.7 (77.6)	84.7 (73.3)	—	—
85	145.0 ^a	—	—	—	—	—	—	—	145.0 (125.2)	96.8 (83.7)	90.6 (78.4)	—	—	

^a Denotes a full port valve, without the characterized insert.

Using Pipe Reducers with 3-Way Ball Valve Assemblies

The following table provides estimated effective C_v 's when using pipe reducers with 3-way ball valve assemblies. Use these estimated effective C_v 's in place of the rated C_v 's when reducers or increasers are located within 6 pipe diameters upstream and 3 pipe diameters downstream of the valve.



Warning: Do not reduce the valve size to less than one-half the line size, as this may weaken the pipe reduction area. Physical injury can result if the weakened piping fails.

Table-10 Estimated Effective C_v when Using Pipe Reducers with 3-Way Ball Valve Assemblies.

Valve Size (in.)	P Code	C_v (A Port)	Estimated Effective C_v (k_{vs})						
			Pipe Size - inches (NPT)						
			1/2	3/4	1	1-1/4	1-1/2	2	2-1/2
1/2	01	0.33	0.33 (0.29)	0.33 (0.29)	0.33 (0.29)	—	—	—	—
	02	0.59	0.59 (0.51)	0.59 (0.51)	0.59 (0.51)	—	—	—	—
	03	1.0	1.0 (0.86)	1.0 (0.86)	1.0 (0.86)	—	—	—	—
	04	2.4	2.4 (2.1)	2.3 (2.0)	2.3 (2.0)	—	—	—	—
	05	4.3	4.3 (3.7)	4.0 (3.5)	3.8 (3.3)	—	—	—	—
	06	8.0 ^a	8.0 (6.9)	7.9 (6.8)	5.7 (4.9)	—	—	—	—
3/4	11	0.40	—	0.40 (0.35)	0.40 (0.35)	0.40 (0.35)	0.40 (0.35)	—	—
	12	0.66	—	0.66 (0.57)	0.66 (0.57)	0.66 (0.57)	0.66 (0.57)	—	—
	13	1.3	—	1.3 (1.12)	1.3 (1.12)	1.3 (1.12)	1.3 (1.12)	—	—
	14	2.4	—	2.4 (2.1)	2.4 (2.1)	2.4 (2.1)	2.4 (2.1)	—	—
	15	3.8	—	3.8 (3.3)	3.8 (3.3)	3.74 (3.23)	3.7 (3.2)	—	—
	16	12.6 ^a	—	12.6 (10.9)	11.7 (10.1)	10.9 (9.4)	10.4 (9.0)	—	—
1	21	0.40	—	—	0.40 (0.35)	0.40 (0.35)	0.40 (0.35)	0.40 (0.35)	—
	22	0.65	—	—	0.65 (0.56)	0.60 (0.52)	0.60 (0.52)	0.60 (0.52)	—
	23	1.3	—	—	1.3 (1.1)	1.3 (1.1)	1.3 (1.1)	1.3 (1.1)	—
	24	2.3	—	—	2.3 (2.0)	2.3 (2.0)	2.3 (2.0)	2.3 (2.0)	—
	25	3.5	—	—	3.5 (3.0)	3.5 (3.0)	3.5 (3.0)	3.5 (3.0)	—
	26	4.5	—	—	4.5 (3.9)	4.5 (3.9)	4.5 (3.9)	4.5 (3.9)	—
	27	8.6	—	—	8.6 (7.4)	8.5 (7.3)	8.4 (7.2)	8.3 (7.2)	—
	28	10.0 ^a	—	—	10.0 (8.6)	9.9 (8.6)	9.7 (8.4)	9.6 (8.3)	—
	29	14.9	—	—	14.9 (12.9)	14.6 (12.6)	14.1 (12.2)	13.5 (11.7)	—
	30	22.3 ^a	—	—	22.3 (19.2)	21.2 (18.3)	19.9 (17.2)	18.4 (15.9)	—
31	30.8 ^a	—	—	30.8 (26.6)	28.0 (24.2)	25.2 (21.8)	22.3 (19.3)	—	
1-1/4	41	4.1	—	—	—	4.1 (3.5)	4.0 (3.5)	4.0 (3.5)	4.0 (3.5)
	42	7.7	—	—	—	7.7 (6.7)	7.7 (6.7)	7.6 (6.6)	7.6 (6.6)
	43	8.7	—	—	—	8.7 (7.5)	8.6 (7.4)	8.6 (7.4)	8.5 (7.4)
	44	12.7	—	—	—	12.7 (11.0)	12.6 (10.9)	12.4 (10.7)	12.3 (10.6)
	45	19.4 ^a	—	—	—	19.4 (16.8)	19.2 (16.6)	18.5 (16.0)	18.1 (15.7)
	46	34.1 ^a	—	—	—	34.1 (29.4)	32.9 (28.4)	29.9 (25.9)	28.3 (24.4)
1-1/2	51	4.0	—	—	—	—	4.0 (3.5)	4.0 (3.5)	4.0 (3.5)
	52	8.3	—	—	—	—	8.3 (7.2)	8.2 (7.1)	8.2 (7.1)
	53	13.4	—	—	—	—	13.4 (11.6)	13.3 (11.5)	13.2 (11.4)
	54	23.5	—	—	—	—	23.5 (20.3)	23.1 (19.9)	22.7 (19.6)
	55	32.0 ^a	—	—	—	—	32.0 (27.7)	31.0 (26.8)	30.0 (25.9)
	56	61.1 ^a	—	—	—	—	61.1 (52.8)	54.9 (47.5)	49.7 (43.0)
2	61	23.9	—	—	—	—	—	23.9 (20.7)	23.5 (20.3)
	62	38.2	—	—	—	—	—	38.2 (33.0)	37.8 (32.7)
	63	56.7 ^a	—	—	—	—	—	56.7 (49.0)	55.5 (47.9)
	64	108.5 ^a	—	—	—	—	—	108.5 (93.9)	100.7 (87.1)

^a Denotes a full port valve, without the characterized insert.